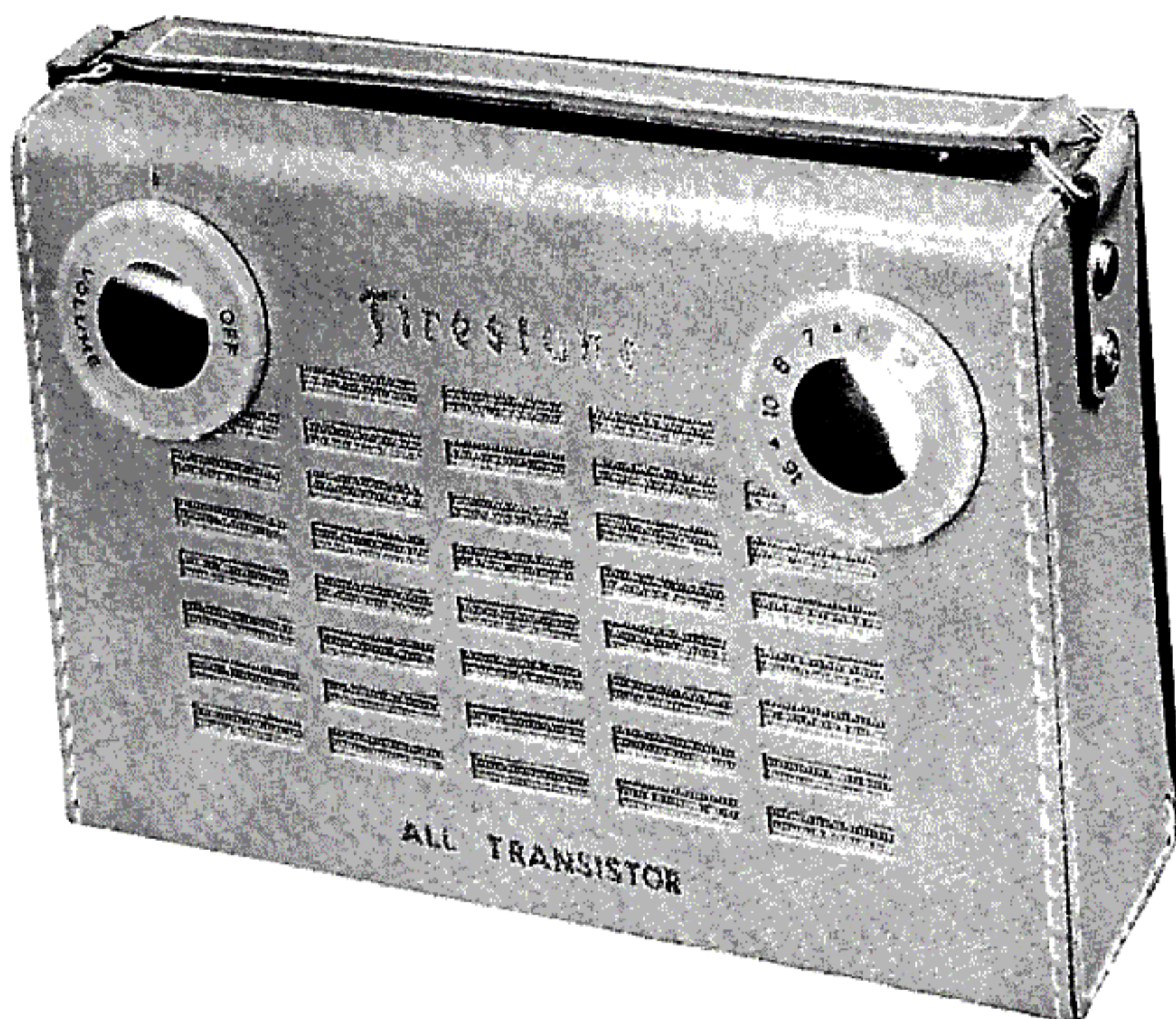
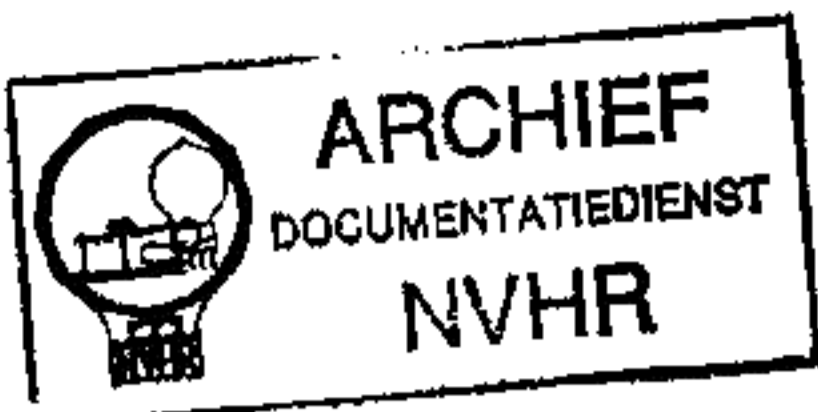


PHOTOFACT* Folder



FIRESTONE MODEL 4-C-
(Code 120-7-PTR15B)

Ned. Ver. v. Historie v/d Radio Met dank aan Jef Bos



TRADE NAME	Firestone Model 4-C-33 (Code 120-7-PTR15B)	
SUPPLIER	Firestone Tire and Rubber Co., 1200 Firestone Parkway, Akron, Ohio	
TYPE SET	Battery Operated Portable AM Transistorized Receiver	
POWER SUPPLY	9 Volts DC	RATING 6.8MA @9 Volts DC
TUNING RANGE—BROADCAST	540-1610KC	

ALIGNMENT INSTRUCTIONS—READ CAREFULLY BEFORE ATTEMPTING ALIGNMENT

Volume control should be at maximum position. Output of signal generator should be no higher than necessary to obtain an output reading. Use an insulated alignment screwdriver for adjusting.

DUMMY ANTENNA	SIGNAL GENERATOR COUPLING	SIGNAL GENERATOR FREQUENCY	RADIO DIAL SETTING	OUTPUT METER	ADJUST	REMARKS
1. .1mfd	High side to base of 2N411 (X1) Low side to chassis.	455 KC (400% Mod)	Tuning gang fully open	Across Voice Coil	A1, A2 A3	Adjustment for maximum output.
2. "	"	1610KC	"	"	A4.	"
3.	Loop	1400KC	Tune to 1400KC signal	"	A5	Fashion loop of several turns of wire and radiate signal into loop of receiver. Adjust for maximum output.

HOWARD W. SAMS & CO., INC. • Indianapolis 5, Indiana

The listing of any available replacement part herein does not constitute in any case a recommendation, warranty or guaranty by Howard W. Sams & Co., Inc., as to the quality and suitability of such replacement part. The numbers of these parts have been compiled from information furnished to Howard W. Sams & Co., Inc., by the manufacturers of H369

the particular type of replacement part listed. Reproduction or use, without express permission, of editorial or pictorial content, in any manner, is prohibited. No patent liability is assumed with respect to the use of the information contained herein. © 1958 Howard W. Sams & Co., Inc., Indianapolis 5, Indiana. Printed in U.S. of America

PARTS LIST AND DESCRIPTIONS

TRANSISTORS

ITEM No.	ORIG. TYPE	USE	REPLACEMENT DATA				NOTES
			CBS PART No.	RCA PART No.	RAYTHEON PART No.	SYLVANIA PART No.	
X1	2N411	Converter		2N411	2N486		
X2	2N409	1st IF Amplifier		2N409	2N483		
X3	2N409	2nd IF Amplifier		2N409	2N483		
X4	2N405	Driver	2N180	2N405	CK872	2N382	
X5	2N407	Output	2N180	2N407	CK878	2N383	
X6	2N407	Output	2N180	2N407	CK878	2N383	

ELECTROLYTIC CAPACITORS

ITEM No.	RATING		REPLACEMENT DATA						NOTES
	CAP.	VOLT.	Firestone PART No.	AEROVOX PART No.	CORNELL-DUBILIER PART No.	MALLORY PART No.	PYRAMID PART No.	SANGAMO PART No.	
C1	10	50	20-106-01	PWE50010	NL10-50	TT50X10	ML10-50		TE-1304
C2	50	10	20-506	PWE10050	NL50-10	TT10X50	ML50-15		R2305*
C3	10	50	20-106-01	PWE50010	NL10-50	TT50X10	ML10-50		TE-1304
C4	50	10	20-506	PWE10050	NL50-10	TT10X50	ML50-15		R2305*
C5	50	10	20-506	PWE10050	NL50-10	TT10X50	ML50-15		R2305*

*Non Catalog Item

FIXED CAPACITORS

Capacity values given in the rating column are in mfd. for Paper Capacitors, and in mmfd. for Mica and Ceramic Capacitors.

ITEM No.	RATING		REPLACEMENT DATA						NOTES	
	CAP.	VOLT	Firestone PART No.	AEROVOX PART No.	CENTRALAB PART No.	CORNELL-DUBILIER PART No.	ERIE PART No.	MALLORY PART No.		SPRAGUE PART No.
C6	10000		15-103	BPD-01	DD-103	BYA6S1	ED-01	DC511	5HK-S1	NPO ① NPO 5% NPO 5%
C7	50000		15-503	BPD-05	DF-503				TG-S50	
C8	5			NP0-D15	TCZ-4R7	C10V5C	TC0-5	ZT-555	5TCCB-V5	
C9	.047	200	30-473-2	P288N-047	DF-503	CUB2S47		GEM-4147	2TM-S47	
C10	9		15-9G							
C11	.047	200	30-473-2	P288N-047	DF-503	CUB2S47		GEM-4147	2TM-S47	
C12	.047	200	30-473-2	P288N-047	DF-503	CUB2S47		GEM-4147	2TM-S47	
C13	3		15-3G							
C14	.047	200	30-473-2	P288N-047	DF-503	CUB2S47		GEM-4147	2TM-S47	
C15	50000		15-503	BPD-05	DF-503				TG-S50	
C16	10000		15-103	BPD-01	DD-103	BYA6S1	ED-01	DC511	TG-S10	
C17	3000		15-302	BPD-003	DD-302	BYA10D3	ED-003	UC-523	5GA-D3	
C18	50000		15-503	BPD-05	DF-503	BYA6S1			TG-S50	

① Not used in some versions.

CONTROLS

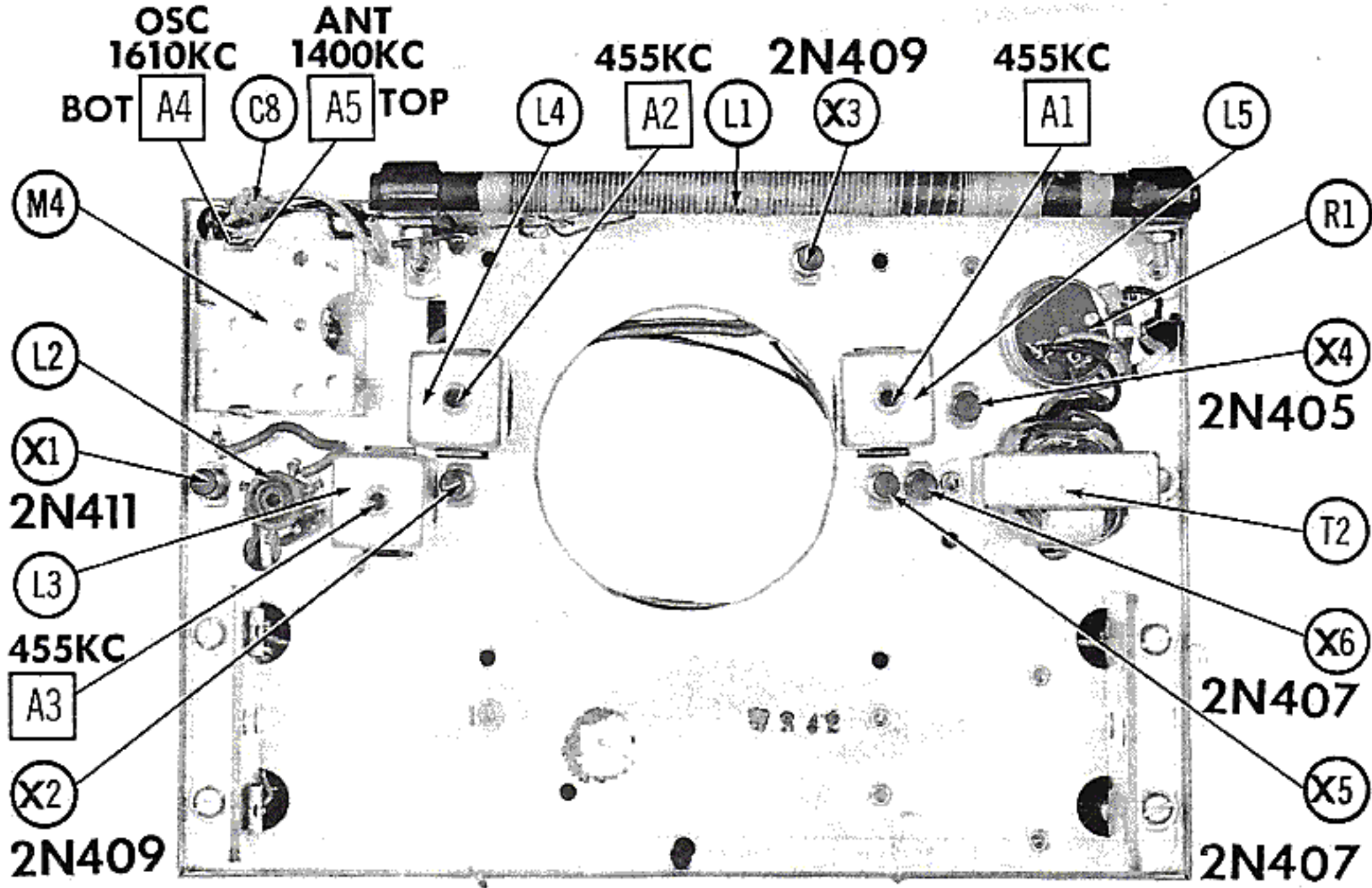
ITEM No.	RATING		REPLACEMENT DATA				INSTALLATION NOTES	
	RESISTANCE	WATTS	Firestone PART No.	CENTRALAB PART No.	CLAROSTAT PART No.	IRC PART No.		MALLORY PART No.
RIA B	10K Switch	$\frac{1}{2}$	80A635	B-15 KB-1*		Q13-116 76-1	U-18 US-26	Volume

*Use KB-1 on Blue Label control; use KR-1 on Red Label control

RESISTORS

All wattages 1/2 watt, or less, unless otherwise listed.

ITEM No.	RATING		Firestone PART No.	NOTES	ITEM No.	RATING		Firestone PART No.	NOTES
	OHMS	WATT				OHMS	WATT		
R2	6800Ω		60-682S		R11	1000Ω		60-102S	
R3	18K		60-183S		R12	220K		60-224S	
R4	1000Ω		60-102S		R13	8200Ω		60-822S	
R5	3900Ω		60-392S		R14	47K		60-473S	
R6	12K		60-123S		R15	680 Ω		60-681S	
R7	3300Ω		60-332S		R16	120Ω 5%		60-121S	
R8	560Ω		60-561S		R17	6800Ω		60-682S	
R9	4700Ω		60-472S		R18	4.7Ω		60-470S	
R10	27K		60-273S		R19	470Ω		60-471S	



PARTS LIST AND DESCRIPTIONS (Continued)

TRANSFORMER (DRIVER)

ITEM No.	TURNS RATIO		REPLACEMENT DATA						NOTES	
			Firestone PART No.	Halldorson PART No.	Merit PART No.	Ram PART No.	Stancor PART No.	Thordarson PART No.		Triad PART No.
	PRI.	SEC.								
T1	3:	1	75A787							

TRANSFORMER (AUDIO OUTPUT)

ITEM No.	IMPEDANCE		REPLACEMENT DATA						NOTES	
			Firestone PART No.	Halldorson PART No.	Merit PART No.	Ram PART No.	Stancor PART No.	Thordarson PART No.		Triad PART No.
	PRI.	SEC.								
T2	560Ω	3-4 Ω	75A788 ①							① Alternate Part #78A788

SPEAKER

ITEM No.	TYPE			REPLACEMENT DATA		NOTES
				Firestone PART No.	QUAM PART No.	
	SIZE	FIELD	V. C. IMP.			
SPI	5"	PM	3-4Ω	73B637A ①	5A15	① Alternate Part Number 73B657

COILS (RF-IF)

ITEM No.	USE	REPLACEMENT DATA					NOTES
		Firestone PART No.	Meissner PART No.	Merit PART No.	Miller PART No.	Ram PART No.	
L1	Loop Stick	10A675A					
L2	Osc. Coil	14A767					
L3	1st IF	14-18					
L4	2nd IF	14-19					
L5	3rd IF	14-20					

BATTERIES

ITEM No.	VOLTAGE	Firestone PART No.	REPLACEMENT DATA								NOTES
			BURGESS		EVEREADY		MALLORY		RAY-O-VAC		
			"A"	"B"	"A"	"B"	"A"	"B"	"A"	"B"	
M1	1.5V		2R		950		M-13		2LP		6 Required

CRYSTAL DIODES

ITEM No.	ORIG. TYPE	REPLACEMENT DATA			NOTES
		Firestone PART No.	CBS PART No.	SYLVANIA PART No.	
M2	IN295	IN295	IN60	IN60	Clamper (Pig Tail) AM Detector (Pig Tail)
M3	IN295	IN295	IN60	IN60	

MISCELLANEOUS

ITEM No.	PART NAME	Firestone PART No.	NOTES
M4	Tuning Cap.	35A634	2Gang (Pnt. 19-240mmf, Osc. 19-120mmf)

CABINETS & CABINET PARTS

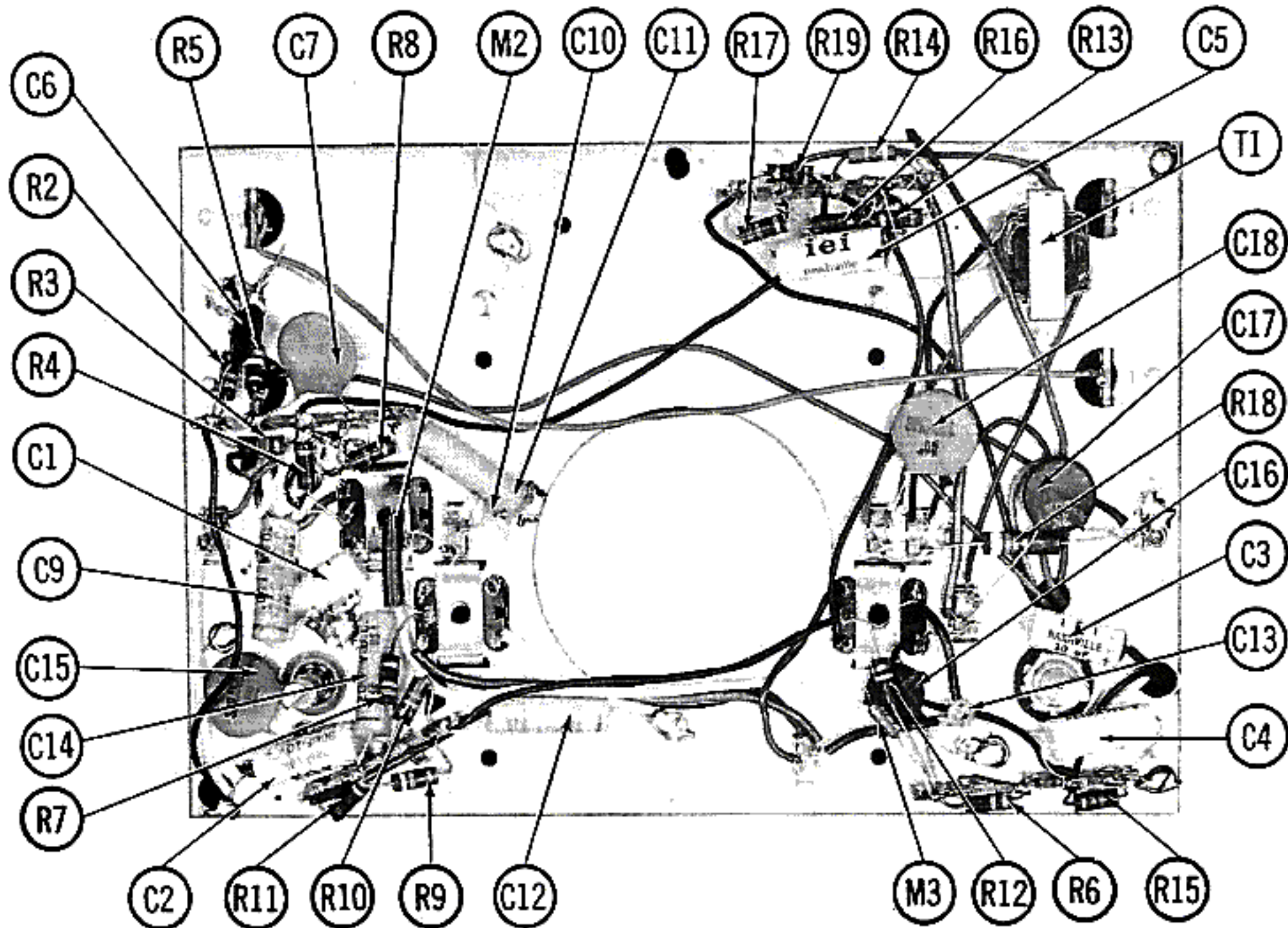
(When Ordering Cabinets & Cabinet Parts, Specify Model, Chassis & Color)

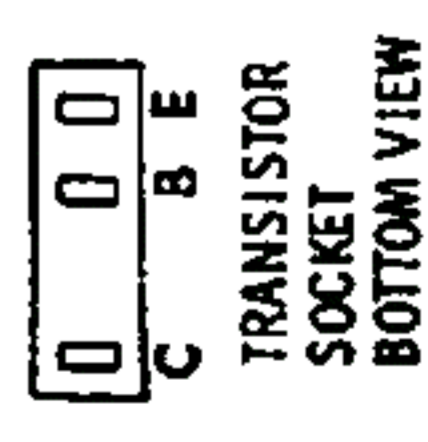
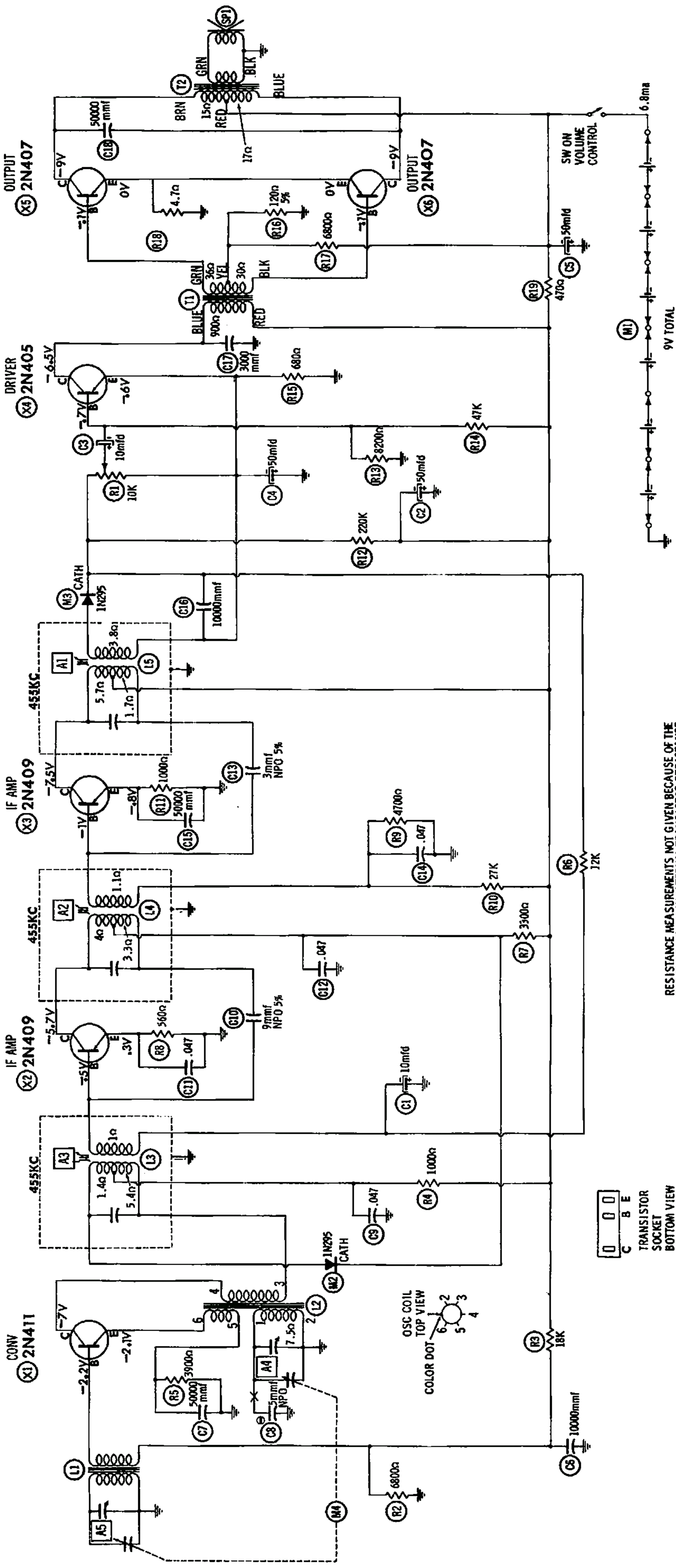
NAME	PART NO.	DESCRIPTION
Knob	47B629	Tuning On-Off-Volume.
Knob	47B629-1	
Case	50-15	

WIRING DATA

General-use Unshielded Hook-up Wire Use BELDEN No. 8530 (Solid) Available in Ten Colors
8524 (Stranded) Available in Ten Colors

CHASSIS—BOTTOM VIEW





RESISTANCE MEASUREMENTS NOT GIVEN BECAUSE OF THE WIDE VARIATION IN INTERNAL TRANSISTOR RESISTANCE

1. DC voltage measurements taken with vacuum tube voltmeter.
2. Socket connections are shown as bottom views.
3. Measured values are from socket pin to common negative.
4. Nominal tolerance on component values makes possible a variation of $\pm 15\%$ in voltage and resistance readings.
5. Volume control at maximum, no signal applied for voltage measurements.

A PHOTOFAC T STANDARD NOTATION SCHEMATIC
Howard W. Sams & Co., Inc. 1958

SEE PARTS LIST FOR ALTERNATE VALUE OR APPLICATION
DC COIL RESISTANCE VALUES UNDER ONE OHM NOT SHOWN ON SCHEMATIC DIAGRAM