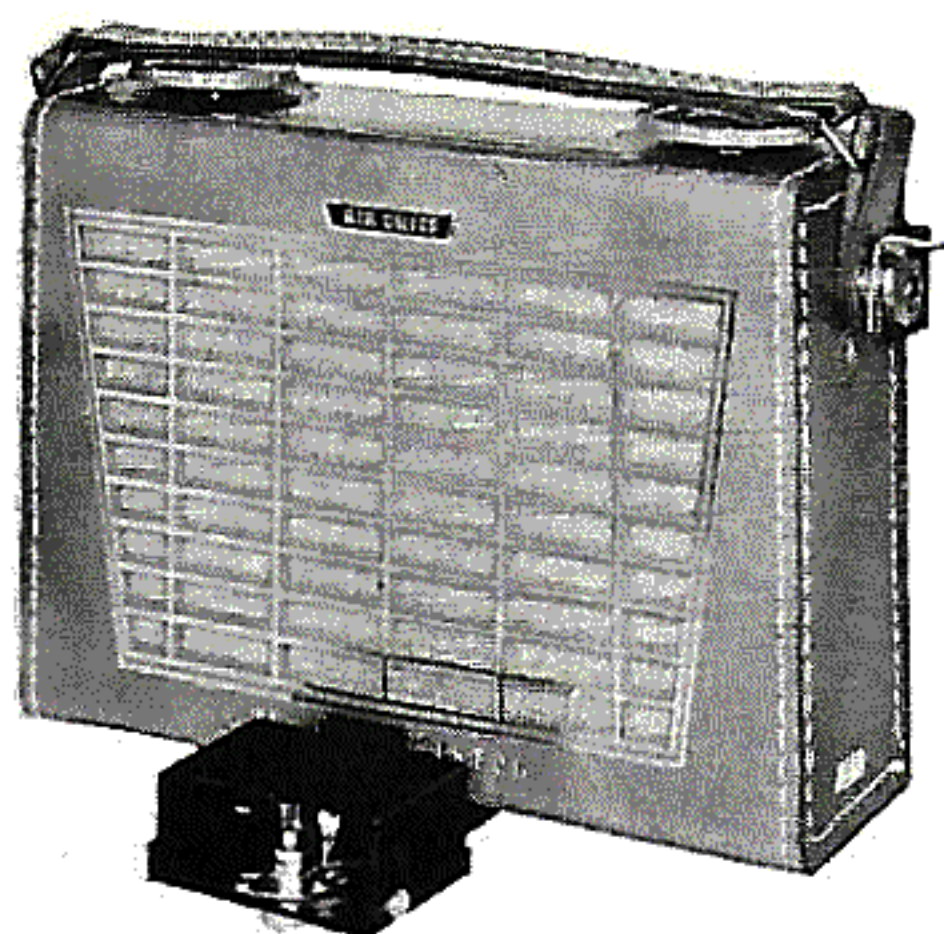


Met dank aan Jef Bos



TRADE NAME : Air Chief Model 3-V-80
(Code 120-1-PA52L)

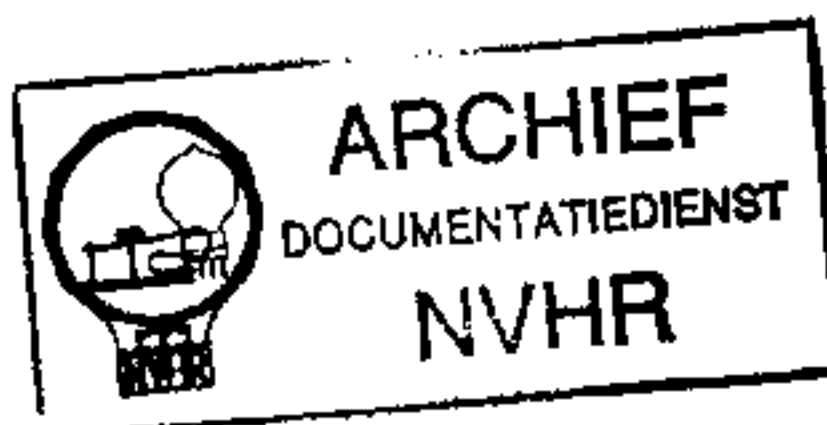
SUPPLIER : Firestone Tire & Rubber Co.,
1200 Firestone Parkway, Akron 17, Ohio

TYPE SET : 6 Transistor AM Receiver

POWER SUPPLY : 9 Volts DC

RATING : 8MA @ 9VDC (No Signal, Min. Volume)
25MA @ 9VDC (Signal, Normal Volume)

TUNING RANGE: BROADCAST 535 - 1620KC
Ned. Ver. v. Historie v/d Radio



ALIGNMENT INSTRUCTIONS

Check for specified source voltage.
Fashion loop of several turns of wire and connect generator across loop.
Adjust output of generator to radiate only enough signal into receiver to obtain a suitable indication.
Suggested Alignment Tools:
A1, A2, A3, A5, A8. GENERAL CEMENT #8282, 8606
WALSCO #2526, 2543
A4, A6, A7. GENERAL CEMENT #5000, 5066, 8290
WALSCO #2525
A7 & A8 are adjusted in "Auto" position.

	SIGNAL GENERATOR FREQUENCY	RADIO DIAL SETTING	INDICATOR	ADJUST	REMARKS
1.	455KC (400% Mod.)	Tuning gang fully open.	Output Meter across voice coil.	A1, A2, A3	Adjust for maximum. Repeat as required.
2.	1620KC	"	"	A4	Adjust for maximum.
3.	600KC	Tune to Signal.	"	A5	Rock tuning gang and adjust for maximum. Repeat steps 2 and 3.
4.	1400KC	"	"	A6, A7	Adjust for maximum.
5.	1000KC	"	"	A8	"

With radio connected to car antenna, readjust A7 for maximum output.

WIRING DATA

General-use Unshielded Hook-up Wire	Use BELDEN No. 8530 (Solid 22AWG)	Available
	8524 (Stranded 22AWG)	in
	8570 (Stranded 26AWG)	12 Colors

TRANSISTORS

ITEM No.	ORIG. TYPE	USE	REPLACEMENT DATA			NOTES
			DELCO PART No.	GENERAL ELECTRIC PART No.	RCA PART No.	
X1	RS684	Converter	DS-25	GE-1		PNP
X2	RS685	1st IF Amplifier	DS-25	GE-1		PNP
X3	RS685	2nd IF Amplifier	DS-25	GE-1		PNP
X4	RS686	Driver	DS-26	GE-2	2N406	PNP
X5	RS687	Output	DS-26	GE-2	2N408	PNP
X6	RS687	Output	DS-26	GE-2	2N408	PNP

ELECTROLYTIC CAPACITORS

ITEM No.	RATING		REPLACEMENT DATA						
	CAP.	VOLT.	AIR CHIEF PART No.	AEROVOX PART No.	CORNELL-DUBILIER PART No.	GENERAL ELECTRIC PART No.	GENERAL INSTRUMENT PART No.	MALLORY PART No.	SPRAGUE PART No.
C1A	50	10		PTT45	NLW50-10	MTI-16	MLV50-10	TT10X50	TE-1119
B	50	10		PTT45	NLW50-10	MTI-16	MLV50-10	TT10X50	TE-1119
C2	10	10	20-106	PTT39	NLW10-10	MTI-5	MLV10-10	TT12X10	TE-1114
C3	10	10	20-106	PTT39	NLW10-10	MTI-5	MLV10-10	TT12X10	TE-1114
C4	50	10		PTT45	NLW50-10	MTI-16	MLV50-10	TT10X50	TE-1119

FIXED CAPACITORS

ITEM No.	RATING	REMARKS	REPLACEMENT DATA						
			AEROVOX PART No.	CENTRALAB PART No.	CORNELL-DUBILIER PART No.	ELMENCO PART No.	MALLORY PART No.	SPRAGUE PART No.	
C5		#CT-580							
C6	.01		TTD-01	CK-103	H2		TA-110	TG-S10	
C7	.047 200V		P288N-047	DD-503	CUB4S47	4DP-3-473	GEM-4147	2TM-S47	
C8	.047 200V		P288N-047	DD-503	CUB4S47	4DP-3-473	GEM-4147	2TM-S47	
C9	.047 200V		P288N-047	DD-503	CUB4S47	4DP-3-473	GEM-4147	2TM-S47	
C10	9 NPO 5%		NPO-DI 10	DTZ-10	C10Q1C	CCTO-100	CNO-410	10TCC-Q10	
C11	.047 200V		P288N-047	DD-503	CUB4S47	4DP-3-473	GEM-4147	2TM-S47	
C12	.047 200V		P288N-047	DD-503	CUB4S47	4DP-3-473	GEM-4147	2TM-S47	
C13	.047 100V				CUB4S47	4DP-2-473	BT-150	2TM-S47	
C14	3 NPO +.25mmf		NPO-DI 3.0	DTZ-3R3	C10V3C	CCTO-3R3	CNO-533	10TCC-V30	
C15	.01		TTD-01	CK-103	H2		TA-110	TG-S10	
C16	.003	Note 1		DM-302					
C17	.47 100V	(.1) †	P288N-47		CUB2P47	IDP-4-474	GEM-2047	2TM-P47	
C18	5	Note 1	NPO-DI 5.0	DTZ-4R7	C10V5C	CCTO-050	CNO-547	10TCC-V50	

Air Chief Part Number.

† Alternate Value.

Note 1. Not used in some versions.

CONTROLS

All wattages 1/2 watt, or less, unless otherwise listed.

ITEM No.	USE	RESISTANCE	REPLACEMENT DATA					
			AIR CHIEF PART No.	CENTRALAB PART No.	CLAROSTAT PART No.	CTS-IRC PART No.	MALLORY PART No.	
R1	Volume & Switch	10K	80A635C	B-15, KR-1 or (F2-10K, KR-1, SU204)			Q13-116, 76-1	UA14L, SL-3500 US41 or U-18, US26

DESCRIPTION

COILS (RF-IF)

ITEM No.	USE	REPLACEMENT DATA					NOTES
		AIR CHIEF PART No.	MERIT PART No.	MILLER PART No.	STANCOR PART No.	WORKMAN PART No.	
L1	Ant. Load Choke (6.2uh)	75A1636	BC-565	4610	RTC8520	T859	
L2	Ant. Coil	14A1634					
L3	Loopstick Assy.	10A875A					
L4	Osc.	14A767					
L5	1st IF	14-18					
L6	2nd IF	14-19					
L7	3rd IF	14-20					

TRANSFORMER (DRIVER)

ITEM No.	TURNS RATIO		REPLACEMENT DATA					NOTES
			AIR CHIEF PART No.	MERIT PART No.	STANCOR PART No.	THORDARSON PART No.	TRIAD PART No.	
	PRI.	SEC.						
T1	2.2	1	78A787C					TY-56X

TRANSFORMER (AUDIO OUTPUT)

ITEM No.	IMPEDANCE		REPLACEMENT DATA					NOTES
			AIR CHIEF PART No.	MERIT PART No.	STANCOR PART No.	THORDARSON PART No.	TRIAD PART No.	
	PRI.	SEC.						
T2	100Ω CT	3-4Ω	75A1561	A-2749				TY-30X ① ① Use 4Ω secondary tap

SPEAKER

ITEM No.	TYPE	REPLACEMENT DATA		NOTES
		AIR CHIEF PART No.	QUAM PART No.	
SP1	4 5/8" PM 3-4Ω	73B636	5A070R5A1	

BATTERIES

ITEM No.	VOLTAGE	AIR CHIEF PART No.	REPLACEMENT DATA			NOTES
			BURGESS	EVEREADY	MALLORY	
M1	9		230 (or AL-2)	A100 (or E95)	M-13R (or MN1300)	6 Required

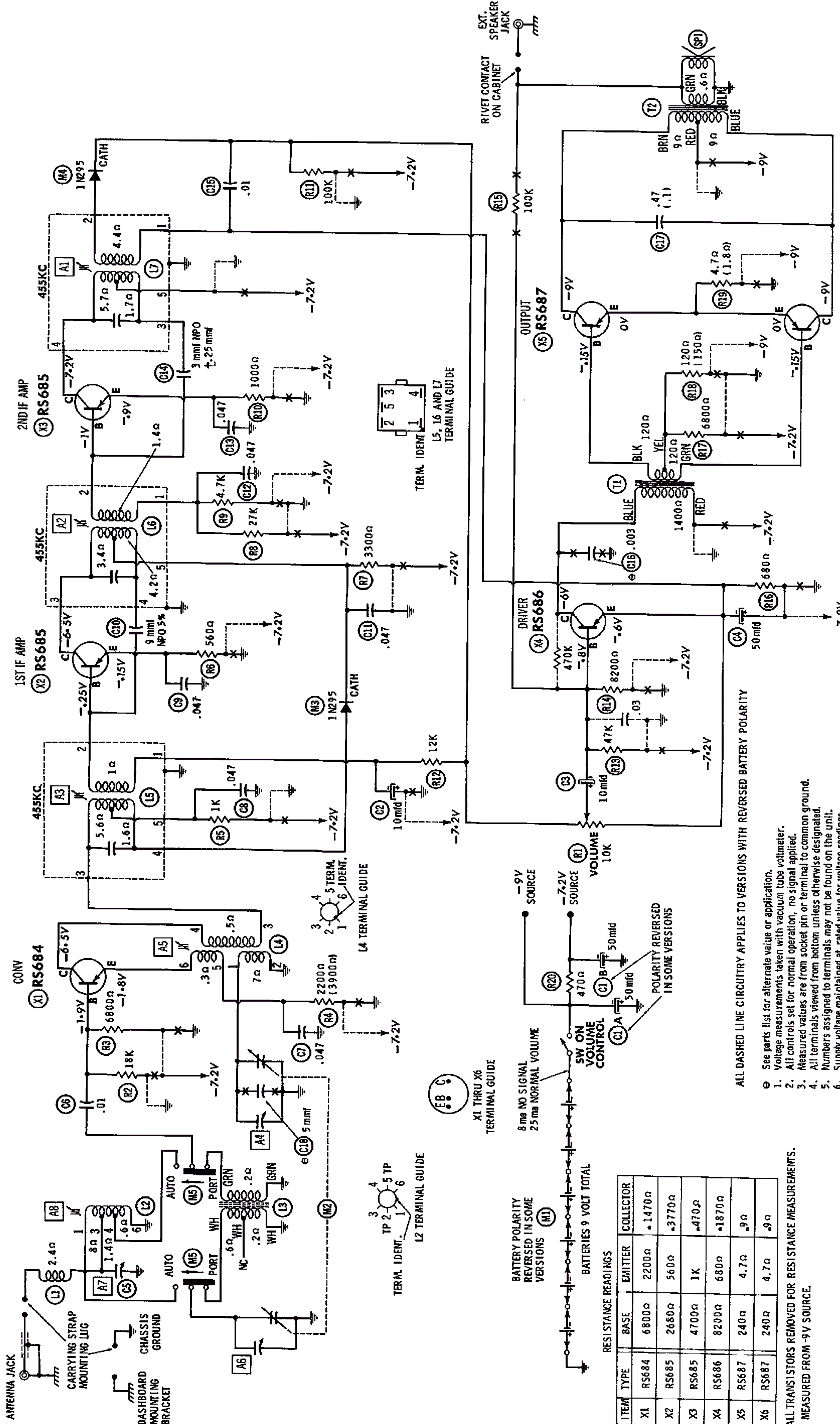
MISCELLANEOUS

ITEM No.	PART NAME	AIR CHIEF PART No.	NOTES
M2	Tuning Cap.	35A1652	
M3	Overload (1N295)		
M4	Detector (1N295)		
M5	Switch (Auto-Port)	94A1637	

CABINETS & CABINET PARTS

(When Ordering Specify Model, Chassis & Color)

ITEM	PART No.	ITEM	PART No.
Knob - Tuning	47B629-2	Cabinet - Leather	50C1549
Knob - Volume	47B629-1		



RESISTANCE READINGS

ITEM	TYPE	BASE	EMITTER	COLLECTOR
X1	RS684	6800Ω	2200Ω	•1470Ω
X2	RS685	2680Ω	560Ω	•3770Ω
X3	RS685	4700Ω	1K	•470Ω
X4	RS686	8200Ω	680Ω	•1870Ω
X5	RS687	240Ω	4.7Ω	•9Ω
X6	RS687	240Ω	4.7Ω	•9Ω

ALL TRANSISTORS REMOVED FOR RESISTANCE MEASUREMENTS. MEASURED FROM -9V SOURCE.

ALL DASHED LINE CIRCUITRY APPLIES TO VERSIONS WITH REVERSED BATTERY POLARITY

- ⊖ See parts list for alternate value or application.
- 1. Voltage measurements taken with vacuum tube voltmeter.
- 3. Measured values are from socket pin or terminal to common ground.
- 4. All terminals viewed from bottom unless otherwise designated.
- 5. Numbers assigned to terminals may not be found on the unit.
- 6. Supply voltage maintained at rated value for voltage readings.

