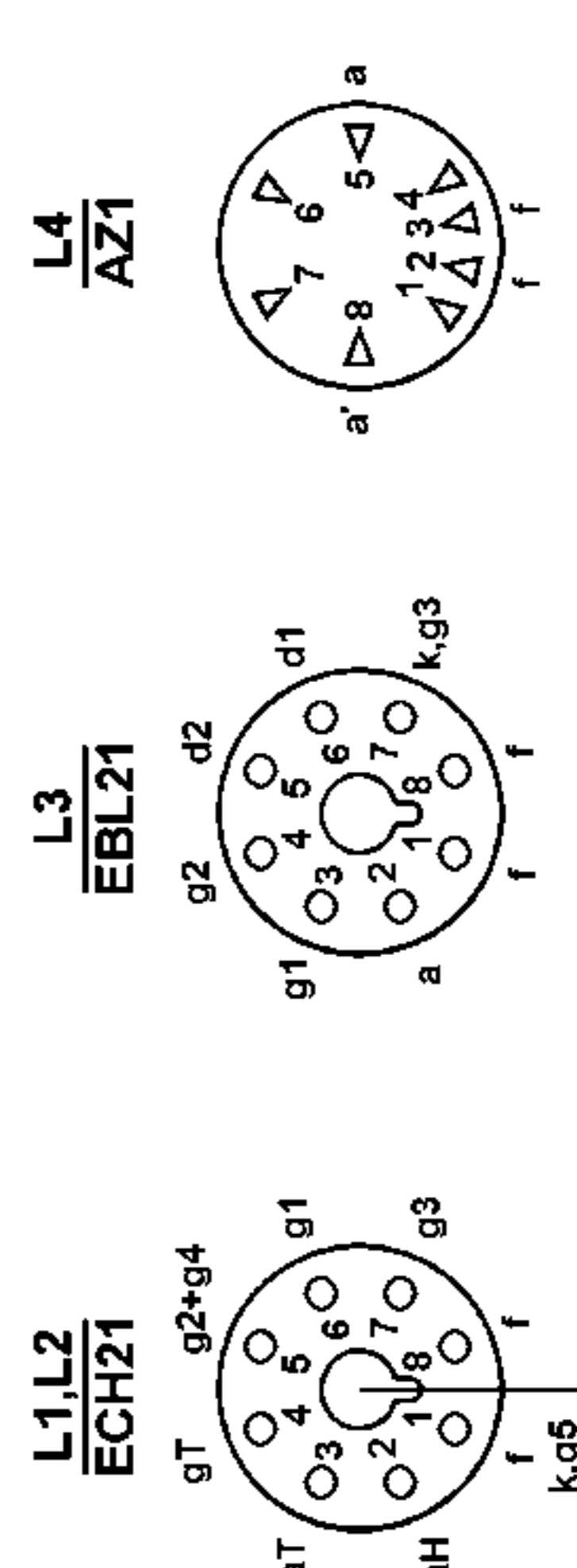
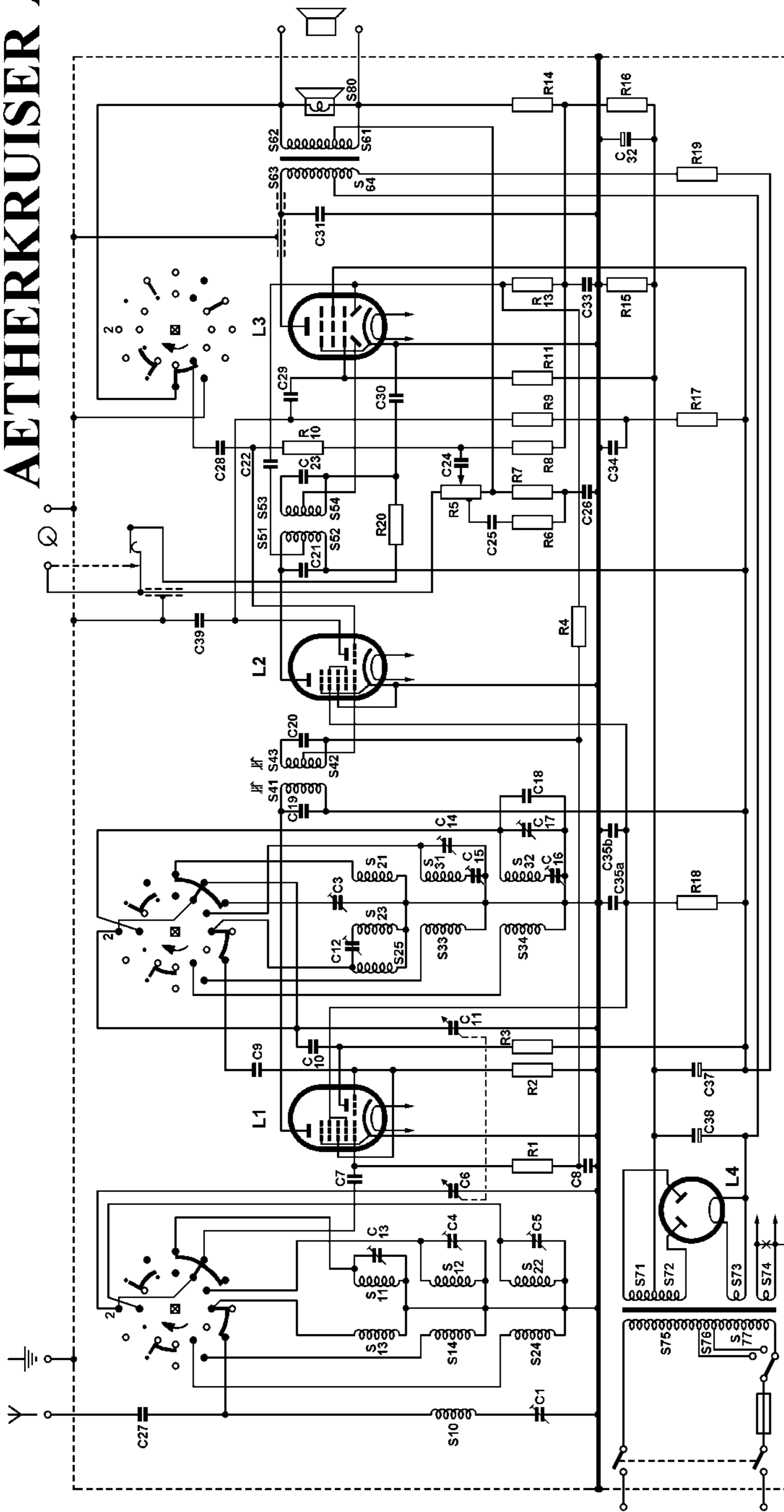


AETHERKRUISER AK 1481



KG)
 MG)
 LG)
 DOF)
 NORMAL)
 GETEKEND IN STAND KG
 GETEKEND IN STAND MG
 GETEKEND IN STAND LG
 GETEKEND IN STAND DOF
 GETEKEND IN STAND NORMAL

(c)2009 digital editing: Gerard Jongbloed (http://gejo.alkmaarweb.nl)

S	10, 13, 14, 24, 75, 76, 77, 71, 72, 73, 74, 11, 12, 22,	25, 23, 33, 34, 21, 31, 32,	41, 43, 42,	S
C	27, 1,	13, 4, 5, 6, 7, 8,	38,	9, 37, 10, 11,
R	1,	2, 3,	18,	4,
				20, 6, 5, 7, 10, 8, 9, 17,
				11,
				13, 15,
				19,
				14, 16
				31,
				33,
				28, 34, 29, 30,
				32,
				63, 64, 62, 61, 80
				S
				C
				R

C	Capaciteit	Volt
1	30 pF	125
2	7 pF	
3	32 pF	
4	32 pF	
5	12-492 pF	
6	220 pF	
7	47000 pF	
8	56 pF	
9	470 pF	
10	12-492 pF	
11	200 pF	
12	30 pF	
13	30 pF	
14	30 pF	
15	350-575 pF	
16	200 pF	
17	30 pF	
18	39 pF	
19	102 pF	
20	102 pF	
21	102 pF	
22	10 pF	
23	102 pF	
24	10000 pF	125
25	10000 pF	125
26	27000 pF	125
27	220 pF	
28	39 pF	
29	10000 pF	400
30	82 pF	
31	4700 pF	
32	100 µF	12,5
33	0,1 µF	125
34	0,1 µF	400
35a	47000 pF	400
35b	47000 pF	400
37	50 µF	355
38	50 µF	355
39	220 pF	
R	Weerstand	Watt
1	0,82 MΩ	0,25
2	47000 Ω	0,25
3	22000 Ω	1
4	1,5 MΩ	0,5
5	0,65+0,2 MΩ	0,25
6	39000 Ω	0,25
7	4700 Ω	0,25
8	1,2 MΩ	0,5
9	0,1 MΩ	0,5
10	0,22 MΩ	0,5
11	0,56 MΩ	0,25
13	1,5 MΩ	0,5
14	0,15 MΩ	0,25
15	120 Ω	1
16	0,33 MΩ	0,25
17	0,1 MΩ	0,5
18	15000 Ω	3
19	1200 Ω	1,5
20	0,1 MΩ	0,25