

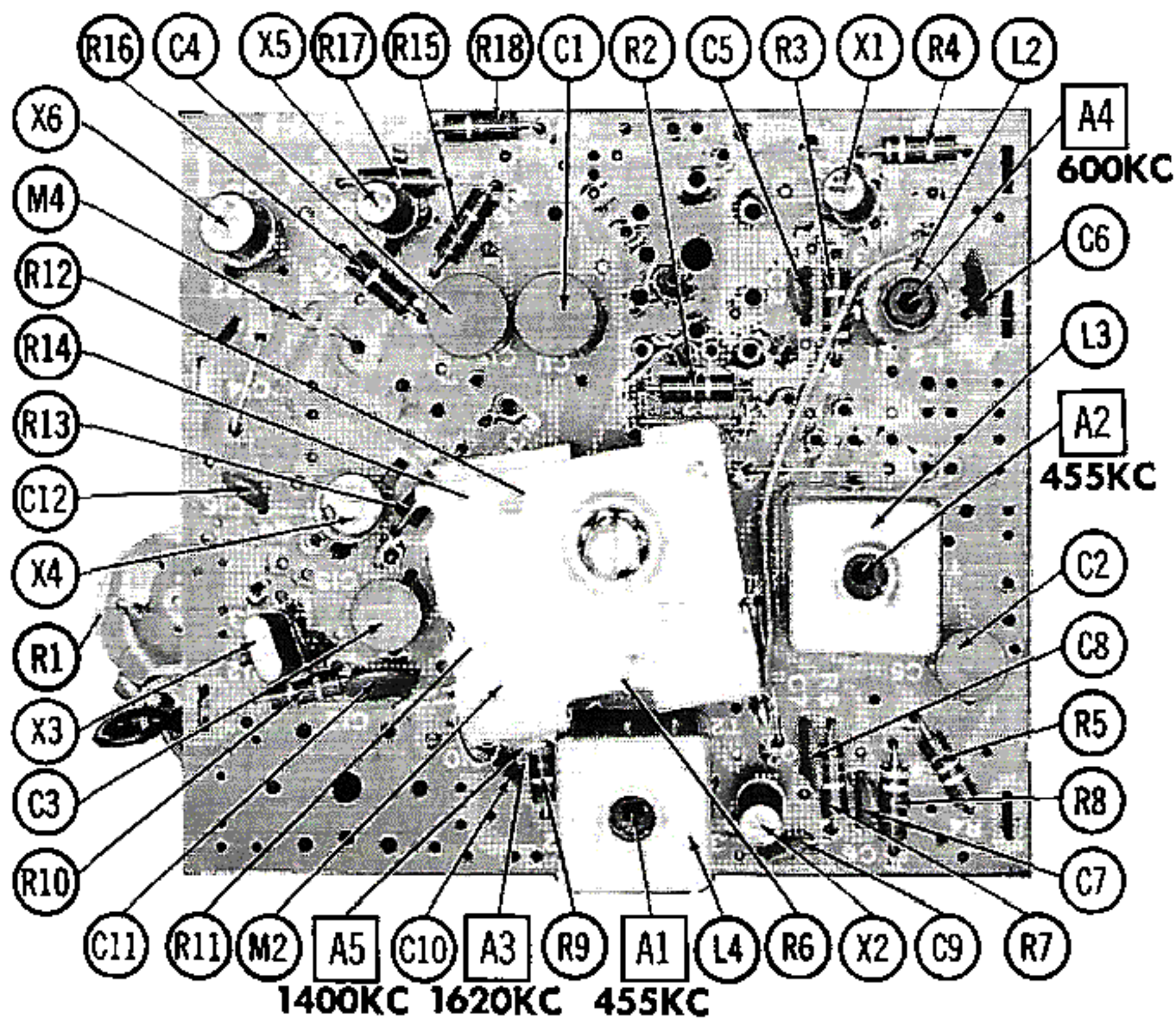
**TRADE NAME:** Admiral Models Y2332, Y2333, Y2338 (Ch. 6V3)  
**SUPPLIER:** Admiral Corp., National Service Div., 903 Morrissey Drive, P. O. Box 845, Bloomington, Illinois  
**TYPE SET:** 6 Transistor AM Receiver  
**POWER SUPPLY:** 9 Volts DC  
**RATING:** 8MA@9VDC (No Signal, Min. Volume)  
 22MA@9VDC (Signal, Normal Volume)  
**TUNING RANGE:** BROADCAST 535 - 1620KC

Met dank aan Jef Bos

## ALIGNMENT INSTRUCTIONS

Check for specified source voltage.  
 Fashion loop of several turns of wire and connect generator across loop.  
 Adjust output of generator to radiate only enough signal into receiver to obtain a suitable indication.  
 Suggested Alignment Tools:  
 A1, A2, A4.....GENERAL CEMENT #8282, 8606..... WALSCO #2526, 2543  
 A3, A5.....GENERAL CEMENT #5000, 5066, 8290..... WALSCO #2525

	SIGNAL GENERATOR FREQUENCY	RADIO DIAL SETTING	INDICATOR	ADJUST	REMARKS
1.	455KC (400v Mod.)	Tuning gang fully open.	Output Meter across voice coil.	A1, A2	Adjust for maximum. Repeat as required.
2.	1620KC	"	"	A3	Adjust for maximum.
3.	600KC	Tune to Signal.	"	A4	Rock tuning gang and adjust for maximum. Repeat steps 2 and 3.
4.	1400KC	"	"	A5	Adjust for maximum.



ADMIRAL MODELS Y2332, Y2333, Y2338 (Ch. 6V3)

## WIRING DATA

General-use Unshielded Hook-up Wire .....	Use BELDEN No. 8530 (Solid 22AWG) 8524 (Stranded 22AWG) 8570 (Stranded 28AWG)	Available in 12 Colors
---	---	------------------------------

## TRANSISTORS

ITEM No.	ORIG. TYPE	USE	REPLACEMENT DATA			NOTES
			DELCO PART No.	GENERAL ELECTRIC PART No.	RCA PART No.	
X1	R714	Converter	DS-25	GE-1		PNP
X2	R715	IF Amplifier	DS-25	GE-1		PNP
X3	R558	AF Amplifier	DS-26	GE-2		PNP
X4	R530	Driver	DS-26	GE-2		PNP
X5	R593	Output	DS-26	GE-2		PNP
X6	R592	Output	DS-44	GE-8		NPN

## ELECTROLYTIC CAPACITORS

ITEM No.	RATING		REPLACEMENT DATA						
	CAP.	VOLT.	ADMIRAL PART No.	AEROVOX PART No.	CORNELL-DUBILIER PART No.	GENERAL ELECTRIC PART No.	GENERAL INSTRUMENT PART No.	MALLORY PART No.	SPRAGUE PART No.
C1	90	9	67B32-29	BCD10080	ECPB417	MT1-19	MLV100-10	PET1400	VL-1140
C2	10	6	67B32-28	BCD6010	ECPB408	MT1-5	MLV10-6	PET1340	VL-1087
C3	10	6	67B32-28	BCD6010	ECPB408	MT1-5	MLV10-6	PET1340	VL-1087
C4	90	9	67B32-29	BCD10080	ECPB417	MT1-19	MLV100-10	PET1400	VL-1140

## FIXED CAPACITORS

ITEM No.	RATING	REMARKS	REPLACEMENT DATA					
			AEROVOX PART No.	CENTRALAB PART No.	CORNELL-DUBILIER PART No.	ELMENCO PART No.	MALLORY PART No.	SPRAGUE PART No.
C5	.05		TTD-05	CK-503	H5		TA-150	TG-S50
C6	.01		TTD-01	CK-103	H2		TA-110	TG-S10
C7	.05		TTD-05	CK-503	H5		TA-150	TG-S50
C8	.47 3V			UK10-404	HCC10474Z			HY-330
C9	.05		TTD-05	CK-503	H5		TA-150	TG-S50
C10	.01		TTD-01	CK-103	H2		TA-110	TG-S10
C11	.47 3V			UK10-404	HCC10474Z			HY-330
C12	.05		TTD-05	CK-503	H5		TA-150	TG-S50

## CONTROLS

All wattages 1/2 watt, or less, unless otherwise listed.

ITEM No.	USE	RESIST-ANCE	REPLACEMENT DATA				
			ADMIRAL PART No.	CENTRALAB PART No.	CLAROSTAT PART No.	CTS-IRC PART No.	MALLORY PART No.
R1	Volume & Switch	5000Ω	75B86-1	F1-5000, KR-1, AK-38		B11-114, TM5, 76-1 † (or) (BUU, CF8, SS14, GC)*	TA53L, US26 PTA53L, US26, (or) RU53L, SL-37, US41

† Use switch with metal housing.

\* "SNAPTROL"

# DESCRIPTION

## COILS (RF-IF)

ITEM No.	USE	REPLACEMENT DATA					NOTES
		ADMIRAL PART No.	MERIT PART No.	MILLER PART No.	STANCOR PART No.	WORKMAN PART No.	
L1	Loopstick	69C285-1					Ⓛ Includes M3
L2	Osc.	69B223-7					
L3	1st IF	72C244-1					
L4	2nd IF	72C244-2 Ⓛ					

## SPEAKER

ITEM No.	TYPE	REPLACEMENT DATA		NOTES
		ADMIRAL PART No.	QUAM PART No.	
SP1	3 1/2" PM 28-30Ω	78C183-1	3A07Z30	

## BATTERIES

ITEM No.	VOLTAGE	ADMIRAL PART No.	REPLACEMENT DATA			NOTES
			BURGESS	EVEREADY	MALLORY	
M1	9		2N6 (or H146)	246 (or E146)	M-1602 (or MN1604, TR-146)	

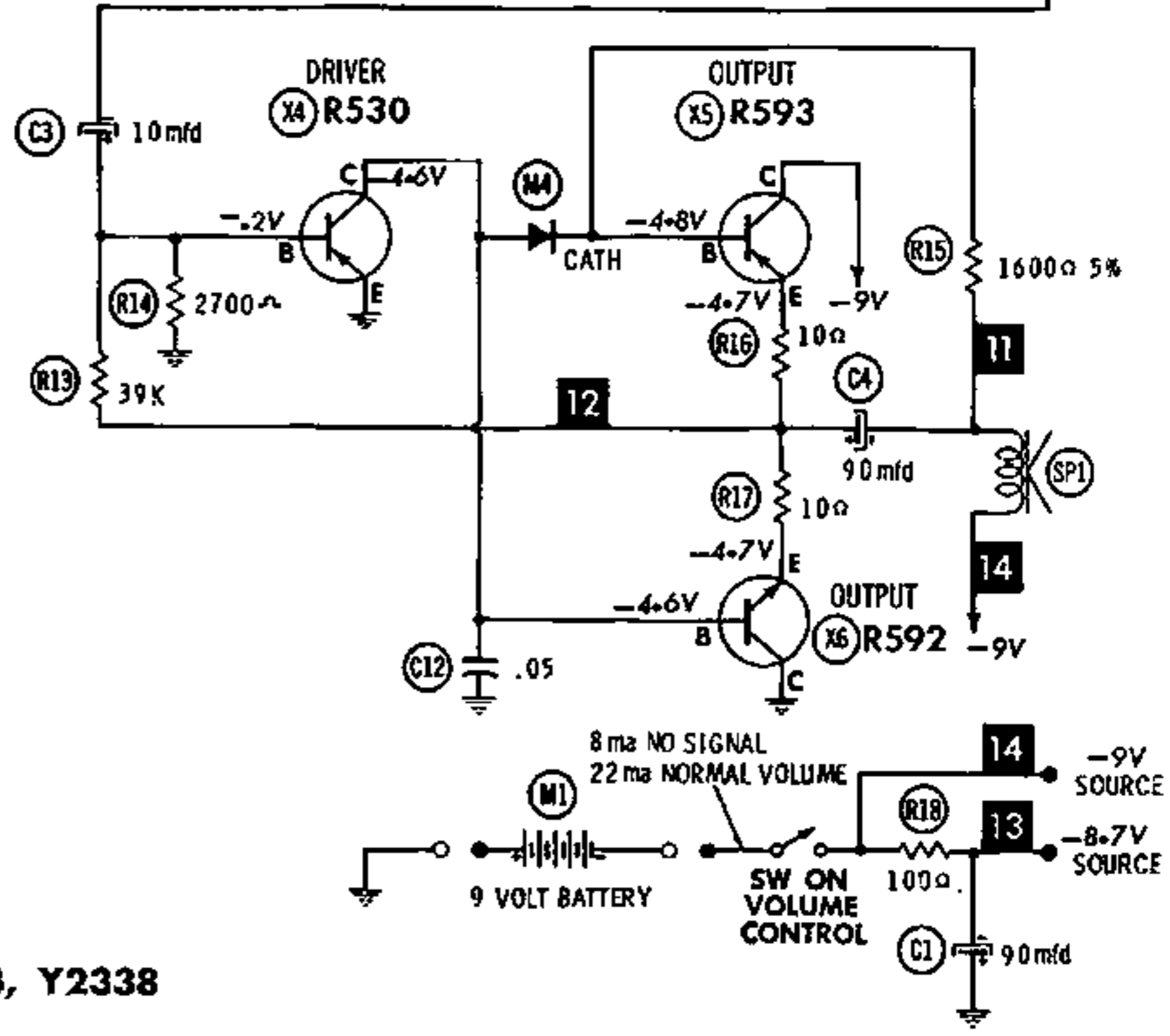
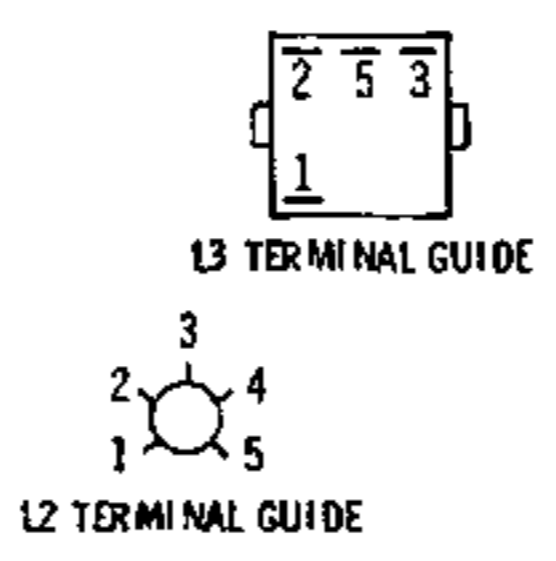
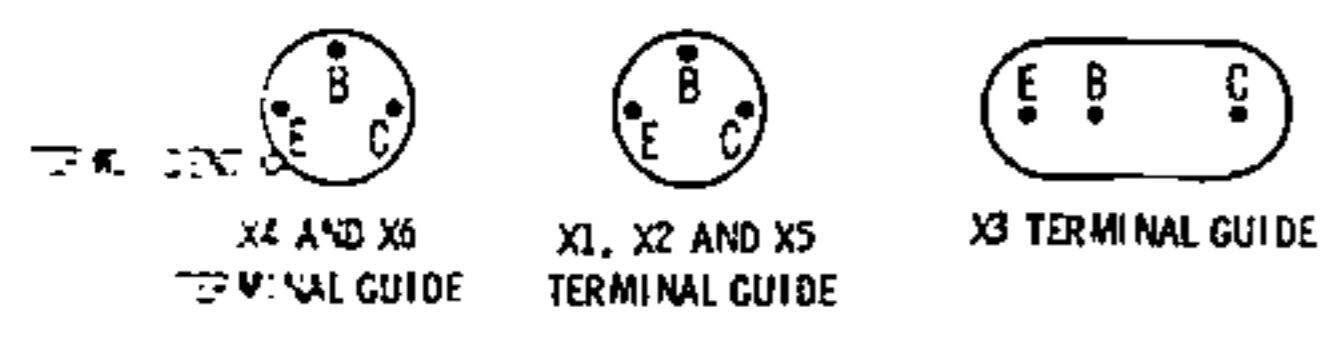
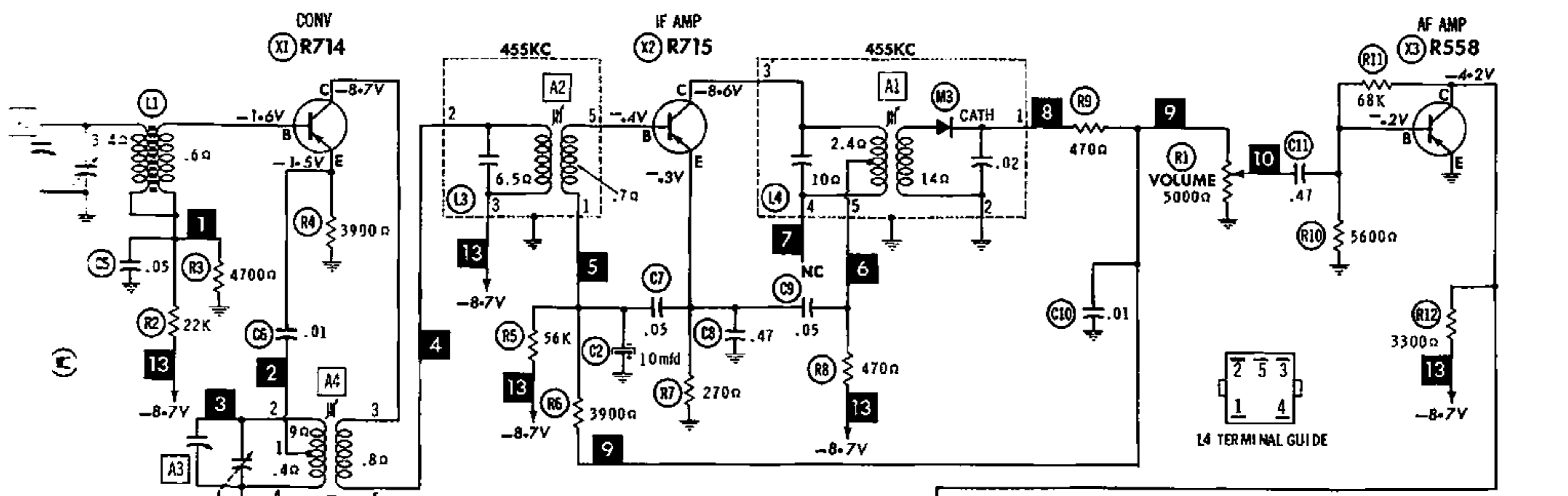
## MISCELLANEOUS

ITEM No.	PART NAME	ADMIRAL PART No.	NOTES
M2	Tuning Cap.	88C93-1	
M3	Detector	93A31-1	
M4	Bias Regulator	93B27-1	

## CABINETS & CABINET PARTS

(When Ordering Specify Model, Chassis & Color)

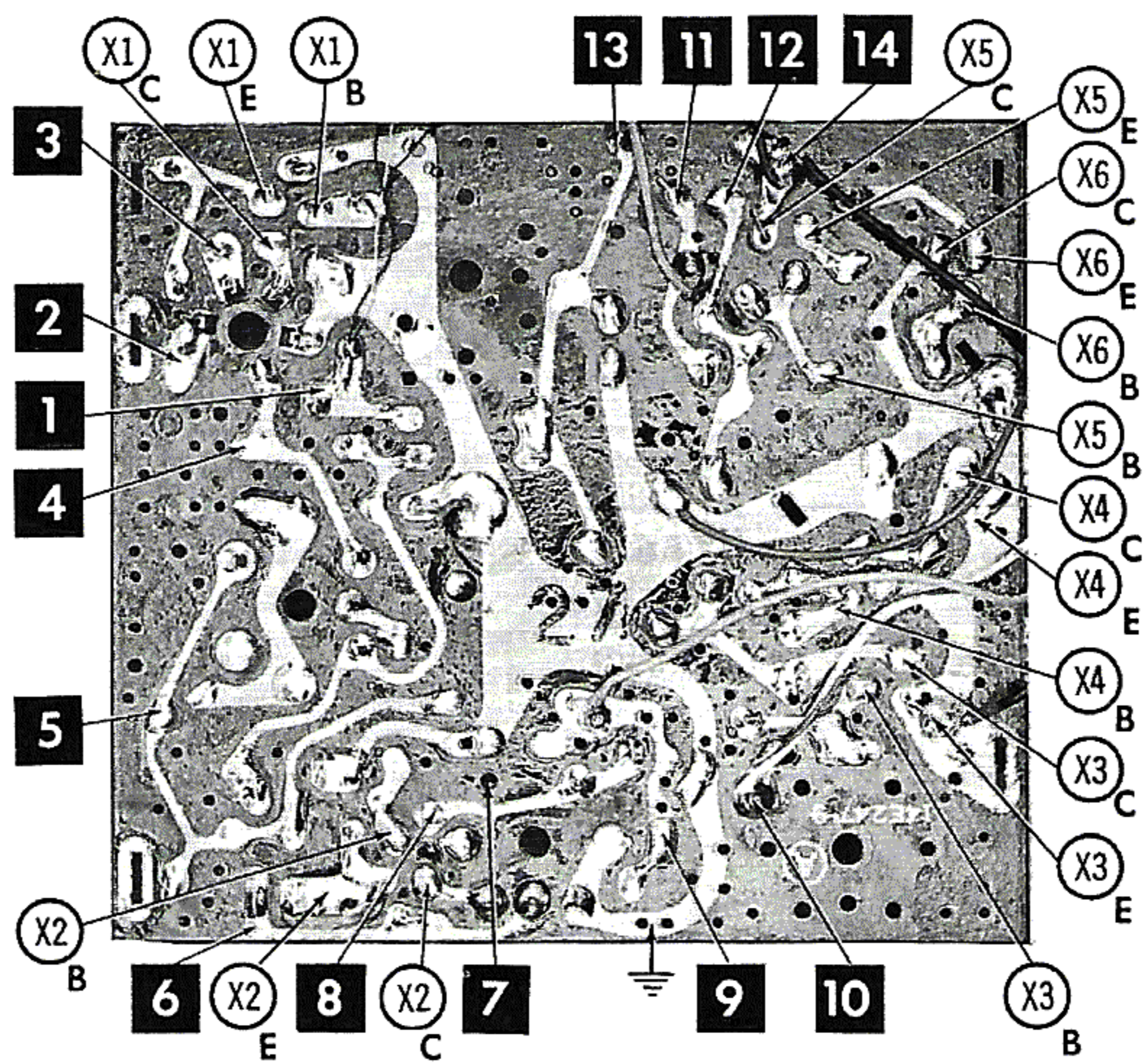
ITEM	PART No.	ITEM	PART No.
Knob - Tuning, Red	33C418-2	Cabinet - Front, Green	34E197-5
Knob - Tuning, White	33C418-3	Cabinet - Back, Red	34E197-2
Knob - Tuning, Green	33C418-4	Cabinet - Back, White	34E197-4
Knob - Volume, Red	33C412-4	Cabinet - Back, Green	34E197-6
Knob - Volume, White	33C412-5	Handle - Red	33B505-1
Knob - Volume, Green	33C412-6	Handle - White	33B505-2
Cabinet - Front, Red	34E197-1	Handle - Green	33B505-3
Cabinet - Front, White	34E197-3		



All measurements taken with vacuum tube voltmeter.  
 All measurements set for normal operation, no signal applied.  
 All values are from socket pin or terminal to common ground.  
 All measurements viewed from bottom unless otherwise designated.  
 Numbers assigned to terminals may not be found on the unit.  
 Voltage maintained at rated value for voltage readings.  
 Resistance measurements not given because of the wide variation in resistance of transistor.

FACTORY STANDARD NOTATION SCHEMATIC  
 with **CIRCUITRACE**  
 ©Howard W. Sams & Co., Inc. 1963

**ADMIRAL**  
**MODELS Y2332, Y2333, Y2338**  
**(ch. 6V3)**



**E-EMITTER B-BASE C-COLLECTOR**