



PHOTOFACT[®] with

CIRCUITRACE[®]

Met dank aan Jef Bos

TRADE NAME: Admiral Models Y2311, Y2312, Y2319 (Ch. 7K2)

SUPPLIER: Admiral Corp., National Service Div.,
903 Morrissey Drive, P. O. Box 845,
Bloomington, Illinois

TYPE SET: 7 Transistor AM Receiver

POWER SUPPLY: 9 Volts DC

RATING: 8MA @ 9VDC (No Signal, Min. Volume)
22MA @ 9VDC (Signal, Normal Volume)

TUNING RANGE: BROADCAST 535 - 1620KC



Ned. Ver. v. Historie

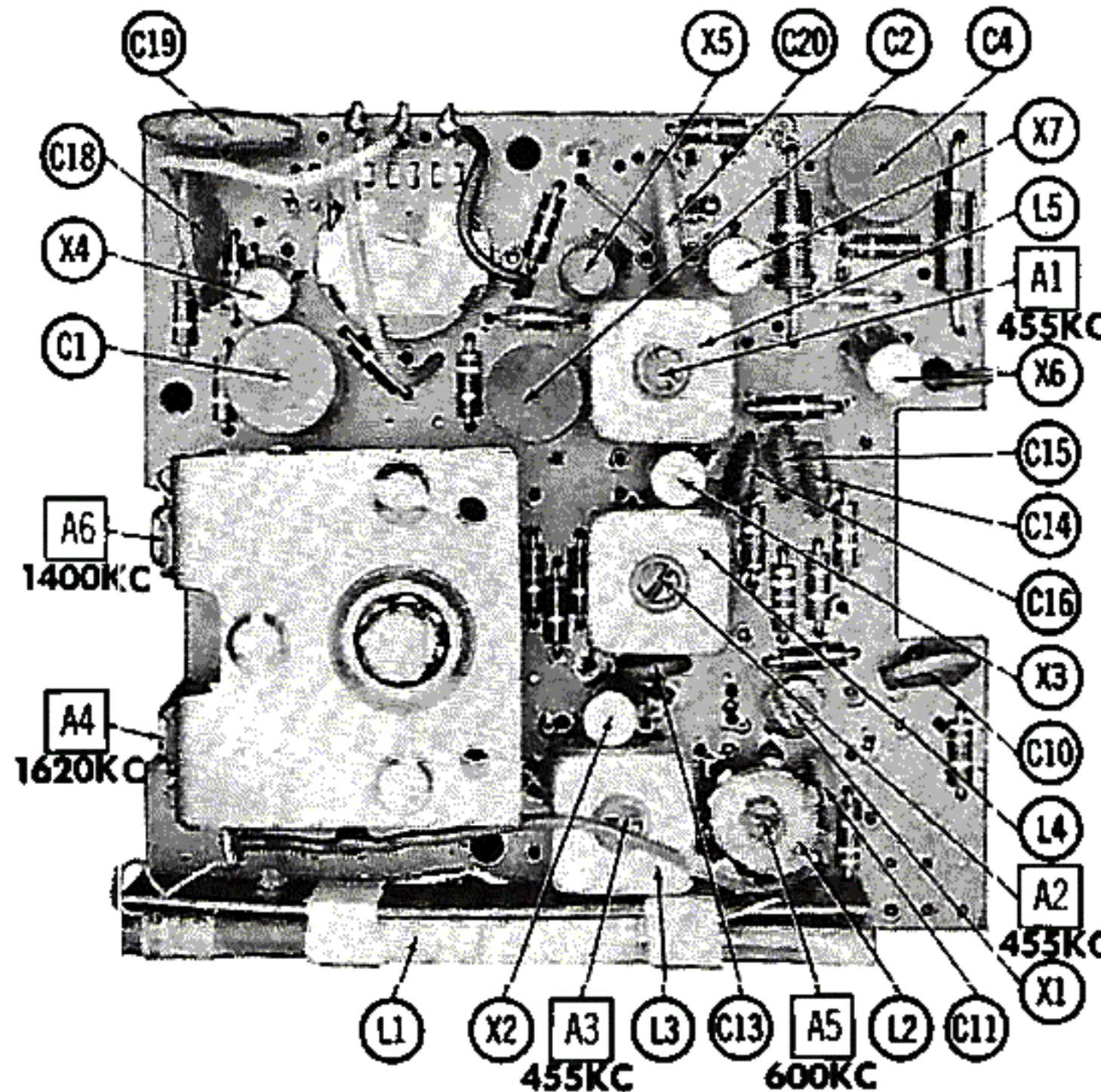
ALIGNMENT INSTRUCTIONS



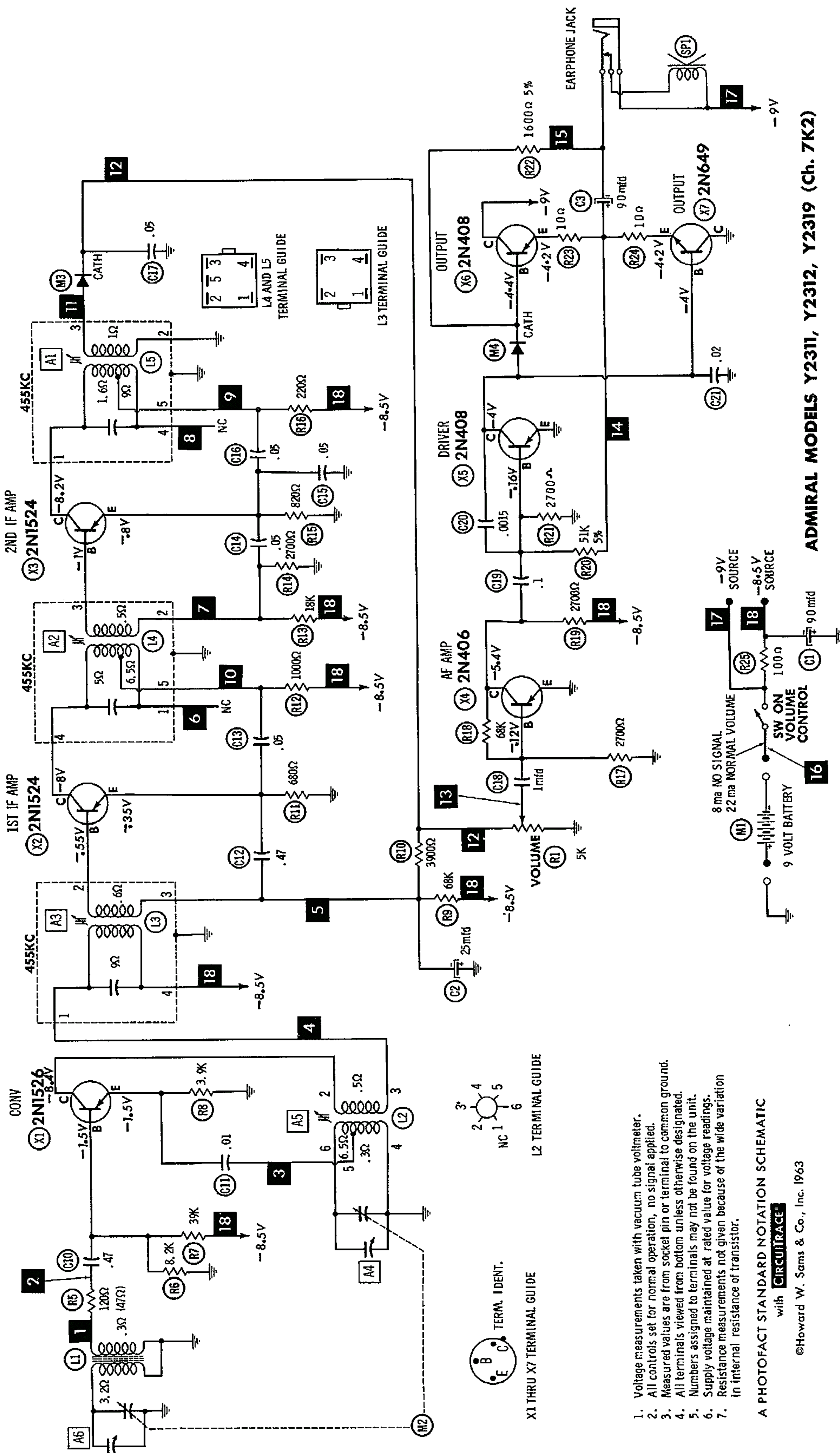
Check for specified source voltage.
Fashion loop of several turns of wire and connect generator across loop.
Adjust output of generator to radiate only enough signal into receiver to obtain a suitable indication.
Suggested Alignment Tools:

A1, A2, A3, A5..... GENERAL CEMENT #5067, 8282, 8606
WALSCO #2526, 2543
A4, A6..... GENERAL CEMENT #5000, 5066, 8290
WALSCO #2512, 2525, 2528

	SIGNAL GENERATOR FREQUENCY	RADIO DIAL SETTING	INDICATOR	ADJUST	REMARKS
1.	455KC (400v. Mod.)	Tuning gang fully open.	Output Meter across voice coil.	A1, A2, A3	Adjust for maximum. Repeat as required.
2.	1620KC	"	"	A4	Adjust for maximum.
3.	600KC	Tune to Signal.	"	A5	Rock tuning gang and adjust for maximum. Repeat steps 2 and 3.
4.	1400KC	"	"	A6	Adjust for maximum.

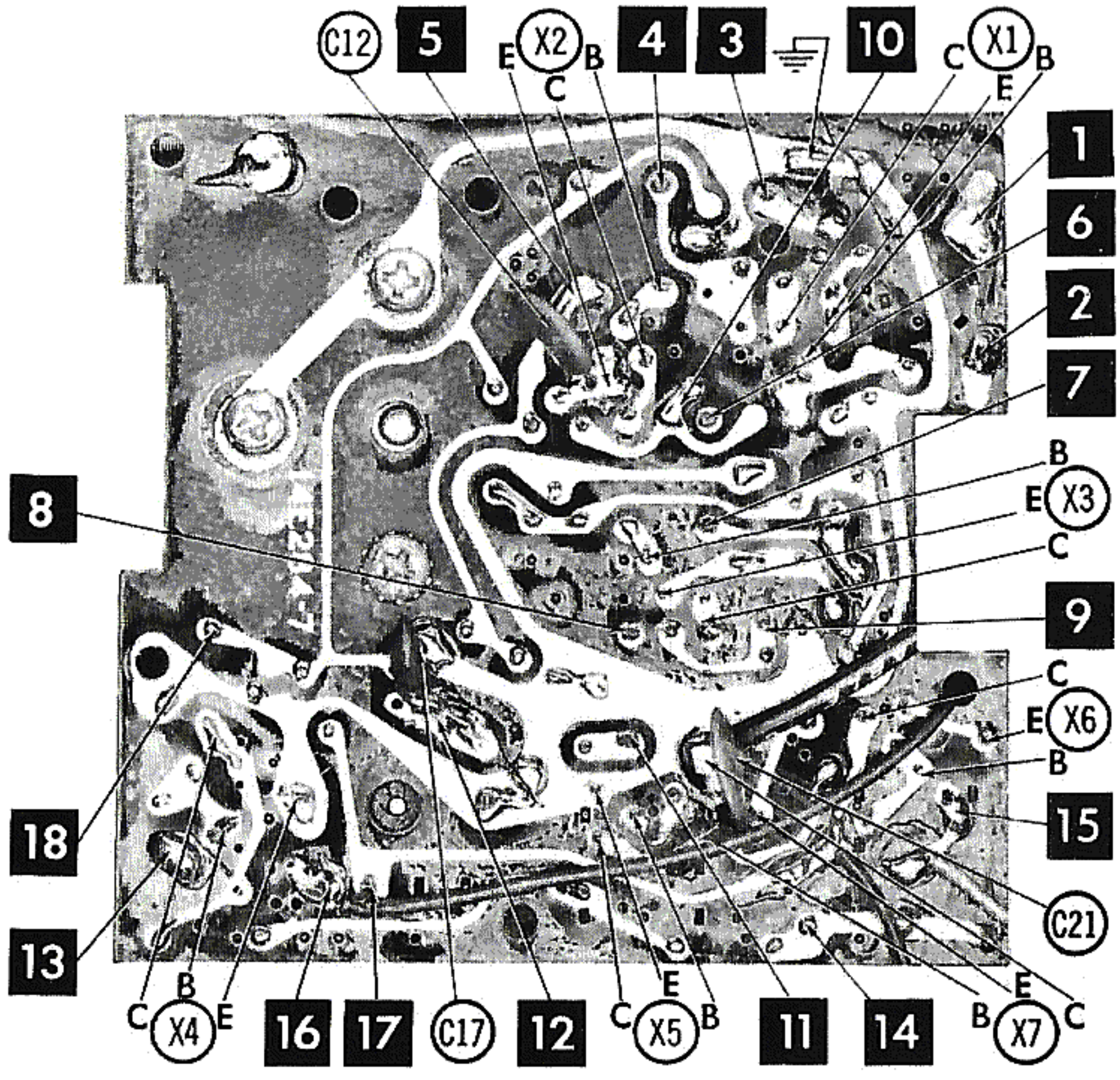
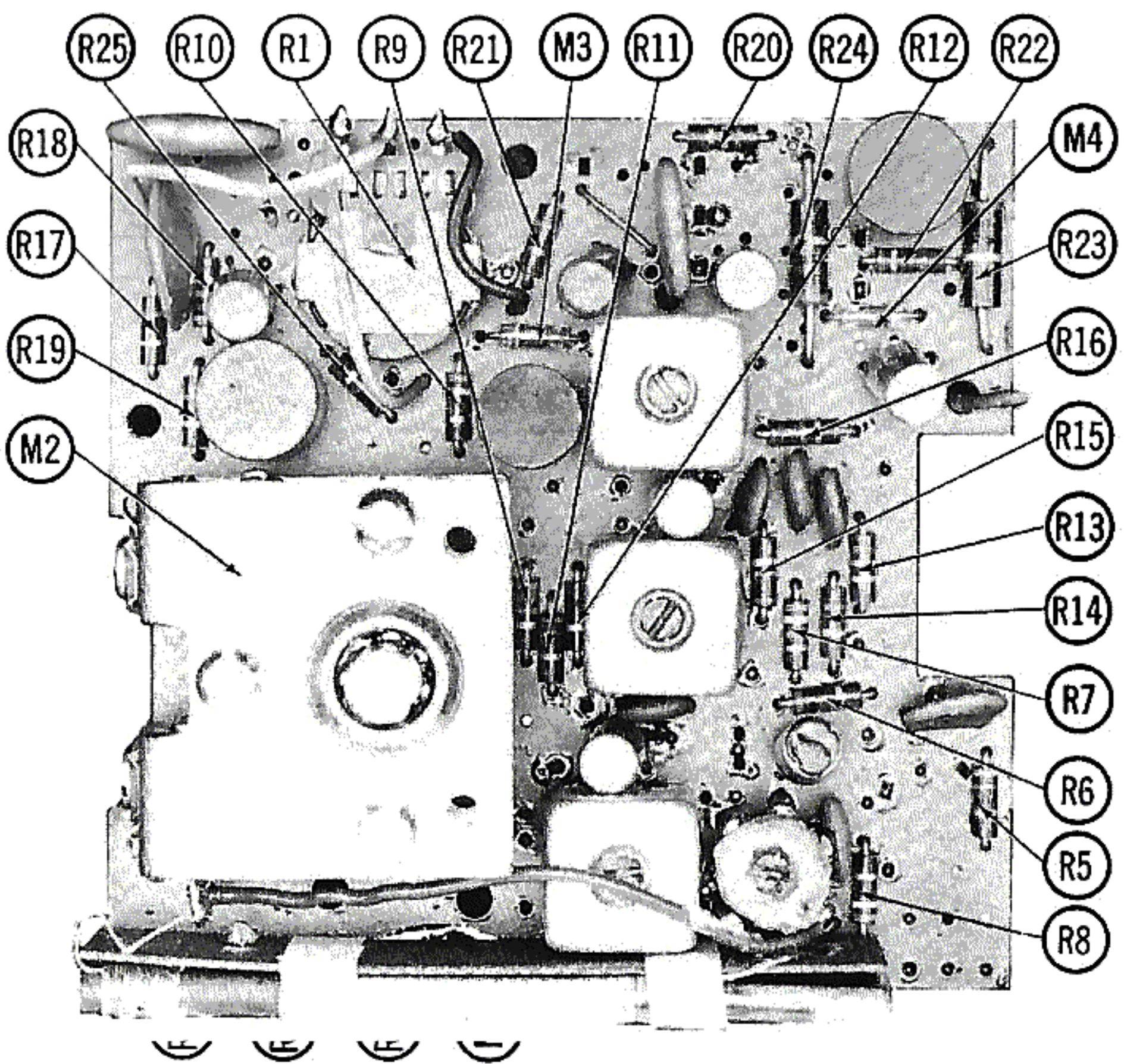


HOWARD W. SAMS & CO., INC. Indianapolis 6, Indiana



1. Voltage measurements taken with vacuum tube voltmeter.
2. All controls set for normal operation, no signal applied.
3. Measured values are from socket pin or terminal to common ground.
4. All terminals viewed from bottom unless otherwise designated.
5. Numbers assigned to terminals may not be found on the unit.
6. Supply voltage maintained at rated value for voltage readings.
7. Resistance measurements not given because of the wide variation in internal resistance of transistor.

A PHOTOFAC STANDARD NOTATION SCHEMATIC
with **CIRCUITRACE**



TRANSISTORS

ITEM No.	ORIG. TYPE	USE	REPLACEMENT DATA			NOTES
			DELCO PART No.	GENERAL ELECTRIC PART No.	RCA PART No.	
X1	2N1526	Converter	DS-25	GE-9	2N1527	PNP
X2	2N1524	1st IF Amplifier	DS-25	GE-9	2N1524	PNP
X3	2N1524	2nd IF Amplifier	DS-25	GE-9	2N1524	PNP
X4	2N406	AF Amplifier	DS-26	GE-2	2N406	PNP
X5	2N408	Driver	DS-26	GE-2	2N408	PNP
X6	2N408	Output	DS-26	GE-2	2N408	PNP
X7	2N649	Output	DS-46	GE-8		NPN

ELECTROLYTIC CAPACITORS

ITEM No.	RATING		REPLACEMENT DATA						
	.CAP.	VOLT.	ADMIRAL PART No.	AEROVOX PART No.	CORNELL-DUBILIER PART No.	GENERAL ELECTRIC PART No.	GENERAL INSTRUMENT PART No.	MALLORY PART No.	SPRAGUE PART No.
C1	90	9	67B32-29	BCD10080	NLW100-12		MLV100-10		TE-1119.3
C2	25	3	67B32-30	BCD3025	ECPB411	MT1-13	MLV25-3	TT3X25	VL-1041
C3	90	9	67B32-29	BCD10080	NLW100-12		MLV100-10		TE-1119.3

FIXED CAPACITORS

ITEM No.	RATING	REMARKS	REPLACEMENT DATA					
			AEROVOX PART No.	CENTRALAB PART No.	CORNELL-DUBILIER PART No.	ELMENCO PART No.	MALLORY PART No.	SPRAGUE PART No.
C10	.47mfd 3V			UK10-404	HCC10474Z			HY-330
C11	.01		TTD-01	CK-103	H2		TA-110	TG-S10
C12	.47mfd 3V			UK10-404	HCC10474Z			HY-330
C13	.05		TTD-05	CK-503	H5		TA-150	TG-S50
C14	.05		TTD-05	CK-503	H5		TA-150	TG-S50
C15	.05		TTD-05	CK-503	H5		TA-150	TG-S50
C16	.05		TTD-05	CK-503	H5		TA-150	TG-S50
C17	.05		TTD-05	CK-503	H5		TA-150	TG-S50
C18	1mfd 3V			UK-105	HCC3105P			
C19	.1mfd		TTD-1	CK-104	H6		TA-010	TG-P10
C20	.0015		DI-1500	DD-152	LA10D15	CCD-152	GP215	10TS-D15
C21	.02		TTD-02	CK-203	H3		TA-120	TG-S20

CONTROLS

All wattages 1/2 watt, or less, unless otherwise listed.

ITEM No.	USE	RESISTANCE	REPLACEMENT DATA				
			ADMIRAL PART No.	CENTRALAB PART No.	CLAROSTAT PART No.	CTS-IRC PART No.	MALLORY PART No.
R1	Volume & Switch	5000Ω	75C69-2				

COILS (RF-IF)

ITEM No.	USE	REPLACEMENT DATA					NOTES
		ADMIRAL PART No.	MERIT PART No.	MILLER PART No.	STANCOR PART No.	WORKMAN PART No.	
L1	Loopstick	69C288-1					① Alternate Part # 72D239-6
L2	Osc.	69D246-10					
L3	1st IF	72D239-4					
L4	2nd IF	72D239-5					
L5	3rd IF	72D239-7 ①					

DESCRIPTION

SPEAKER

ITEM No.	TYPE	REPLACEMENT DATA		NOTES
		ADMIRAL PART No.	QUAM PART No.	
SP1	3" x 4" PM 40Ω	78C163-3		

BATTERIES

ITEM No.	VOLTAGE	ADMIRAL PART No.	REPLACEMENT DATA			NOTES
			BURGESS	EVEREADY	MALLORY	
M1	9V		P6	228	M-1600 (or TR-286)	

MISCELLANEOUS

ITEM No.	PART NAME	ADMIRAL PART No.	NOTES
M2	Tuning Cap.	68C82-7	
M3	Detector	93B27-1	
M4	Bias Regulator	93B27-1	

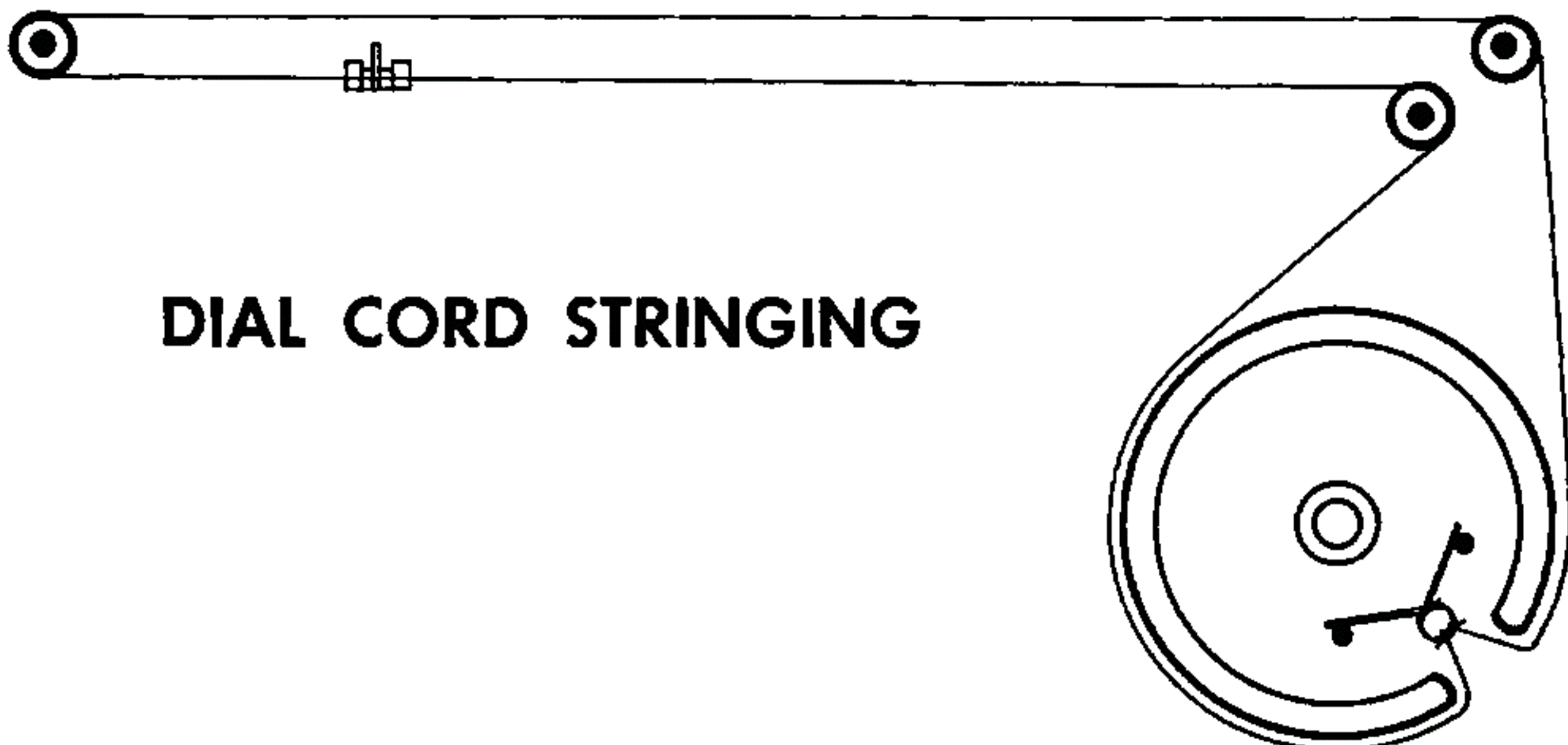
CABINETS & CABINET PARTS

(When Ordering Specify Model, Chassis & Color)

ITEM	PART No.	ITEM	PART No.
Knob - Tuning	33B523-2	Cabinet Front - Blue	A9243
Knob - Volume	33B523-1	Cabinet Back - Black	34E158-40
Cabinet Front-Black	A9241	Cabinet Back - Red	34E158-37
Cabinet Front - Red	A9242	Cabinet Back - Blue	34E158-38

WIRING DATA

General-use Unshielded Hook-up Wire	Use BELDEN No. 8530 (Solid 22AWG)	Available
	8524 (Stranded 22AWG)	in
	8570 (Stranded 28AWG)	12 Colors



DIAL CORD STRINGING