



PHOTOFACT[®] with

CIRCUITRACE[®]

TRADE NAME: Admiral Models Y2271, Y2272, Y2273 (Ch. 6M3N); Models Y2301GPN, Y2303GPN, Y2307GPN (Ch. 6M3NA)

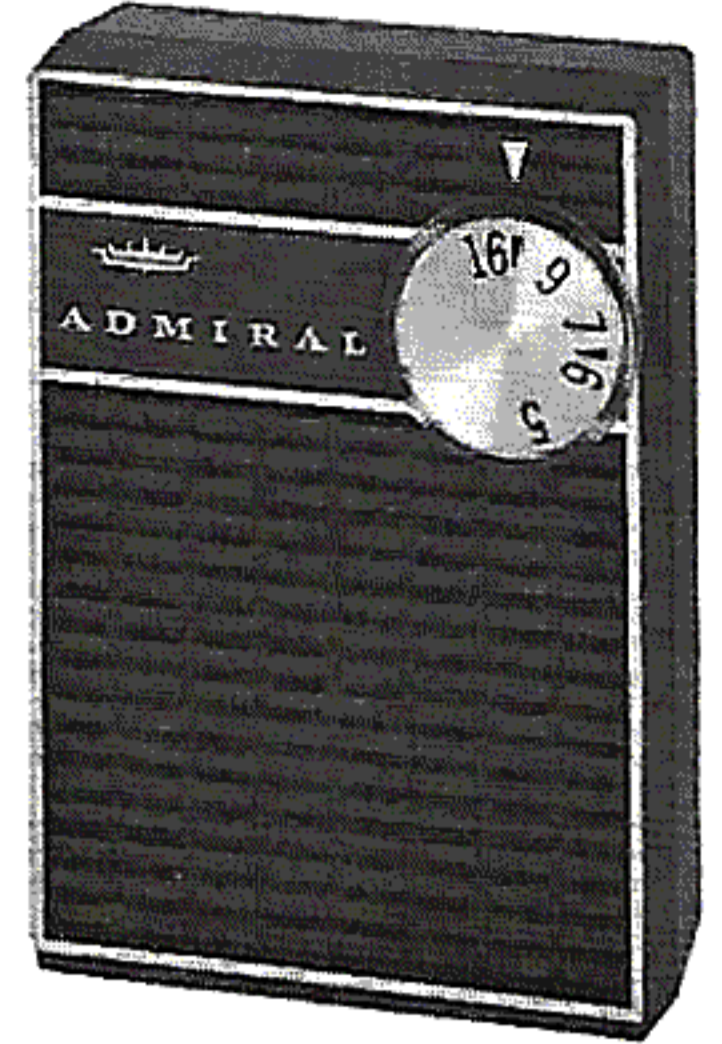
SUPPLIER: Admiral Corp., National Service Div. 903 Morrissey Drive, P.O. Box 845, Bloomington, Illinois

TYPE SET: 7 Transistor AM Receiver

POWER SUPPLY: 9 Volts DC

RATING: 12MA @ 9VDC (No Signal, Min. Volume)
35MA @ 9VDC (Signal, Normal Volume)

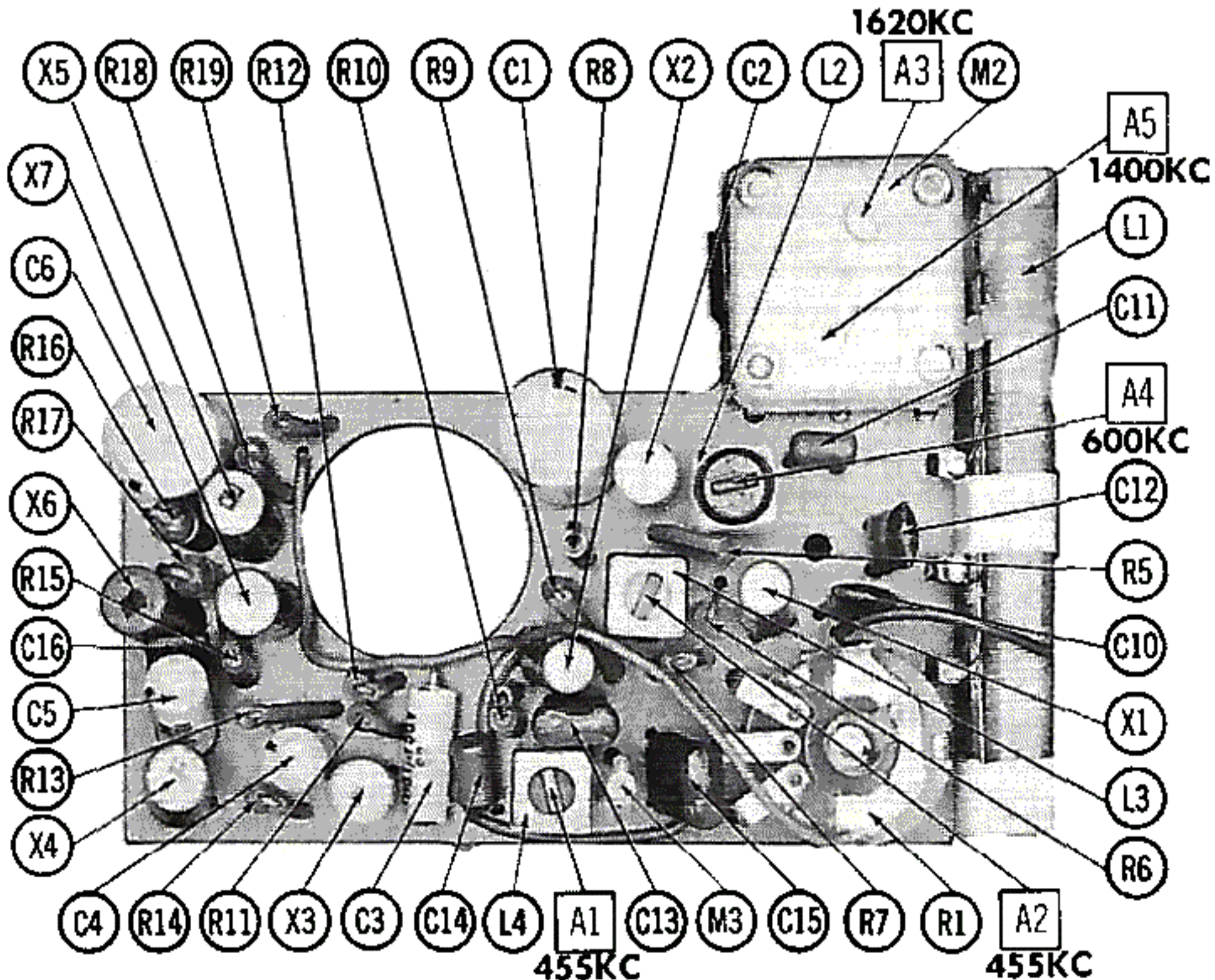
TUNING RANGE: BROADCAST 535 - 1620KC



ALIGNMENT INSTRUCTIONS

Check for specified source voltage.
Fashion loop of several turns of wire and connect generator across loop.
Adjust output of generator to radiate only enough signal into receiver to obtain a suitable indication.
Suggested Alignment Tools:
A1, A2, A4..... GENERAL CEMENT #5067, 8606
WALSCO #2543
A3, A5..... GENERAL CEMENT#5000, 5066, 8290
WALSCO #2512, 2525, 2528

SIGNAL GENERATOR FREQUENCY	RADIO DIAL SETTING	INDICATOR	ADJUST	REMARKS
1. 455KC (400v Mod.)	Tuning gang fully open.	Output Meter across voice coil.	A1, A2	Adjust for maximum. Repeat as required.
2. 1620KC	"	"	A3	Adjust for maximum.
3. 600KC	Tune to Signal.	"	A4	Rock tuning gang and adjust for maximum. Repeat steps 2 and 3.
4. 1400KC	"	"	A5	Adjust for maximum.



WIRING DATA

General-use Unshielded Hook-up Wire	Use BELDEN No. 8530 (Solid 22AWG)	Available
	8524 (Stranded 22AWG)	in
	8570 (Stranded 26AWG)	12 Colors

TRANSISTORS

ITEM No.	ORIG. TYPE	USE	'REPLACEMENT DATA			NOTES
			DELCO PART No.	GENERAL ELECTRIC PART No.	RCA PART No.	
X1	2SA102	Converter	DS-25	GE-9	2N1527	PNP
X2	2SA101	1st IF Amplifier	DS-25		2N1525	PNP
X3	2SB32	AF Amplifier			2N406	PNP
X4	2SB33	Driver			2N408	PNP
X5	2SB33	Output			2N408	PNP
X6	2SB33	Output			2N408	PNP
X7	KV-4	Bias Regulator			2N408	PNP

ELECTROLYTIC CAPACITORS

ITEM No.	RATING		REPLACEMENT DATA						
	CAP.	VOLT.	ADMIRAL PART No.	AEROVOX PART No.	CORNELL-DUBILIER PART No.	GENERAL ELECTRIC PART No.	GENERAL INSTRUMENT PART No.	MALLORY PART No.	SPRAGUE PART No.
C1	60	10	67B63-2						
C2	10	6	67B63-1						
C3	.1	50	67B63-4	CRE750A	NLW1-50	MT1-1			TE-1300
C4	10	6	67B63-1						
C5	10	6	67B63-1						
C6	80	6	67B63-3						

FIXED CAPACITORS

ITEM No.	RATING	REMARKS	REPLACEMENT DATA					
			AEROVOX PART No.	CENTRALAB PART No.	CORNELL-DUBILIER PART No.	ELMENCO PART No.	MALLORY PART No.	SPRAGUE PART No.
C10	.01	(.04) †	TTD-01	CK-103	H2		TA-110	TG-S10
C11	140		SI 150	D6-151	LA10T15	CCD-151	GP315	10TS-T15
C12	.005		TTD-005	CK-502	H1		TA-250	TG-D50
C13	.04		TTD-05	CK-503	H5		TA-150	TG-S50
C14	2		NPO-SI 2.0	TCZ-2R2	C10V22C	CCTO-2R2	CNO-522	10TCC-V22
C15	.04		TTD-05	CK-503	H5		TA-150	TG-S50
C16	.01		TTD-01	CK-103	H2		TA-110	TG-S10

† Alternate Value.

CONTROLS

All wattages 1/2 watt, or less, unless otherwise listed.

ITEM No.	USE	RESISTANCE	REPLACEMENT DATA				
			ADMIRAL PART No.	CENTRALAB PART No.	CLAROSTAT PART No.	CTS-IRC PART No.	MALLORY PART No.
R1	Volume & Switch	5000Ω	75B89-1				

DESCRIPTION

COILS (RF-IF)

ITEM No.	USE	REPLACEMENT DATA					NOTES
		ADMIRAL PART No.	MERIT PART No.	MILLER PART No.	STANCOR PART No.	WORKMAN PART No.	
L1	Loopstick	69B296-1 ①		2009			① #69B265-6 used in Chassis 6M3NA ♦ Disregard Tap
L2	Osc.	69B297-1		2060			
L3	Input IF	72B249-1	BC-569♦	2061 ♦	RTC-9262♦		
L4	Output IF	72B249-2	BC-571	2063	RTC-9264		

SPEAKER

ITEM No.	TYPE	REPLACEMENT DATA		NOTES
		ADMIRAL PART No.	QUAM PART No.	
SP1	2" PM 30Ω	78C177-2		

BATTERIES

ITEM No.	VOLTAGE	ADMIRAL PART No.	REPLACEMENT DATA			NOTES
			BURGESS	EVEREADY	MALLORY	
M1	9V		L6	206	M1611 (TR126)	

MISCELLANEOUS

ITEM No.	PART NAME	ADMIRAL PART No.	NOTES
M2 M3	Tuning Cap. Detector (1N34A)	68B99-1 93B38-1	

CABINETS & CABINET PARTS

(When Ordering Specify Model, Chassis & Color)

ITEM	PART No.	ITEM	PART No.
<u>KNOB</u>		<u>CABINET BACK</u>	
Volume	33C469-6	Model Y2271-Black	34E186-20
Tuning-Model Y2270 Series	33B570-1	Model Y2272-Red	34E186-24
Tuning-Model Y2300 Series	33C469-5	Model Y2273-White	34E186-21
<u>CABINET FRONT</u>		Model Y2301GPN-Black	34E193-4
Model Y2271-Black	34E217-1	Model Y2303GPN-White	34E193-5
Model Y2272-Red	34E217-2	Model Y2307GPN-Brown	34E193-6
Model Y2273-White	34E217-3		
Model Y2300GPN	A9565		

