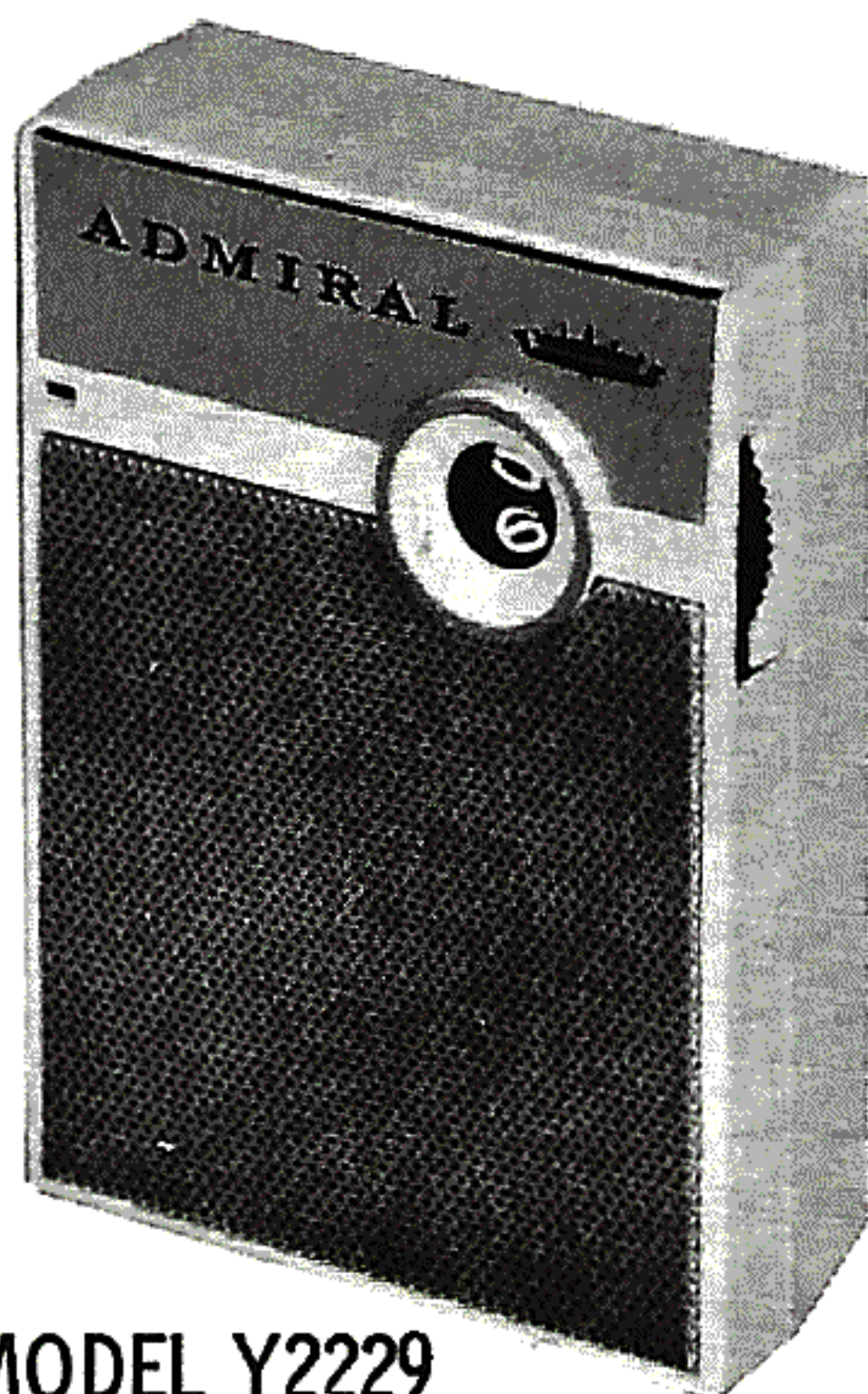
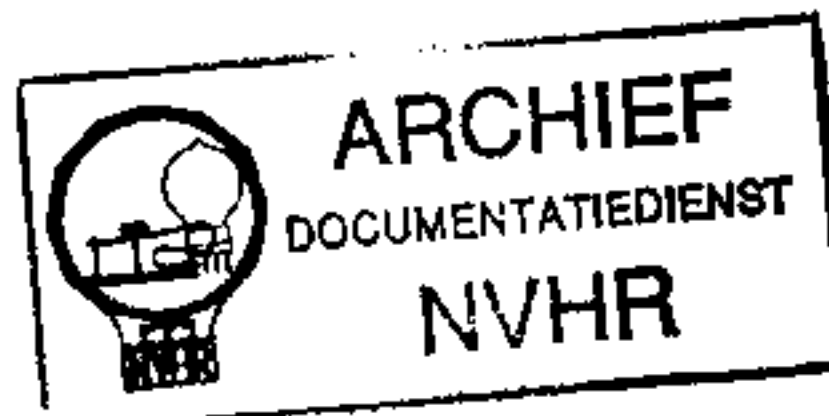


**PHOTOFACT® Folder**

with **CIRCUITRACE™**

**ADMIRAL MODELS Y2221, Y2223,  
Y2226, Y2229 (Ch. 6M3A)**

Ned. Ver. v. Historie v/d Radio



**MODEL Y2229**

Met dank aan Jef Bos

<b>NAME</b>	Admiral Models Y2221, Y2223, Y2226, Y2229 (Ch. 6M3A)		
<b>MANUFACTURER</b>	Admiral Sales Corp., National Service Div., 903 Morrissey Drive, P. O. Box 845, Bloomington, Ill.		
<b>TYPE SET</b>	Battery Operated 6 Transistor Portable AM Receiver		
<b>POWER SUPPLY</b>	9 Volts DC	<b>RATING</b>	7MA @ 9 Volts DC (No Signal, Min. Volume)
<b>TUNING RANGE—BROADCAST</b>	535 — 1620KC		12MA @ 9 Volts DC (Signal, Normal Volume)

## ALIGNMENT INSTRUCTIONS

### ALIGNMENT INSTRUCTIONS—READ CAREFULLY BEFORE ATTEMPTING ALIGNMENT

Use only enough generator output to provide a usable indication.

**Suggested Alignment Tools:**

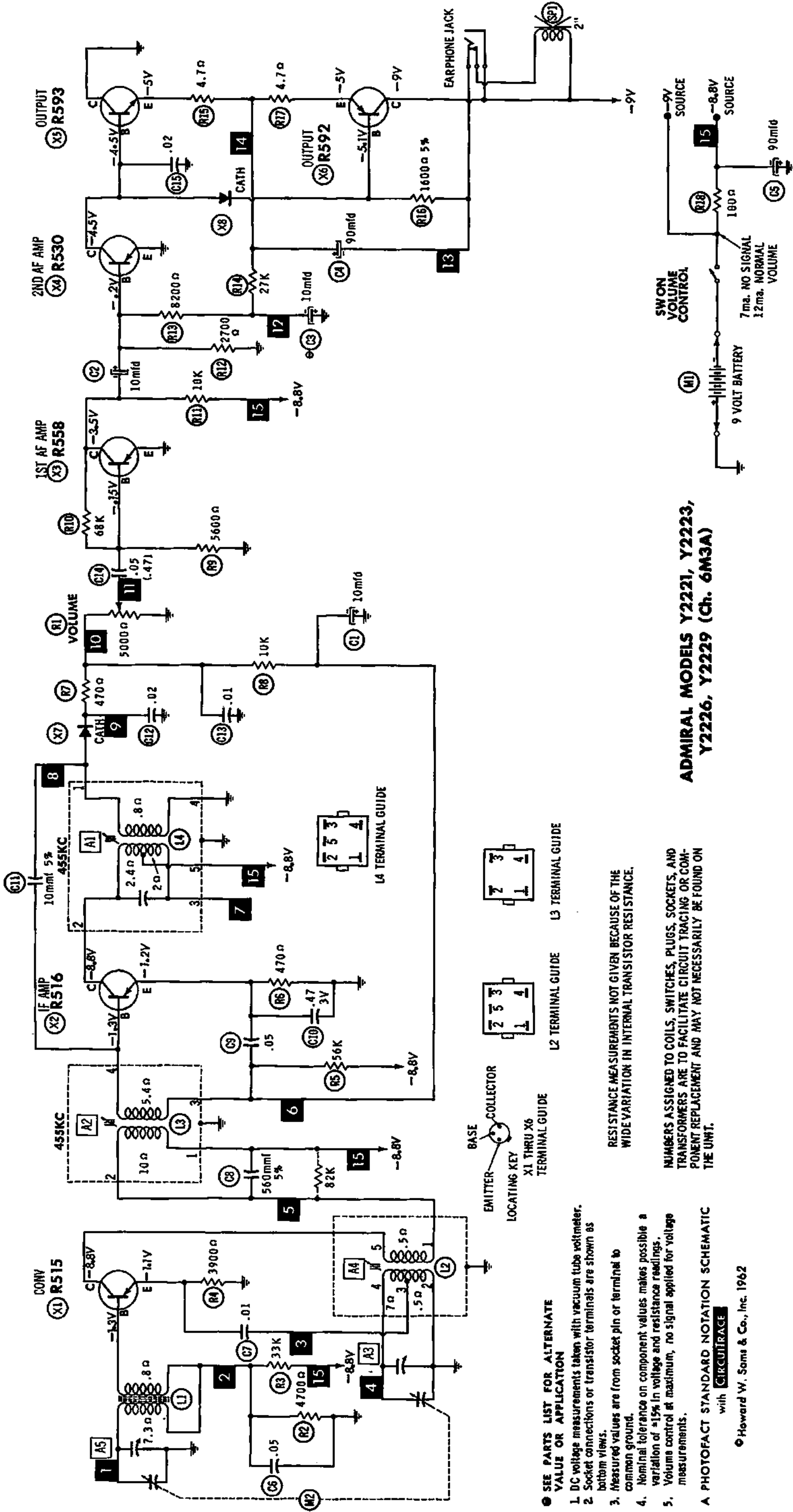
A1 thru A5.... GENERAL CEMENT #5009, 8195, 8274, 8275, 8728, 8729, 8987, 8988, 8989  
WALSCO #2515, 2531, 2532

SIGNAL GENERATOR COUPLING	SIGNAL GENERATOR FREQUENCY	RADIO DIAL SETTING	CONNECT VTVM	ADJUST	REMARKS
1. Parallel loop of several turns of wire and radiate signal into loop of receiver.	455KC (Unmod.)	Tuning gang fully open.	Across volume control.	A1, A2	Adjust for maximum deflection.
2. "	1635KC	1635KC	"	A3	"
3. "	535KC	Tuning gang fully closed.	"	A4	Adjust for maximum deflection. Repeat Steps 2 & 3.
4. "	1400KC	1400KC	"	A5	Adjust for maximum deflection.

**HOWARD W. SAMS & CO., INC.** Indianapolis 6, Indiana

The listing of any available replacement part herein does not constitute in any case a recommendation, warranty or guarantee by Howard W. Sams & Co., Inc., as to the quality and suitability of such replacement part. The numbers of these parts have been compiled from information furnished by Howard W. Sams & Co., Inc., by the manufacturers of

the particular type of replacement part listed. Reproduction or use, without express permission, of editorial or pictorial content, in any manner, is prohibited. No patent liability is assumed with respect to the use of the information contained herein. ©1962 Howard W. Sams & Co., Inc., Indianapolis 6, Indiana. Printed in U.S. of America



**ADMIRAL MODELS Y2221, Y2223, Y2226, Y2229 (Ch. 6M3A)**

SEE PARTS LIST FOR ALTERNATE VALUE OR APPLICATION

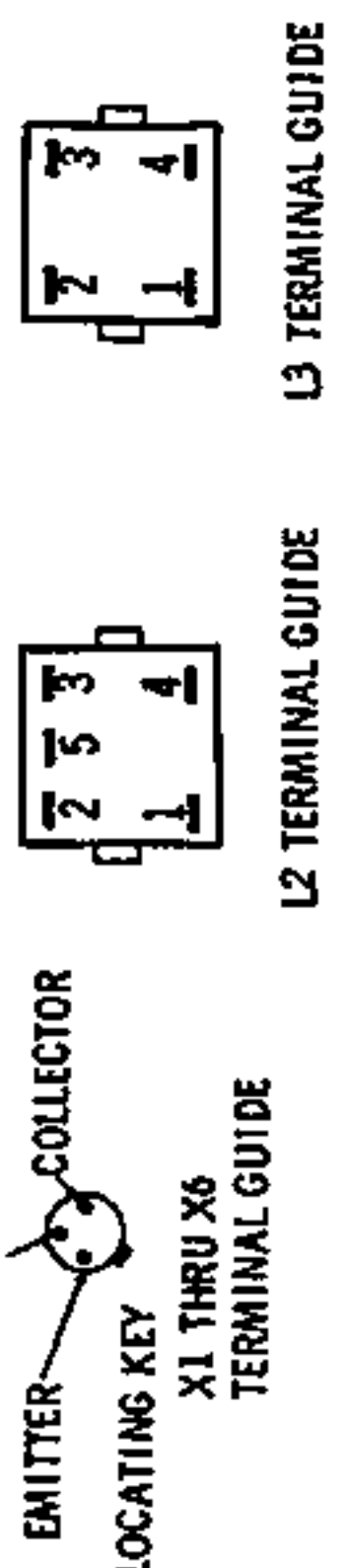
- DC voltage measurements taken with vacuum tube volt meter.
- Socket connections or transistor terminals are shown as bottom views.
- Measured values are from socket pin or terminal to common ground.
- Nominal tolerance on component values makes possible a variation of  $\pm 15\%$  in voltage and resistance readings.
- Volume control at maximum, no signal applied for voltage measurements.

A PHOTOFACT STANDARD NOTATION SCHEMATIC with **CIRCUITAGE**

© Howard W. Sams & Co., Inc. 1962

RESISTANCE MEASUREMENTS NOT GIVEN BECAUSE OF THE WIDE VARIATION IN INTERNAL TRANSISTOR RESISTANCE.

NUMBERS ASSIGNED TO COILS, SWITCHES, PLUGS, SOCKETS, AND TRANSFORMERS ARE TO FACILITATE CIRCUIT TRACING OR COMPONENT REPLACEMENT AND MAY NOT NECESSARILY BE FOUND ON THE UNIT.



L2 TERMINAL GUIDE L3 TERMINAL GUIDE

L4 TERMINAL GUIDE

# PARTS LIST AND DESCRIPTIONS WIRING DATA

REPRODUCED FROM THE ORIGINAL DRAWING BY THE

1958 REVISION NO.

ALL PARTS LISTED ARE  
AS SHOWN IN THE DRAWING  
UNLESS OTHERWISE SPECIFIED

APPROVED  
BY  
DATE

## TRANSISTORS

ITEM No.	TRANS TYPE	USE	REPLACEMENT DATA		TRANS
			RCA PART No.	RAYTHEON PART No.	
X1	1N118	Converter	2N1087	2N406	PNP
X2	1N118	1st Amplifier	2N1088	2N408	PNP
X3	1N508	1st AF Amplifier	2N408	2N508	PNP
X4	1N508	2nd AF Amp.	2N408	2N508	PNP
X5	1N503	Output	2N409		PNP
X6	1N502	Output	2N408	2N500	PNP

## POWER RECTIFIERS & SIGNAL DIODES

ITEM No.	CURRENT RATING (Measured)	ORIGINAL Part or Type No.	RECTIFIERS		DIODES	NOTES
			RCA PART No.	SARKES TARZIAN PART No.	RAYTHEON PART No.	
X7		93B27-1			1N60	Detector Bias Regulator
X8		93B27-1			1N60	

## ELECTROLYTIC CAPACITORS

ITEM No.	RATING		REPLACEMENT DATA						
	CAP.	VOLT.	ADMIRAL PART No.	AEROVOX PART No.	CORNELL-DUBILIER PART No.	GENERAL ELECTRIC PART No.	MALLORY PART No.	PYRAMID PART No.	SPRAGUE PART No.
C1	10	6	67C32-23		NLW10-6				TE-1087
C2	10	6	67C32-23		NLW10-6				TE-1087
C3	10	6	67C32-23 †		NLW10-6				TE-1087
C4	90	9	67C32-27						
C5	90	9	67C32-27						

† Late Production uses .05mfd in this Application.

## FIXED CAPACITORS

ITEM No.	RATING	REMARKS	REPLACEMENT DATA						
			AEROVOX PART No.	CENTRALAB PART No.	CORNELL-DUBILIER PART No.	ELMENCO PART No.	MALLORY PART No.	SPRAGUE PART No.	
C6	.05		C80V503AM	DA-503					TG-S50
C7	.01		C80V103AM	DM-103	H-05S1			TA-110	TG-S10
C8	560 5%		1469-00056		5R5T56	CM-19B-561J		MCJ247	MS-356
C9	.05		C80V503AM	DA-503					TG-S50
C10	.47 3V			UK-474	HCC3474P				HY-135
C11	10 5%		NPO-DI 10	DTZ-10	C10Q1C	CCTO-100		CNO-410	10TCC-Q10
C12	.02		C80V203AM	DA-203	H-05S2			TA-120	TG-S20
C13	.01		C80V103AM	DM-103	H-05S1			TA-110	TG-S10
C14	.05	(.47) †	C80V503AM	DA-503					TG-S50
C15	.02		C80V203AM	DA-203	H-05S2			TA-120	TG-S20

† Used in Late Production.

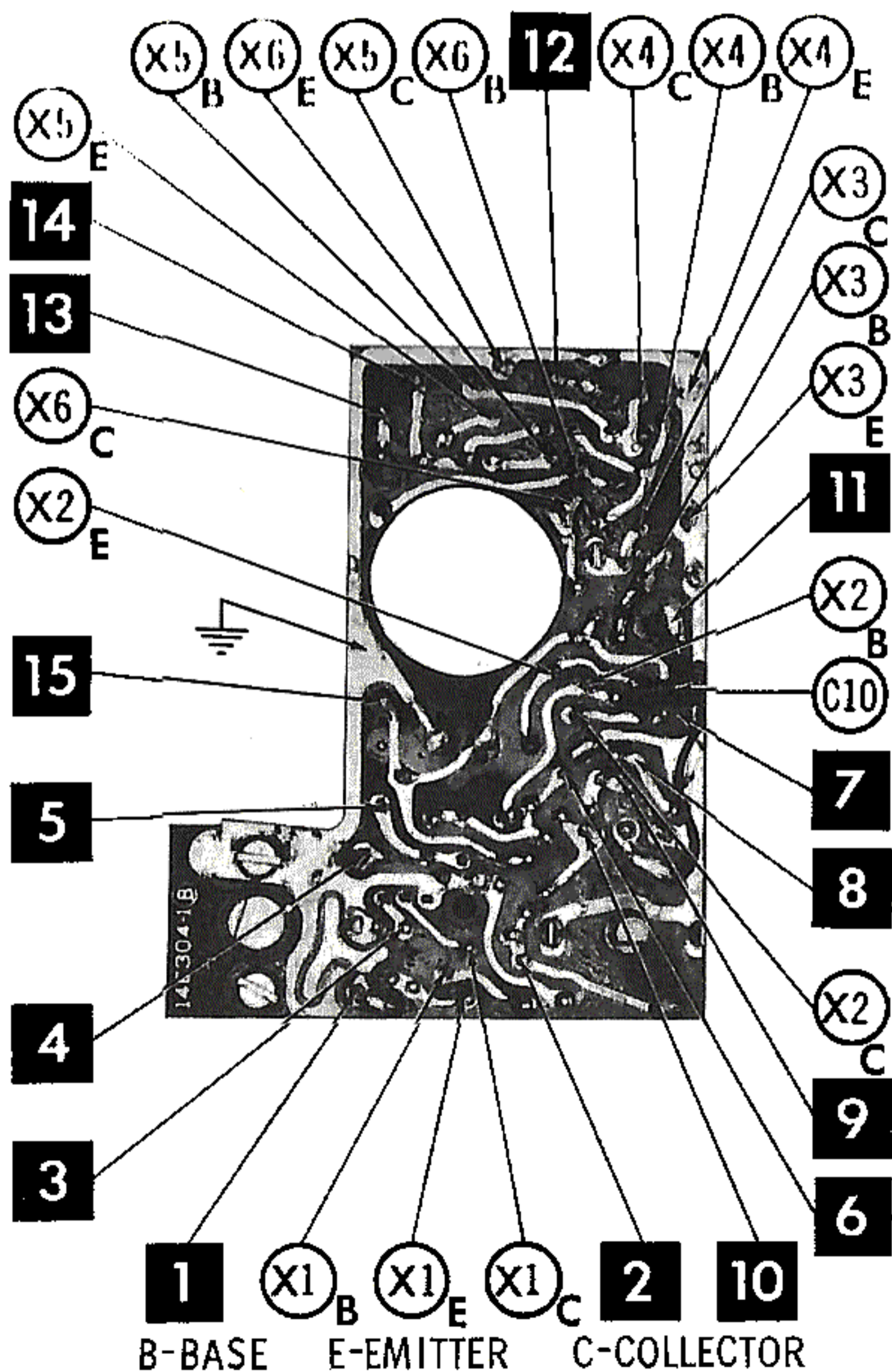
## CONTROLS

All wattages 1/2 watt, or less, unless otherwise listed.

ITEM No.	USE	RESIST-ANCE	REPLACEMENT DATA				
			ADMIRAL PART No.	CENTRALAB PART No.	CLAROSTAT PART No.	CTS-IRC PART No.	MALLORY PART No.
R1	Volume & Switch	5000Ω	75C69-4				

# PRINTED BOARD

A Howard W. Kern Photo



# PARTS LIST AND DESCRIPTIONS (Continued)

## RESISTORS

All wattages 1/2 watt, or less, unless otherwise listed.

ITEM No.	RATING	REPLACEMENT DATA			ITEM No.	RATING	REPLACEMENT DATA		
		IRC PART No.	WORKMAN PART No.	REMARKS			IRC PART No.	WORKMAN PART No.	REMARKS
R2	4700Ω				R11	10K			
R3	33K				R12	2700Ω			
R4	3900Ω				R13	8200Ω			
R5	56K				R14	27K			
R6	470Ω				R15	4.7Ω			
R7	470Ω				R16	1800Ω 5%			
R8	10K				R17	4.7Ω			
R9	5600Ω				R18	100Ω			
R10	68K								

## COILS (RF-IF)

ITEM No.	USE	REPLACEMENT DATA					NOTES
		ADMIRAL PART No.	Merit PART No.	Miller PART No.	Stancor PART No.	Workman PART No.	
L1	Loopbar	69C265-4					
L2	Osc.	69C272-1					
L3	Input IF	72C235-3					
L4	Output IF	72C235-4					

## SPEAKER

ITEM No.	TYPE			REPLACEMENT DATA		NOTES
	SIZE	FIELD	V. C. IMP.	ADMIRAL PART No.	QUAM PART No.	
SP1	2"	PM	30-35Ω	78C177-2		

## BATTERIES

ITEM No.	VOLTAGE	ADMIRAL PART No.	REPLACEMENT DATA						NOTES
			BURGESS		EVEREADY		MALLORY		
			"A"	"B"	"A"	"B"	"A"	"B"	
M1	9V			L6		206		M-1611	

## MISCELLANEOUS

ITEM No.	PART NAME	ADMIRAL PART No.	NOTES
M2	Tuning Cap.	68C88-1	2 Gang

## CABINETS & CABINET PARTS

(When Ordering Cabinets & Cabinet Parts, Specify Model, Chassis & Color)

NAME	PART NO.	DESCRIPTION
Knob	33C469-2	Volume
Knob	33C469-1	Tuning
Cabinet Front	A-8627	Black, Model Y2221
Cabinet Front	A-8628	White, Model Y2223
Cabinet Front	A-8629	Yellow, Model Y2226
Cabinet Front	A-8630	Blue, Model Y2229
Cabinet Back	34E186-10	Black, Model 2221
Cabinet Back	34E186-12	White, Model Y2223
Cabinet Back	34E186-14	Yellow, Model Y2226
Cabinet Back	34E186-8	Blue, Model Y2229

# CHASSIS—TOP VIEW

