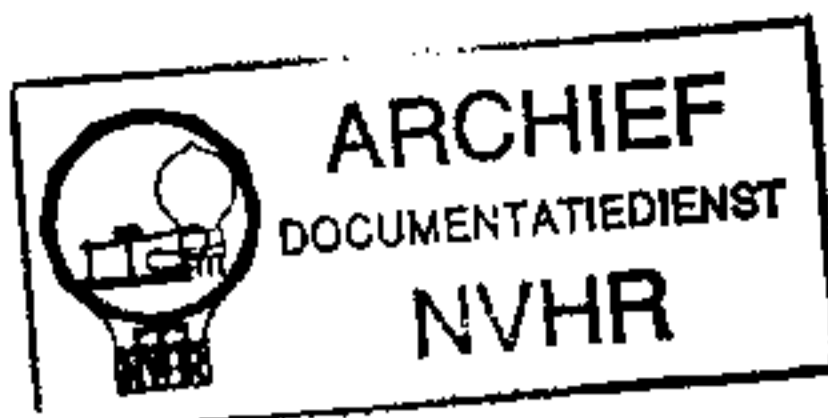
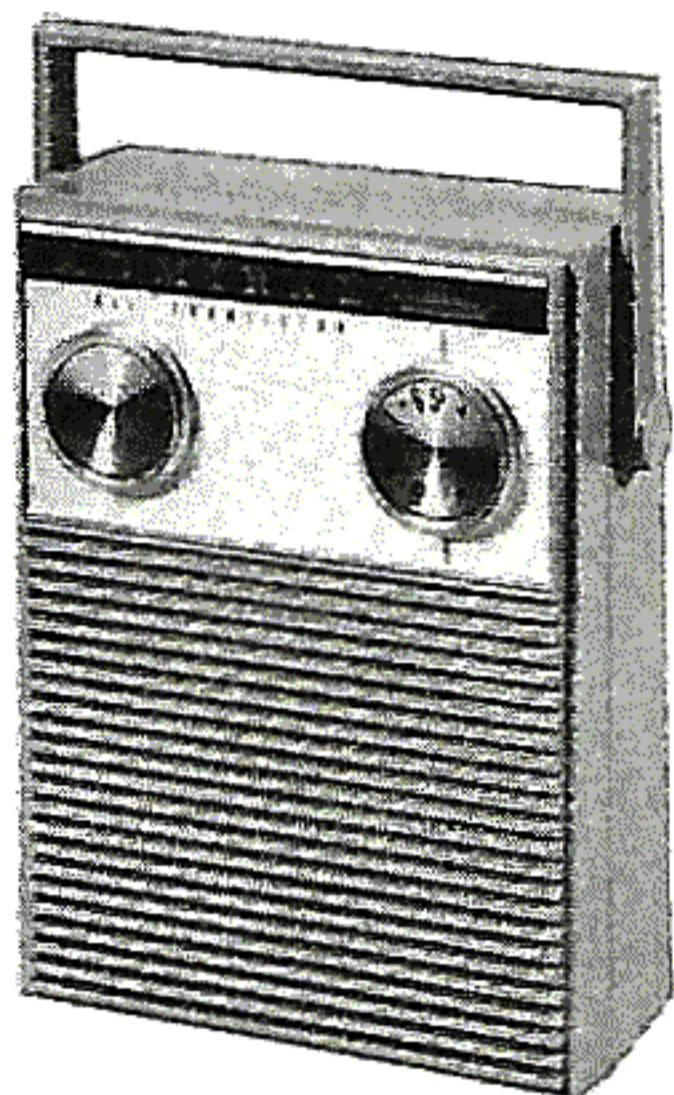




Met dank aan Jef Bos



ARCHIEF
DOCUMENTATIEDIENST
NVHR



TRADE NAME: Admiral Models Y2081A, Y2082A, Y2083A,
(Ch. 7B2C)... Y2252, Y2253, Y2256
(Ch. 7B2D)

SUPPLIER: Admiral Corp., National Service Div.,
903 Morrissey Drive, P. O. Box 845,
Bloomington, Illinois

TYPE SET: 7 Transistor AM Receiver

POWER SUPPLY: 6 Volts DC

RATING: 8MA@6 VDC (No Signal, Min. Volume)
18MA@6 VDC (Signal, Normal Volume)

TUNING RANGE: BROADCAST 535 - 1620KC

ALIGNMENT INSTRUCTIONS

Check for specified source voltage.

Fashion loop of several turns of wire and connect generator across loop.

Adjust output of generator to radiate only enough signal into receiver to obtain a suitable indication.

Suggested Alignment Tools:

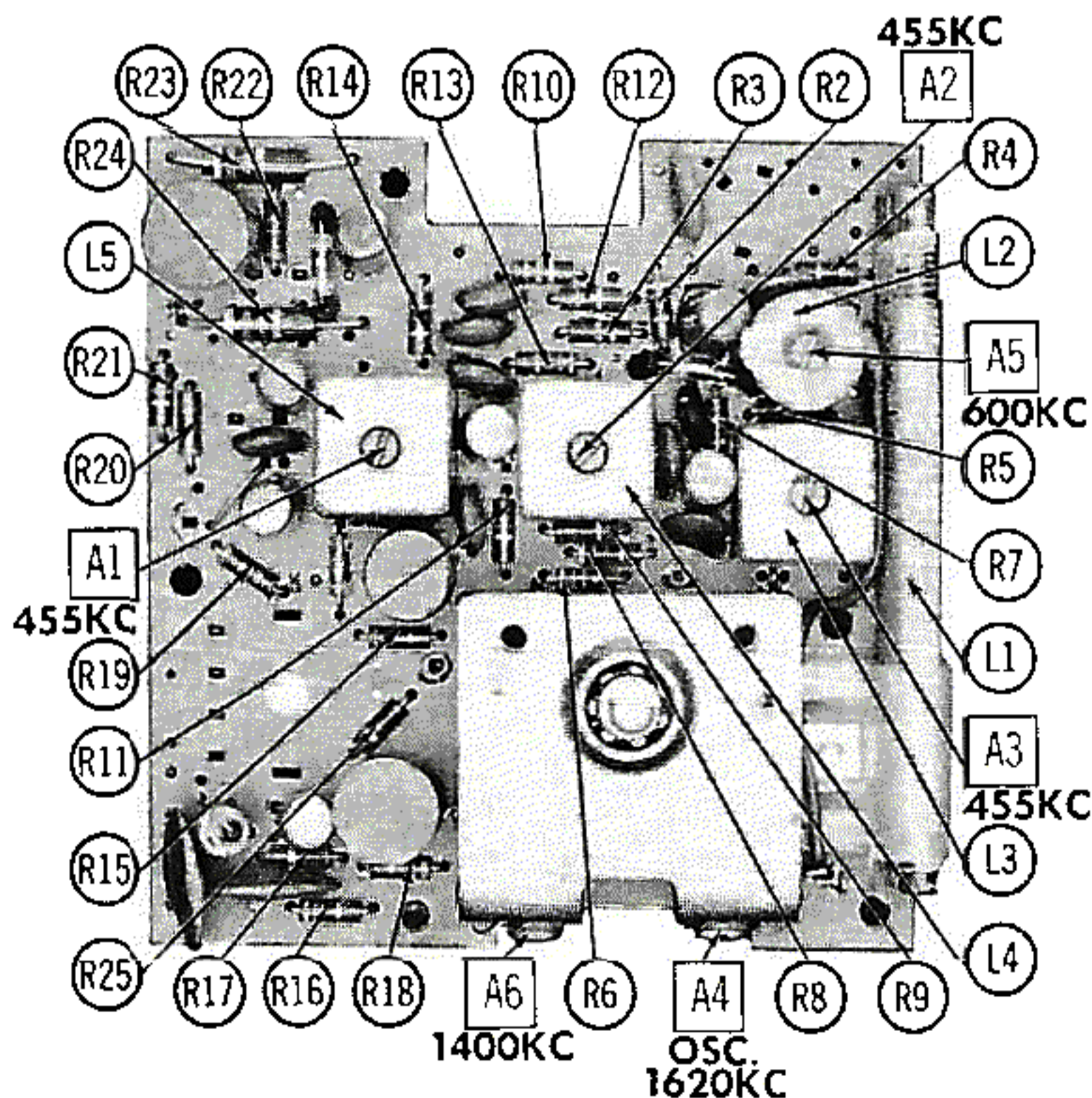
A1, A2, A3, A5..... GENERAL CEMENT #5067, 8282, 8606

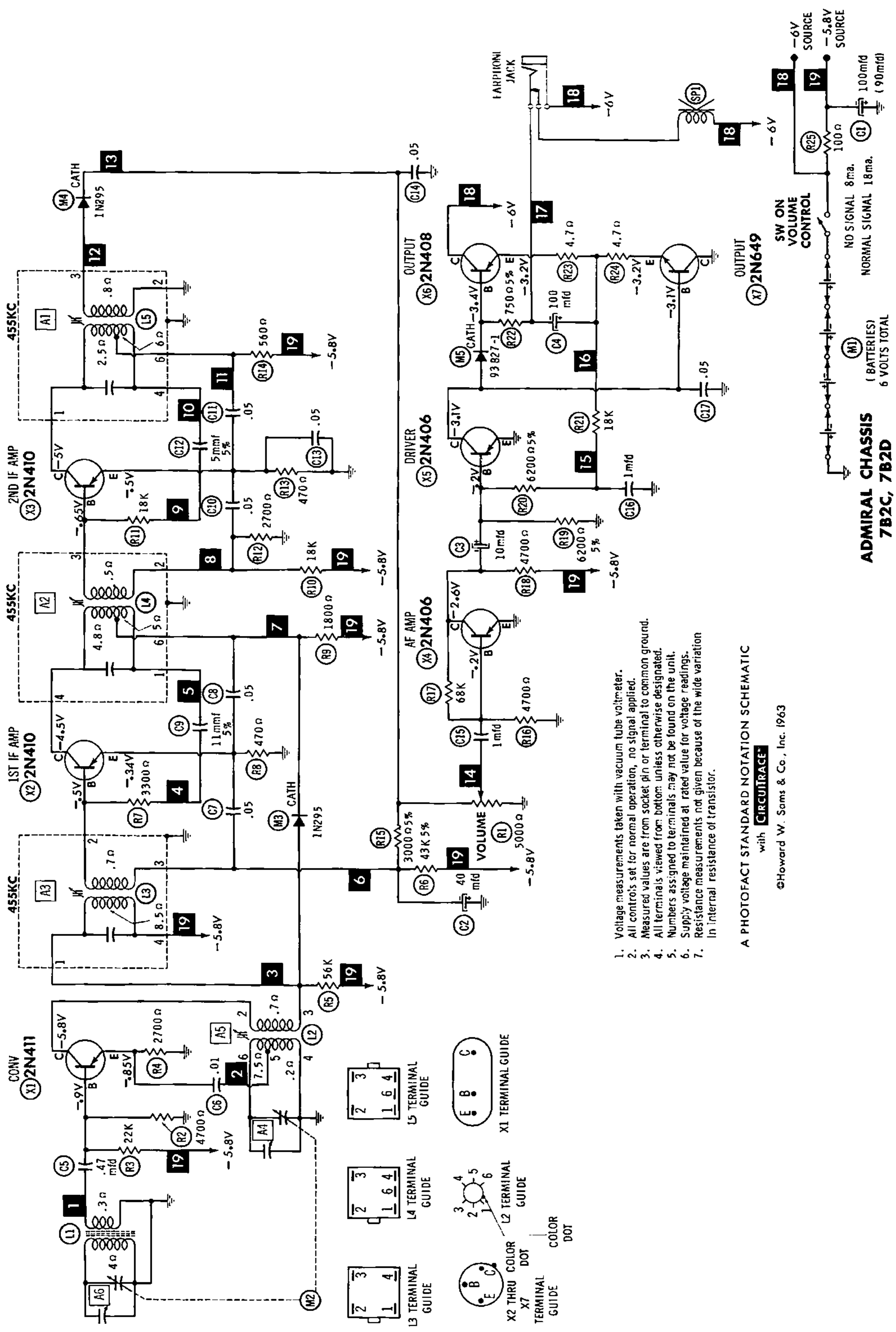
WALSCO #2526, 2543

A4, A6..... GENERAL CEMENT #5000, 5066, 8290

WALSCO #2525

	SIGNAL GENERATOR FREQUENCY	RADIO DIAL SETTING	INDICATOR	ADJUST	REMARKS
1.	455KC (400% Mod.)	Tuning gang fully open.	Output Meter across voice coil.	A1, A2, A3	Adjust for maximum. Repeat as required.
2.	1620KC	"	"	A4	Adjust for maximum.
3.	600KC	Tune to Signal.	"	A5	Rock tuning gang and adjust for maximum. Repeat steps 2 and 3.
4.	1400KC	"	"	A6	Adjust for maximum.





1. Voltage measurements taken with vacuum tube voltmeter.
2. All controls set for normal operation, no signal applied.
3. Measured values are from socket pin or terminal to common ground.
4. All terminals viewed from bottom unless otherwise designated.
5. Numbers assigned to terminals may not be found on the unit.
6. Supply voltage maintained at rated value for voltage readings.
7. Resistance measurements not given because of the wide variation in internal resistance of transistor.

A PHOTOFAC STANDARD NOTATION SCHEMATIC
with **CIRCUITRACE**

©Howard W. Sams & Co., Inc. 1963

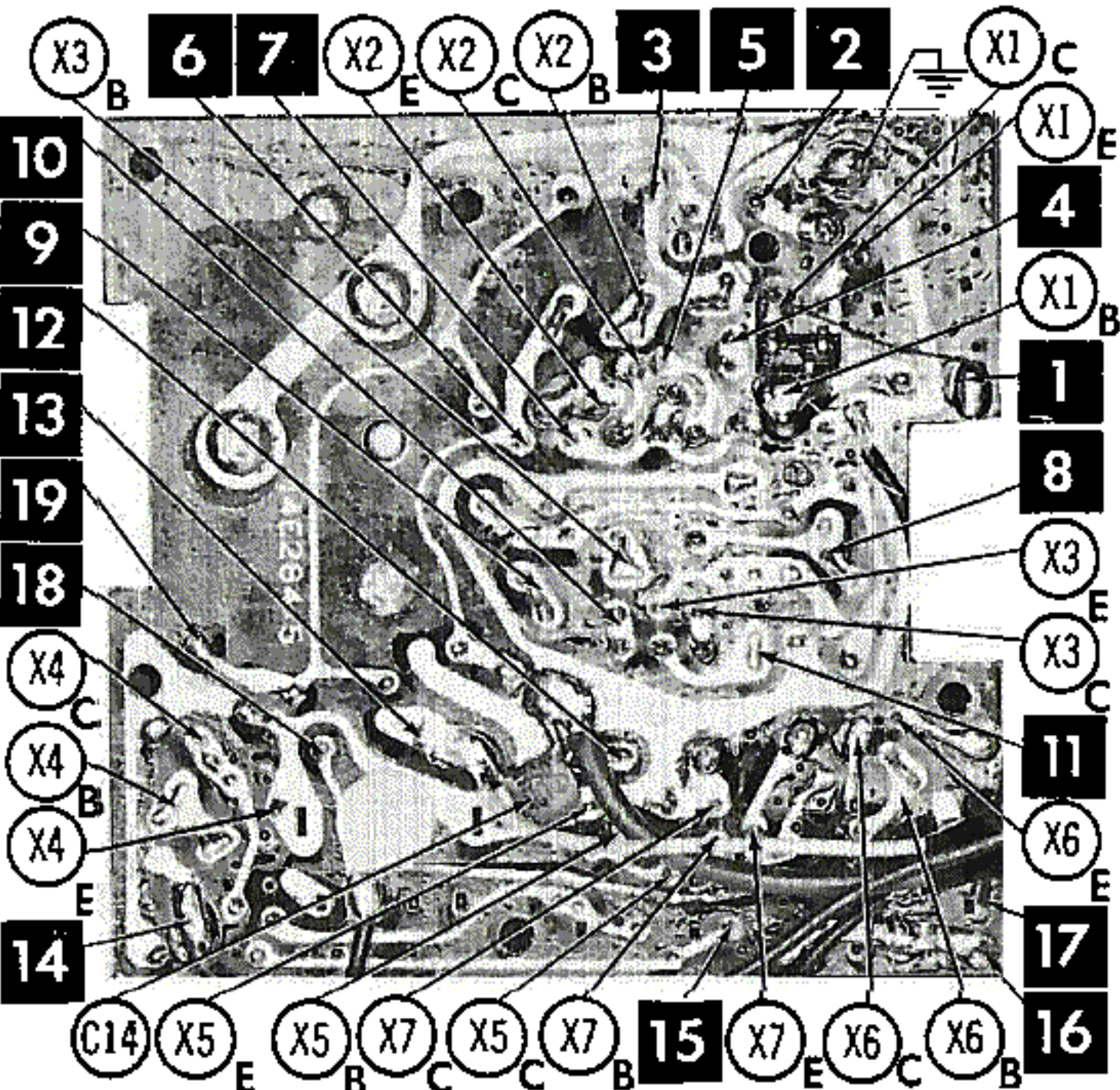
**ADMIRAL CHASSIS
7B2C, 7B2D**

(M1) (BATTERIES)
6 VOLTS TOTAL

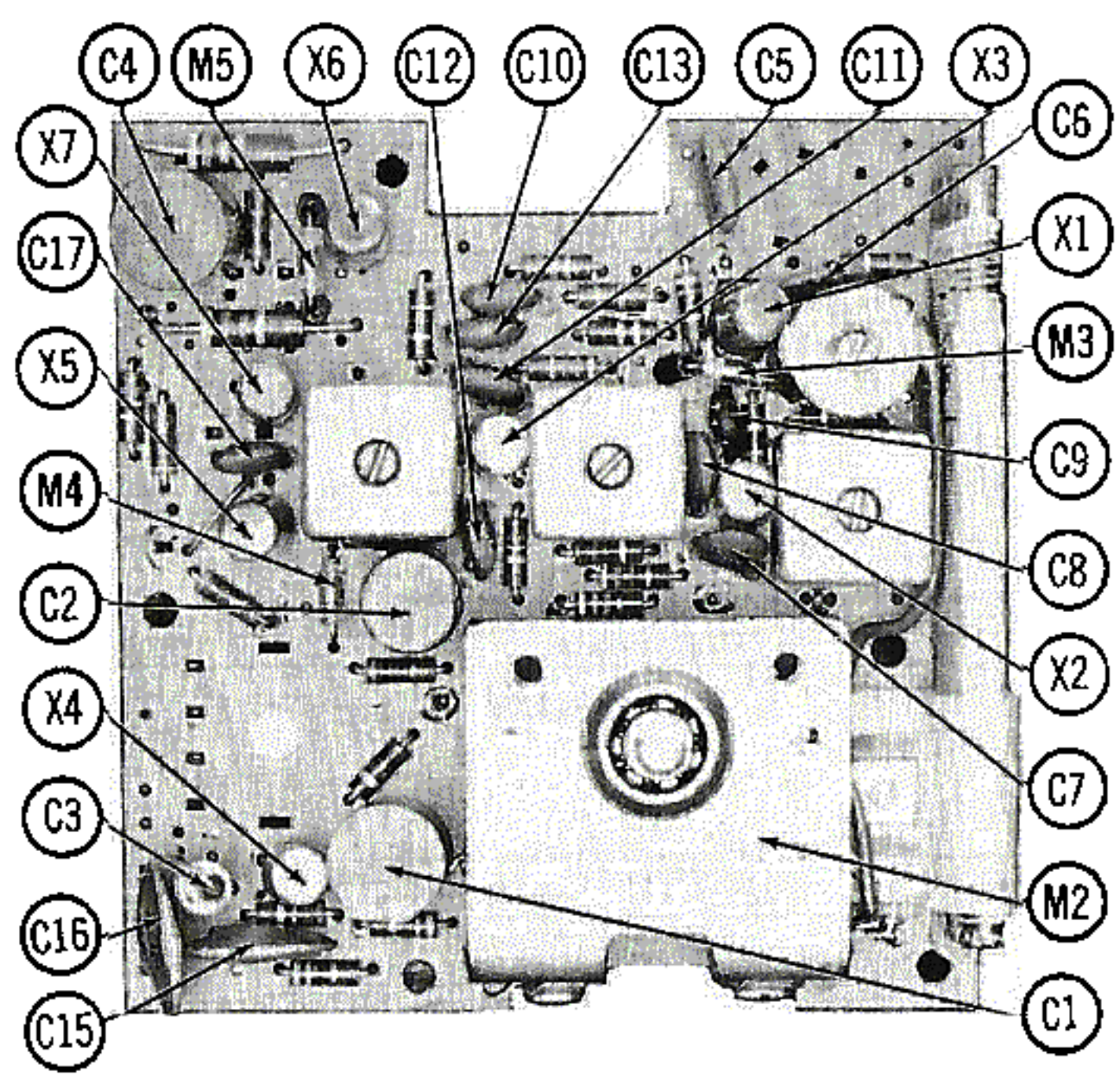
NORMAL SIGNAL 18ma.
NO SIGNAL 8ma.

(C1) 100mfd
(90mfd)

-6V SOURCE
-5.8V SOURCE



E-EMITTER B-BASE C-COLLECTOR



WIRING DATA

General-use Unshielded Hook-up Wire	Use BELDEN No. 8530 (Solid 22AWG) 8524 (Stranded 22AWG) 8570 (Stranded 26AWG)	Available in 12 Colors
---	---	------------------------------

TRANSISTORS

ITEM No.	ORIG. TYPE	USE	REPLACEMENT DATA			NOTES
			DELCO PART No.	GENERAL ELECTRIC PART No.	RCA PART No.	
X1	2N411	Converter	DS-25	GE-1	2N411	PNP
X2	2N410	1st IF Amp.	DS-25	GE-1	2N410	PNP
X3	2N410	2nd IF Amp.	DS-25	GE-1	2N410	PNP
X4	2N406	AF Amp.	DS-26	GE-2	2N406	PNP
X5	2N406	Driver	DS-26	GE-2	2N406	PNP
X6	2N408	Output	DS-26	GE-2	2N408	PNP
X7	2N649	Output		GE-8		NPN

ELECTROLYTIC CAPACITORS

ITEM No.	RATING		REPLACEMENT DATA						
	CAP.	VOLT.	ADMIRAL PART No.	AEROVOX PART No.	CORNELL-DUBILIER PART No.	GENERAL ELECTRIC PART No.	MALLORY PART No.	PYRAMID PART No.	SPRAGUE PART No.
C1	100	9	67B32-18	BCD10100	ECPB417	MT1-19	PET1400	MLV100-10	VL-1140
C2	40	3	67B32-9	BCD3035	ECPB114	MT1-15	PET140	MLV40-3	TE-1057
C3	10	3	67B35-6	PTT6	NLW10-3	MT1-5	TT3X10	MLV10-3	TE-1053
C4	100	9	67B32-18	BCD10100	ECPB417	MT1-19	PET1400	MLV100-10	VL-1140

FIXED CAPACITORS

ITEM No.	RATING	REMARKS	REPLACEMENT DATA					
			AEROVOX PART No.	CENTRALAB PART No.	CORNELL-DUBILIER PART No.	ELMENCO PART No.	MALLORY PART No.	SPRAGUE PART No.
C5	.47 3V			UK10-404	HCC10474Z			HY-330
C6	.01 50V		TTD-01	CK-103	H05S1		TA-110	TG-S10
C7	.05 10V		TTD-05	CK-503	H05S5		TA-150	TG-S50
C8	.05 10V		TTD-05	CK-503	H05S5		TA-150	TG-S50
C9	11 N750 5%		N750-DI 10	DTN-10	C10Q12U	CCTN-100	CN7-412	10TCU-Q12
C10	.05 10V		TTD-05	CK-503	H05S5		TA-150	TG-S50
C11	.05 10V		TTD-05	CK-503	H05S5		TA-150	TG-S50
C12	5 NPO 5%		NPO-DI 5.0	DTZ-4R7	C10V5C	CC TO-050	CNO-547	10TCC-V50
C13	.05 10V		TTD-05	CK-503	H05S5		TA-150	TG-S50
C14	.05 10V		TTD-05	CK-503	H05S5		TA-150	TG-S50
C15	1.0mfd 3V			UK-105	HCC3105P			HY-135
C16	1.0mfd 3V			UK-105	HCC3105P			HY-135
C17	.05 10V		TTD-05	CK-503	H05S5		TA-150	TG-S50

CONTROLS

All wattages 1/2 watt, or less, unless otherwise listed.

ITEM No.	USE	RESISTANCE	REPLACEMENT DATA				
			ADMIRAL PART No.	CENTRALAB PART No.	CLAROSTAT PART No.	CTS-IRC PART No.	MALLORY PART No.
R1	Volume & Switch	5000Ω	70B36-3①				

① Part #75C69-2 used in Chassis 7B2C. Part #75C36-3 used in some Chassis 7B2D.

DESCRIPTION

COILS (RF-IF)

ITEM No.	USE	REPLACEMENT DATA					NOTES
		ADMIRAL PART No.	MERIT PART No.	MILLER PART No.	STANCOR PART No.	WORKMAN PART No.	
L1	Loopstick	69C218-18 ①					① Part #69C218-12 used in Chassis 7B2C.
L2	Osc.	69C246-2				T550	
L3	1st IF	72C182-11				TA643	
L4	2nd IF	72C182-12				TA644	
L5	3rd IF	72C182-13				TA641	

SPEAKER

ITEM No.	TYPE	REPLACEMENT DATA		NOTES
		ADMIRAL PART No.	QUAM PART No.	
SP1	4" PM 25Ω 3" x 4" PM 25Ω	78B170-3 78B163-2	4A07Z25	Chassis 7B2D Chassis 7B2C

BATTERIES

ITEM No.	VOLTAGE	ADMIRAL PART No.	REPLACEMENT DATA			NOTES
			BURGESS	EVEREADY	MALLORY	
M1	6 6		1 Z	635 (or E93) 915	M14R M-15F	Note 1 Note 2

Note 1. 4 Used. Chassis 7B2D.

Note 2. 4 Used. Chassis 7B2C.

MISCELLANEOUS

ITEM No.	PART NAME	ADMIRAL PART No.	NOTES
M2	Tuning Cap.	68C82-6	2 Gang. Chassis 7B2C uses Part #68C82-1.
M3	AVC (1N295)	57D1-2	
M4	Detector (1N295)	57D1-2	
M5	Bias Regulator	93B27-1	

CABINETS & CABINET PARTS

(When Ordering Specify Model, Chassis & Color)

ITEM	PART No.	ITEM	PART No.
Knob, Tuning - Models Y20 Series	33B392-4	Cabinet Back, Black - Model Y2081A	34E158-23
Knob, Tuning - Models Y22 Series	33B452-2	Cabinet Back, Coral - Model Y2082A	34E158-35
Knob, Volume - Models Y20 Series	33B392-3	Cabinet Back, White - Model Y2083A	34E158-27
Knob, Volume - Models Y22 Series	33B452-1	Cabinet Back, Coral - Model Y2252	34E179-2
Cabinet Front, Black - Model Y2081A	A8601	Cabinet Back, White - Model Y2253	34E179-4
Cabinet Front, Coral - Model Y2082A	A8602	Cabinet Back, Yellow - Model Y2256	34E179-6
Cabinet Front, White - Model Y2083A	A8603	Handle, Coral - Model Y2252	33C453-1
Cabinet Front, Coral - Model Y2252	A8620	Handle, White - Model Y2253	33C453-2
Cabinet Front, White - Model Y2253	A8618	Handle, Yellow - Model Y2256	33C453-3
Cabinet Front, Yellow - Model Y2256	A8621		