

Met dank aan Jef Bos



MODEL Y2081

TRADE NAME	Admiral Models Y2081, Y2082, Y2083 (Ch. 7B2); Y2101, Y2102, Y2108 (Ch. 7B2B)		
MANUFACTURER	Admiral Sales Corp., Service Div., 903 Morrissey Drive, P. O. Box 845, Bloomington, Illinois		
TYPE SET	Battery Operated Transistorized Portable AM Receiver		
POWER SUPPLY	6 Volts DC	RATING	7MA @ 6 Volts DC (No Signal, Min. Volume)
TUNING RANGE—BROADCAST	545 — 1620KC		25MA @ 6 Volts DC (Signal, Normal Volume)

ALIGNMENT INSTRUCTIONS

ALIGNMENT INSTRUCTIONS—READ CAREFULLY BEFORE ATTEMPTING ALIGNMENT

Tuning control should be at maximum position. Output of signal generator should be no higher than necessary to obtain an output reading.

Suggested Alignment Tools: A1, A2, A3, A5... GENERAL CEMENT #5009, 8195, 8274, 8275, 8728, 8729, 8987, 8988, 8989
 WALSCO #2515, 2531, 2532
 A4, A6... GENERAL CEMENT #5004, 5009, 8195, 8274, 8275, 8607, 8728, 8987, 8988, 8989, 9291
 WALSCO #2515, 2520, 2522, 2523, 2531, 2532, 2534, 2537, 2538

SIGNAL GENERATOR COUPLING	SIGNAL GENERATOR FREQUENCY	RADIO DIAL SETTING	OUTPUT METER	ADJUST	REMARKS
Loop	455KC	Tuning gang fully open.	Across voice coil.	A1, A2, A3	Fashion loop of several turns of wire and radiate signal into loop of receiver. Adjust for maximum output.
"	1620KC	"	"	A4	"
"	535KC	Tuning gang fully closed.	"	A5	"
"	1400KC	1400KC Signal.	"	A6	Adjust for maximum output. Repeat Steps 2, 3 and 4.

DISASSEMBLY

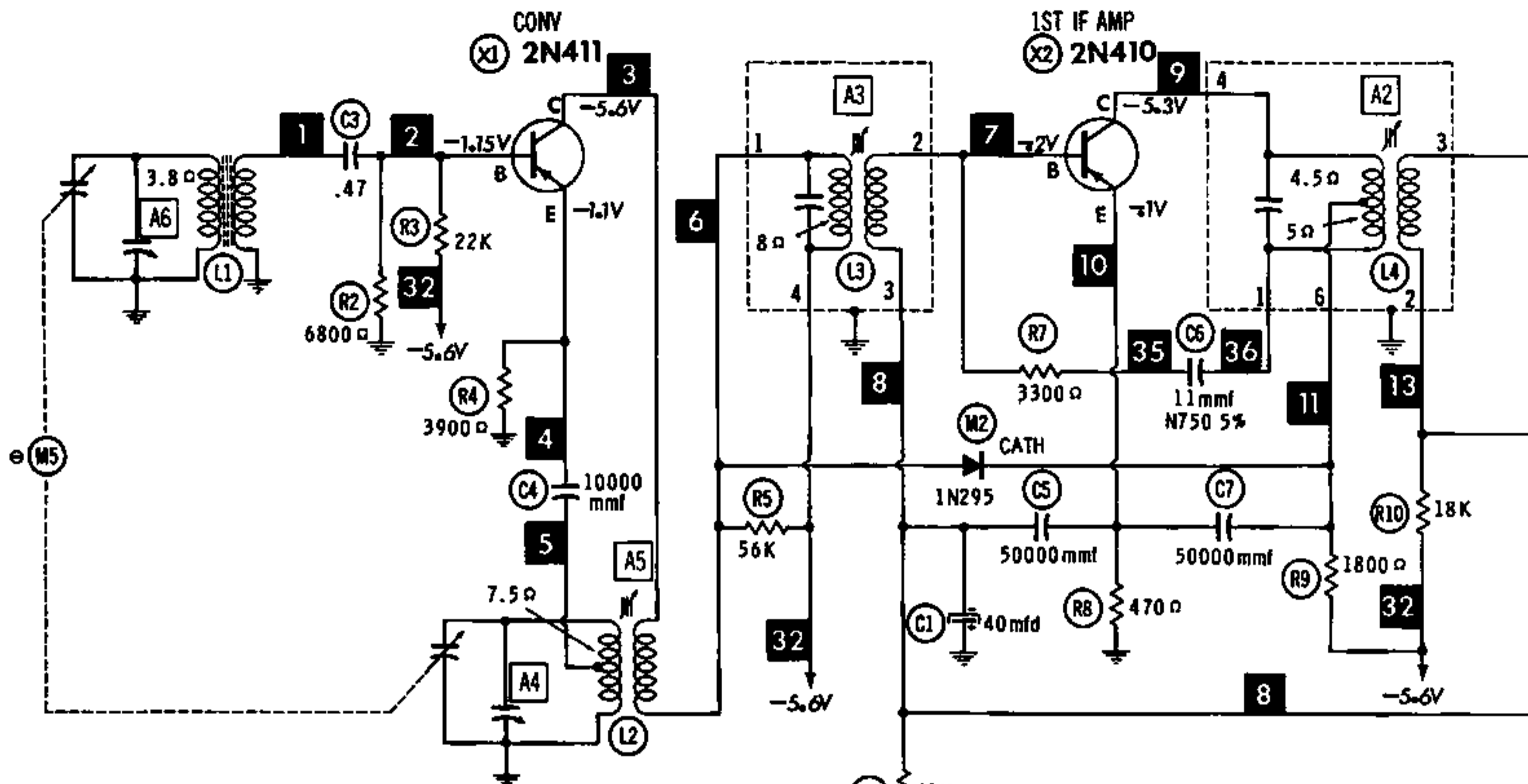
1. Remove rear cover by inserting coin in slot on bottom rear edge and twisting.
2. Remove knobs by pulling off.
3. Remove screw holding battery holder to speaker frame.
4. Remove 3 Phillips screws from rear center outside edges of printed board. (Do not remove the 4 Phillips screws near tuning shaft) A spacer is used with each mounting screw.
5. Remove chassis.

HOWARD W. SAMS & CO., INC. Indianapolis 6, Indiana

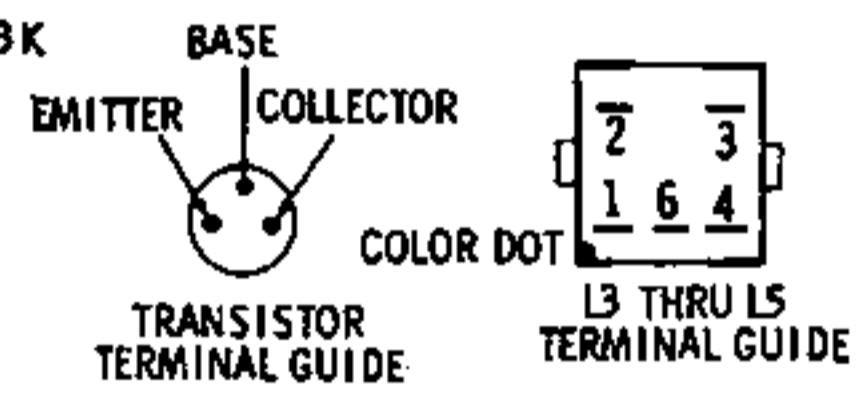
The listing of any available replacement part herein does not constitute in any case a recommendation, warranty or guarantee by Howard W. Sams & Co., Inc., as to the quality and suitability of such replacement part. The numbers of these parts have been compiled from information furnished to Howard W. Sams & Co., Inc., by the manufacturers of

the particular type of replacement part listed. Reproduction or use, without express permission, of editorial or pictorial content, in any manner, is prohibited. No patent liability is assumed with respect to the use of the information contained herein. © 1961 Howard W. Sams & Co., Inc., Indianapolis 6, Indiana. Printed in U.S. of America

ADMIRAL MODELS Y2081, Y2082, Y2083, Y2101, Y2102, Y2108 (Ch. 7B2, 7B2B)



1. DC voltage measurements taken with vacuum tube voltmeter.
2. Socket connections or transistor terminals are shown as bottom views.
3. Measured values are from socket pin or terminal to common ground.
4. Nominal tolerance on component values makes possible a variation of $\pm 15\%$ in voltage and resistance readings.
5. Volume control at maximum, no signal applied for voltage measurements.

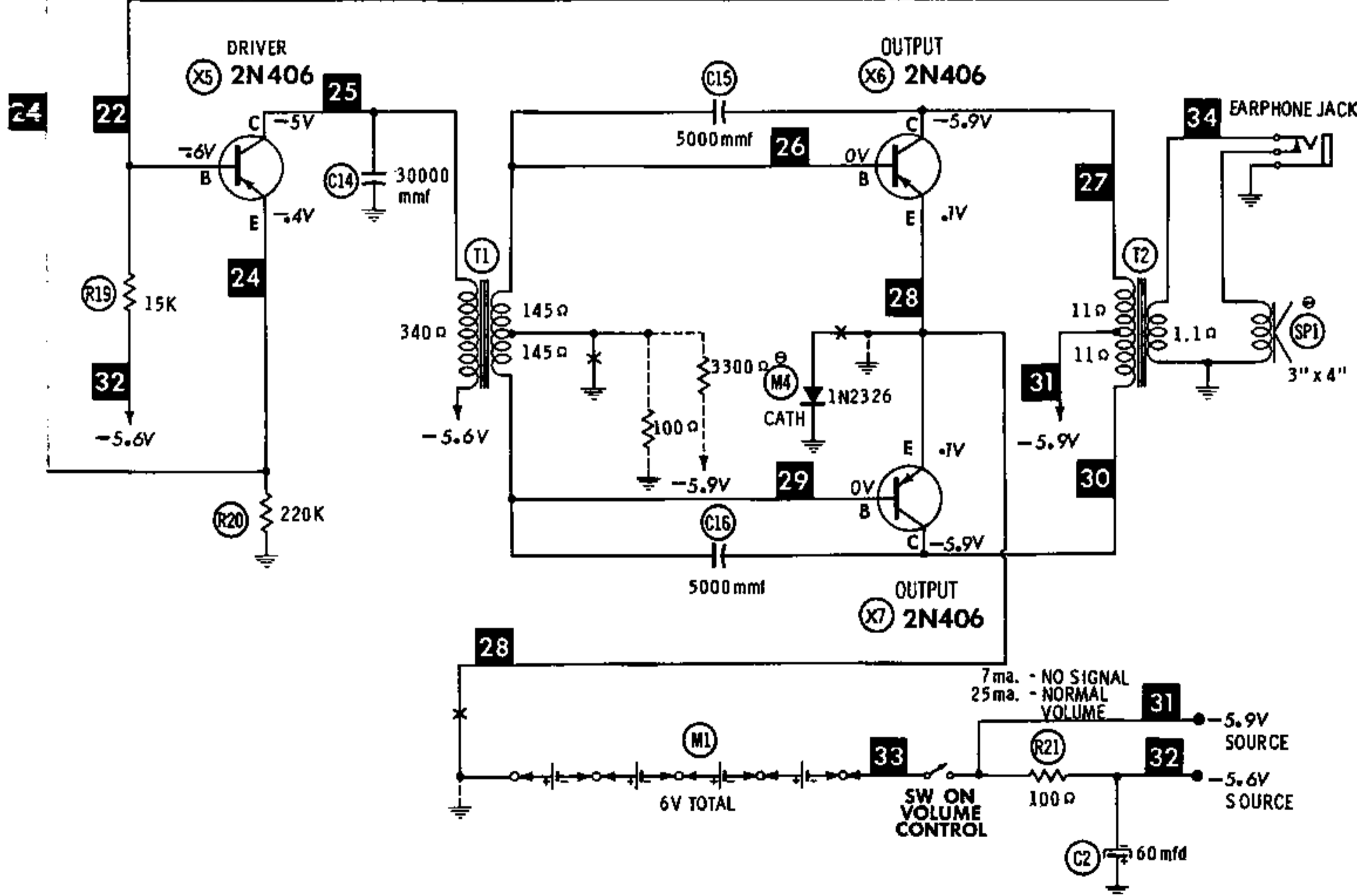
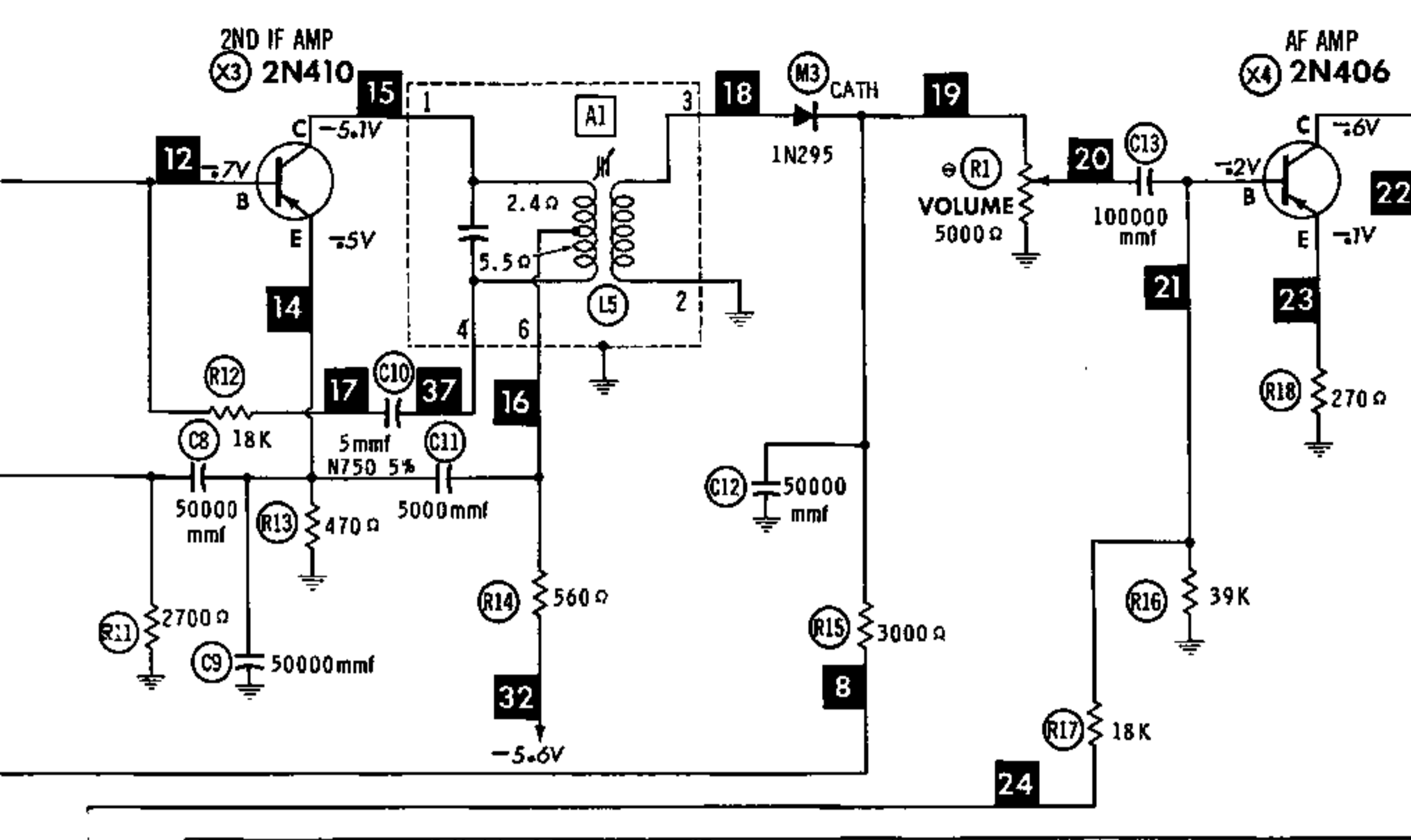


NUMBERS ASSIGNED TO COILS, SWITCHES, PLUGS, SOCKETS, AND TRANSFORMERS ARE TO FACILITATE CIRCUIT TRACING OR COMPONENT REPLACEMENT AND MAY NOT NECESSARILY BE FOUND ON THE UNIT.

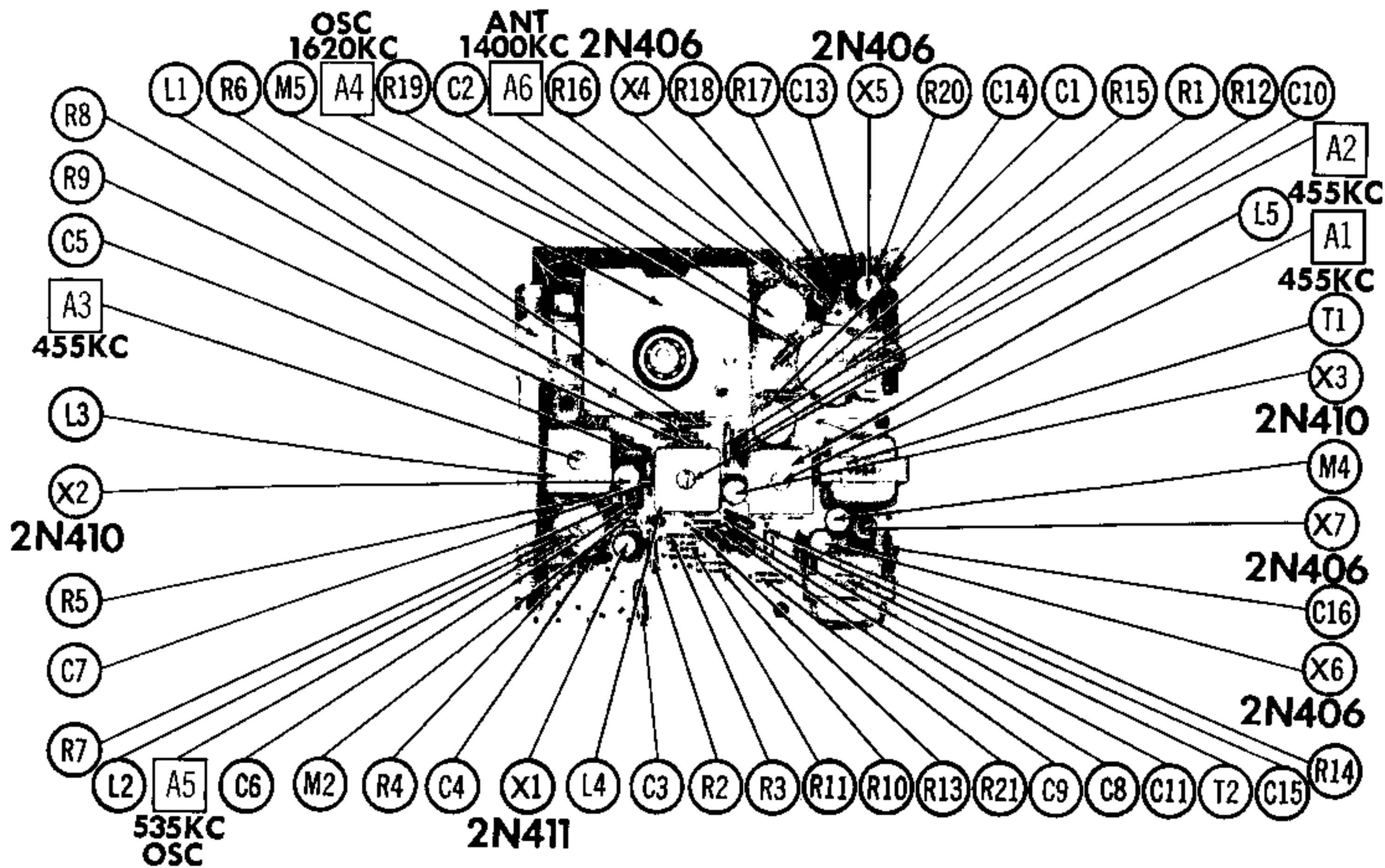
RESISTANCE MEASUREMENTS NOT GIVEN BECAUSE OF THE WIDE VARIATION IN INTERNAL TRANSISTOR RESISTANCE.

SEE PARTS LIST FOR ALTERNATE VALUE OR APPLICATION

DC COIL RESISTANCE VALUES UNDER ONE OHM NOT SHOWN ON SCHEMATIC DIAGRAM



ADMIRAL MODELS Y2081, Y2082, Y2083, Y2101, Y2102, Y2108 (Ch. 7B2, 7B2B)



CHASSIS TOP VIEW

PARTS LIST AND DESCRIPTIONS

TRANSISTORS

ITEM No.	TRANSISTOR TYPE	USE	REPLACEMENT DATA			POLARITY
			ADMIRAL PART No.	CORNELL-DUBILIER PART No.	MALLORY PART No.	
X1	2N411	Converter	2N411	2N4400	2N411	PNP
X2	2N410	1st IF Amplifier	2N410	2N4401	2N410	PNP
X3	2N410	2nd IF Amplifier	2N410	2N4403	2N410	PNP
X4	2N408	AF Amplifier	2N408	2N633	2N408	PNP
X5	2N408	Driver	2N408	2N633	2N408	PNP
X6	2N408	Output	2N408	2N633	2N408	PNP
X7	2N408	Output	2N408	2N633	2N408	PNP

} Matched Pair

ELECTROLYTIC CAPACITORS

ITEM No.	RATING		REPLACEMENT DATA					NOTES
	CAP.	VOLT.	ADMIRAL PART No.	AEROVOX PART No.	CORNELL-DUBILIER PART No.	MALLORY PART No.	PYRAMID PART No.	
C1	40	3	67B32-9	BCD3035	ECPB114	PET140	MLV40-3	VL-1045
C2	60	6	67B32-8	BCD6075	ECPB116	PET1260	MLV50-6	VL-1097

FIXED CAPACITORS

Capacity values given in the rating column are in mfd. for Paper Capacitors, and in mmfd. for Mica and Ceramic Capacitors.

ITEM No.	RATING	REMARKS	REPLACEMENT DATA						
			AEROVOX PART No.	CENTRALAB PART No.	CORNELL-DUBILIER PART No.	ELMENCO PART No.	MALLORY PART No.	SPRAGUE PART No.	
C3	.47 3V	#65B45-16		UK-474				HY-130	
C4	10000 50V		C80V103AM	DM-103	H-05S1		TA-110	TG-S10	
C5	50000 50V		C80V503AM	DDA-503	H-05S5		TA-150	TG-S50	
C6	11 N750 5%		N750-DI 10	DTN-10	C10Q1U	CCTN-100	CN7-410	10TCU-Q10	
C7	50000 50V		C80V503AM	DDA-503	H-05S5		TA-150	TG-S50	
C8	50000 50V		C80V503AM	DDA-503	H-05S5		TA-150	TG-S50	
C9	50000 50V		C80V503AM	DDA-503	H-05S5		TA-150	TG-S50	
C10	5 N750 5%		C80V503AM	DDA-503	H-05S5	CCTN-050	CN7-550	10TCU-V50	
C11	50000 50V		C80V503AM	DDA-503	H-05S5		TA-150	TG-S50	
C12	50000 50V		C80V503AM	DDA-503	H-05S5		TA-150	TG-S50	
C13	1000000 3V		#65B45-15		UK-105			HY-135	
C14	30000 50V			#85B45-8					
C15	5000 50V			C80V502AM	DM-502	H-05D5	CCD-502	TA-050	TG-250
C16	5000 50V			C80V502AM	DM-502	H-05D5	CCD-502	TA-050	TG-250

Admiral Part Number.

CONTROLS

ITEM No.	RATING		REPLACEMENT DATA				INSTALLATION NOTES	
	RESISTANCE	WATTS	ADMIRAL PART No.	CENTRALAB PART No.	CLAROSTAT PART No.	CTS-IRC PART No.		MALLORY PART No.
R1	5000Ω	1/4	75C69-2 ①					Volume & Switch

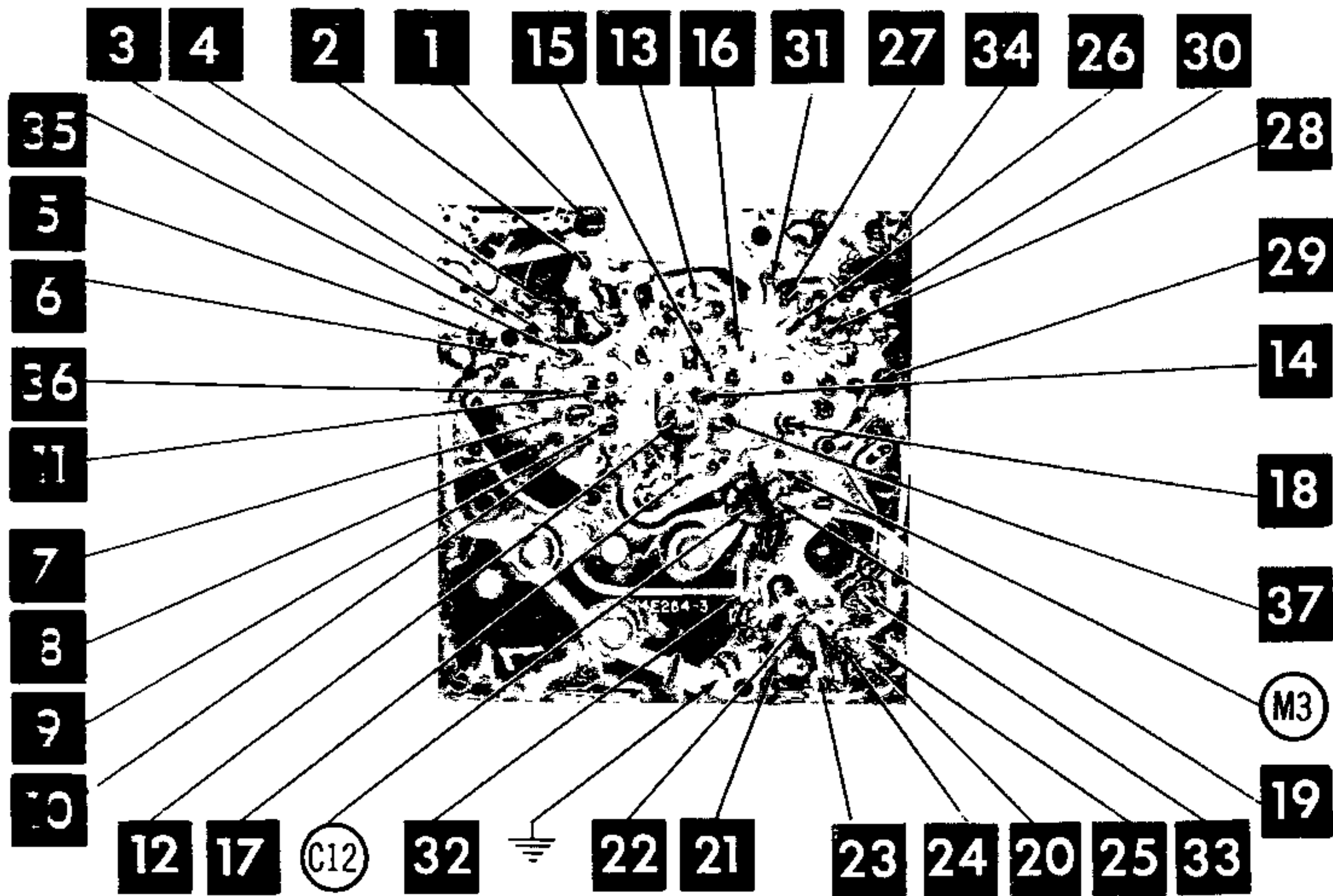
① Chassis 7B2B use Part #75B36-3.

RESISTORS

All wattages 1/2 watt, or less, unless otherwise listed.

ITEM No.	RATING	REPLACEMENT DATA			ITEM No.	RATING	REPLACEMENT DATA		
		IRC PART No.	WORKMAN TV PART No.	REMARKS			IRC PART No.	WORKMAN TV PART No.	REMARKS
R2	6800Ω				R12	18K			
R3	22K				R13	470Ω			
R4	3900Ω				R14	560Ω			
R5	56K				R15	3000Ω			
R6	43K				R16	39K			
R7	3300Ω				R17	18K			
R8	470Ω				R18	270Ω			
R9	1800Ω				R19	15K			
R10	18K				R20	220Ω			
R11	2700Ω				R21	100Ω			

(CONTINUED ON REAR PAGE)



PARTS LIST AND DESC

COILS (RF-IF)

ITEM No.	USE	REPLACEMENT DATA					NOTES
		ADMIRAL PART No.	Merit PART No.	Miller PART No.	Stancor PART No.	Workman TV PART No.	
L1	Loopstick Osc. 1st IF 2nd IF 3rd IF	69B218-12					
L2		69B246-2					
L3		72C182-13					
L4		72C182-11					
L5		72C182-12					

TRANSFORMER (DRIVER)

ITEM No.	TURNS RATIO		REPLACEMENT DATA					NOTES
			ADMIRAL PART No.	Merit PART No.	Stancor PART No.	Thordarson PART No.	Triad PART No.	
	PRI.	SEC.						
T1	1.3	1	79B84-2					

TRANSFORMER (AUDIO OUTPUT)

ITEM No.	IMPEDANCE		REPLACEMENT DATA					NOTES
			ADMIRAL PART No.	Merit PART No.	Stancor PART No.	Thordarson PART No.	Triad PART No.	
	PRI.	SEC.						
T2	200Ω CT	10-12Ω	79B85-2			TR-15 ①		① Remove Frame

SPEAKER

ITEM No.	TYPE			REPLACEMENT DATA		NOTES
				ADMIRAL PART No.	QUAM PART No.	
	SIZE	FIELD	V. C. IMP.			
SPI	3"x 4" 4"	PM PM	10-12Ω 10-12Ω	78C163-1 * 78B170-1 †		* Models Y2081, Y2082, Y2083 † Models Y2101, Y2102, Y2108

BATTERIES

ITEM No.	VOLTAGE	ADMIRAL PART No.	REPLACEMENT DATA						NOTES
			BURGESS		EVEREADY		MALLORY		
			"A"	"B"	"A"	"B"	"A"	"B"	
M1	1.5V 1.5V			930 190		1016 635		M-15R M-14R	4 Required, Chassis 7B2 4 Required, Chassis 7B2B

OPTIONS (Continued)

SIGNAL DIODES

ITEM No.	ORIG. TYPE	REPLACEMENT DATA				NOTES
		ADMIRAL PART No.	GENERAL ELECTRIC PART No.	RAYTHEON PART No.	SYLVANIA PART No.	
M2	1N295	57C1-2		1N295	1N295	Overload (Pigtail) Detector (Pigtail) Output Bias (Chassis 7B2 only)
M3	1N295	57C1-2		1N295	1N295	
M4	1N2926	57C1-29				

MISCELLANEOUS

ITEM No.	PART NAME	ADMIRAL PART No.	NOTES
M5	Tuning Cap. Tuning Cap.	88C82-1 88C82-3	2 Gang, Chassis 7B2 2 Gang, Chassis 7B2B

CABINETS & CABINET PARTS

(When Ordering Cabinets & Cabinet Parts, Specify Model, Chassis & Color)

NAME	PART NO.	DESCRIPTION
Dial	21B35-1	Models Y2081, Y2082, Y2083
Dial	33C401-2	Models Y2101, Y2102, Y2108
Knob	33B392-4	Tuning, Models Y2081, Y2082, Y2083
Knob	33C401-1	Tuning, Models Y2101, Y2102, Y2108
Knob	33B392-3	Volume, Models Y2081, Y2082, Y2083
Knob	33C401-1	Volume, Models Y2101, Y2102, Y2108
Handle	37B193-1	Brass, Models Y2081, Y2082, Y2083
Handle	33B406-1	Black, Model Y2101
Handle	33B406-2	Coral, Model Y2102
Handle	33B406-3	Green, Model Y2108
Cabinet Front	A7773	Black, Model Y2081
Cabinet Back	34E158-3	Black, Model Y2081
Cabinet Front	A7774	Coral, Model Y2082
Cabinet Back	34E158-15	Coral, Model Y2082
Cabinet Front	A7776	White, Model Y2083
Cabinet Back	34E158-7	White, Model Y2083
Cabinet Front	A7780	Black, Model Y2101
Cabinet Back	A7783	Black, Model Y2101
Cabinet Front	A7781	Coral, Model Y2102
Cabinet Back	A7784	Coral, Model Y2102
Cabinet Front	A7782	Green, Model Y2108
Cabinet Back	A7786	Green, Model Y2108

WIRING DATA

General-use Unshielded Hook-up Wire Use BELDEN No. 8530 (Solid) Available in Ten Colors
8524 (Stranded) Available in Ten Colors