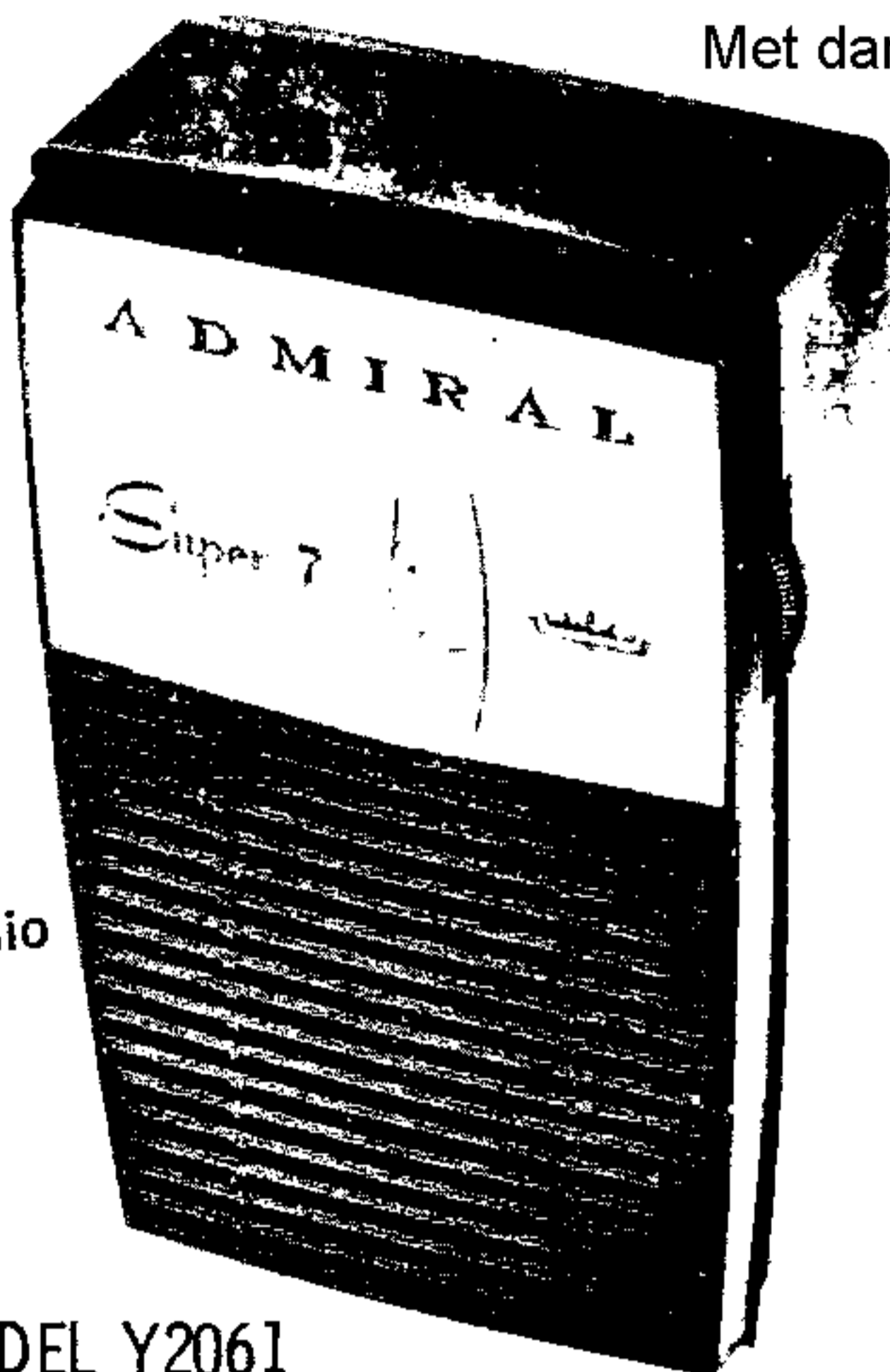


PENTAFECT® Folder

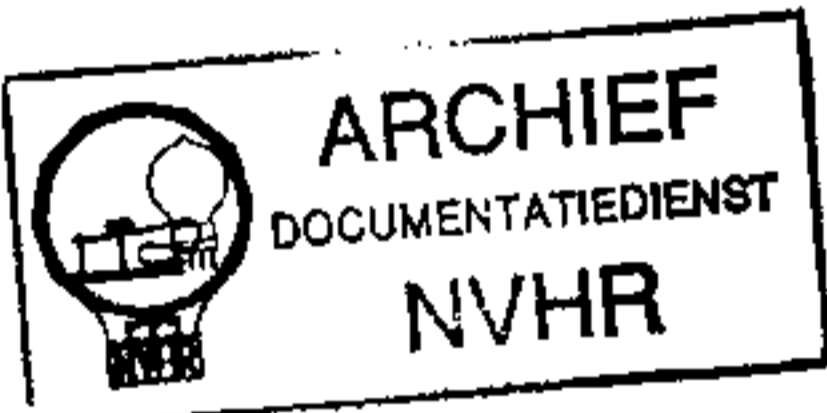
with CIRCUITRACE®

ADMIRAL MODELS Y2061, Y2063, Y2067, Y2068 (Ch. 7A2)

Met dank aan Jef Bos



Ned. Ver. v. Historie v/d Radio



MODEL Y2061

TRADE NAME	Admiral Models Y2061, Y2063, Y2067, Y2068 (Ch. 7A2)		
MANUFACTURER	Admiral Sales Corp., Service Div., 903 Morrissey Drive, P. O. Box 845, Bloomington, Illinois		
TYPE SET	Battery Operated Transistorized Portable AM Receiver		
POWER SUPPLY	9 Volts DC	RATING	6MA @ 9 Volts DC (No Signal, Min. Volume)
TUNING RANGE—BROADCAST	535 - 1620KC		12MA @ 9 Volts DC (Signal, Normal Volume)

ALIGNMENT INSTRUCTIONS

ALIGNMENT INSTRUCTIONS—READ CAREFULLY BEFORE ATTEMPTING ALIGNMENT

Tuning control should be at maximum position. Output of signal generator should be no higher than necessary to obtain an audible reading.

Suggested Alignment Tools:

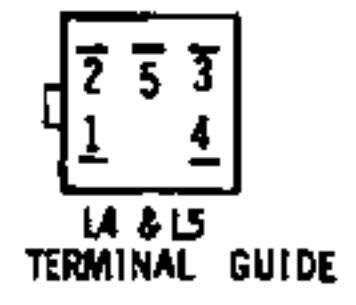
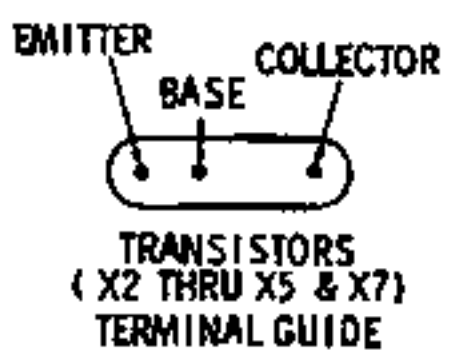
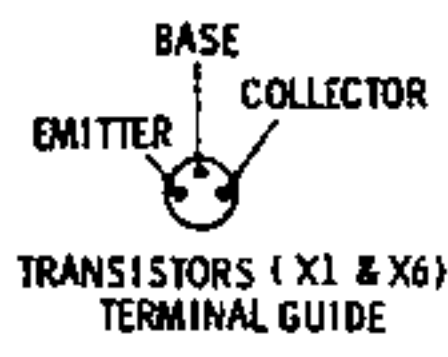
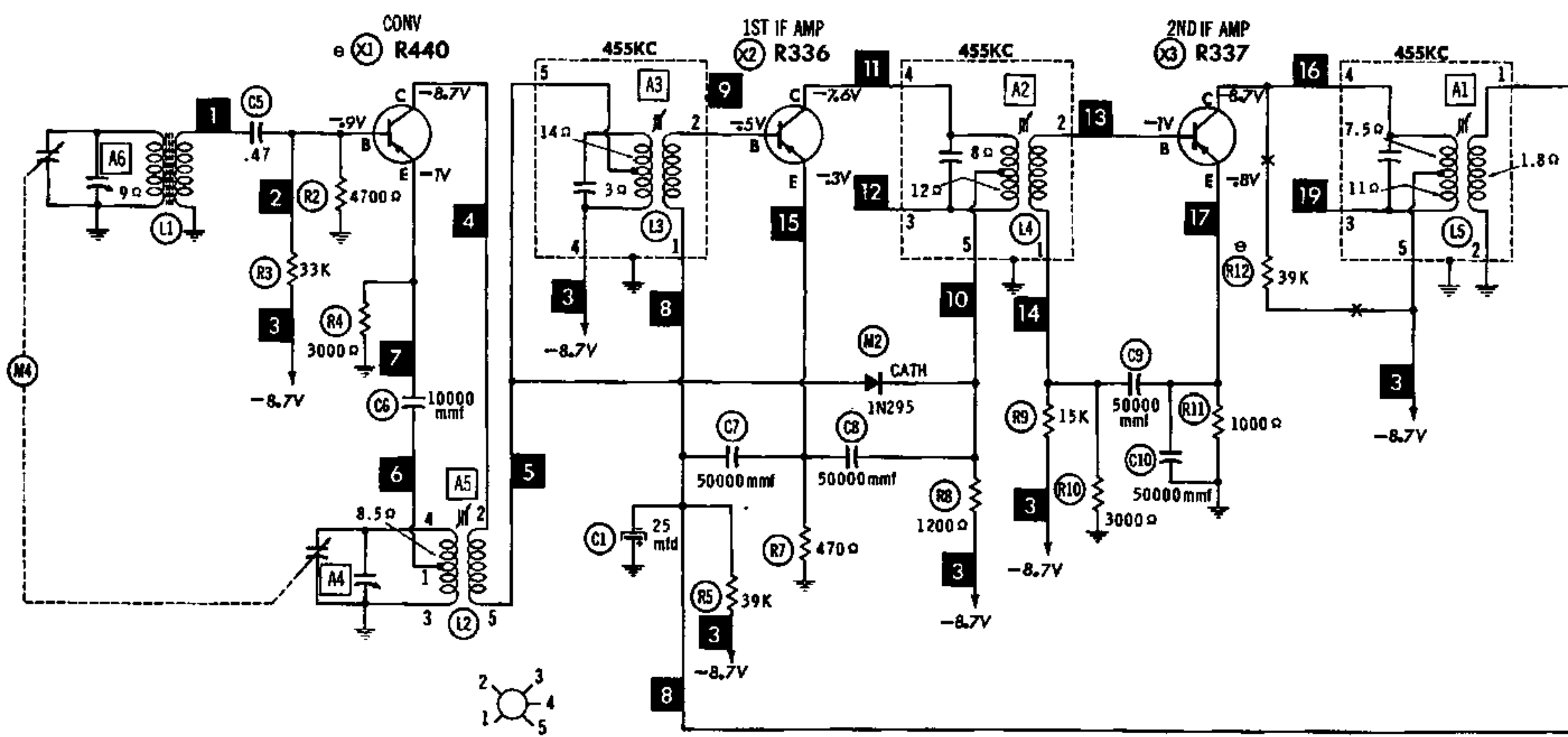
A1, A2, A3...	GENERAL CEMENT #5004, 5009, 8195, 8274, 8275, 8607, 8728, 8987, 8988, 8989, 9291
	WALSCO #2515, 2520, 2522, 2523, 2531, 2532, 2534, 2537, 2538
A4, A6.....	GENERAL CEMENT #5000, 5003, 5066, 8276, 8290, 9087, 9089
	WALSCO #2512, 2525, 2528
A5.....	GENERAL CEMENT #5009, 8195, 8274, 8275, 8728, 8729, 8987, 8988, 8989
	WALSCO #2515, 2531, 2532

SIGNAL GENERATOR COUPLING	SIGNAL GENERATOR FREQUENCY	RADIO DIAL SETTING	OUTPUT METER	ADJUST	REMARKS
Loop	455KC (400% Mod.)	Tuning gang fully open.	Across voice coil.	A1, A2, A3	Fashion loop of several turns of wire and radiate signal into loop of receiver. Adjust for maximum output.
"	1620KC	"	"	A4	Adjust for maximum output. Repeat Step 1.
"	535KC	Tuning gang fully closed.	"	A5	Adjust for maximum output.
"	1400KC	1400KC Signal.	"	A6	Adjust for maximum output while rocking tuning gang. Repeat Steps 2, 3, and 4.

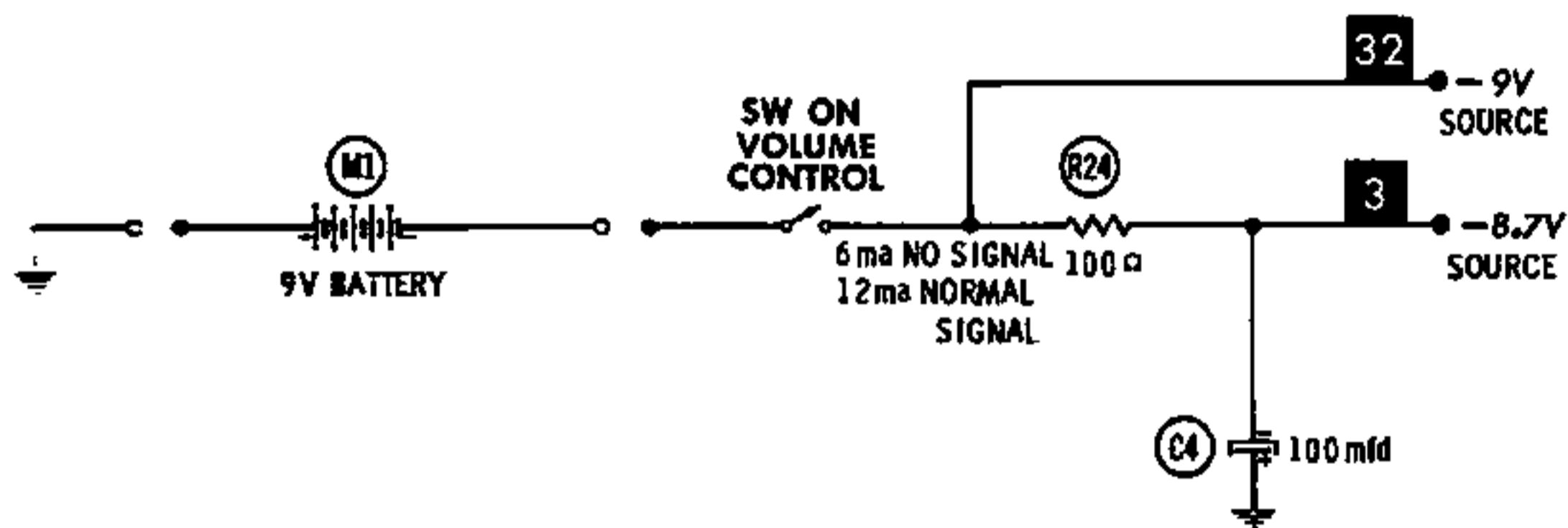
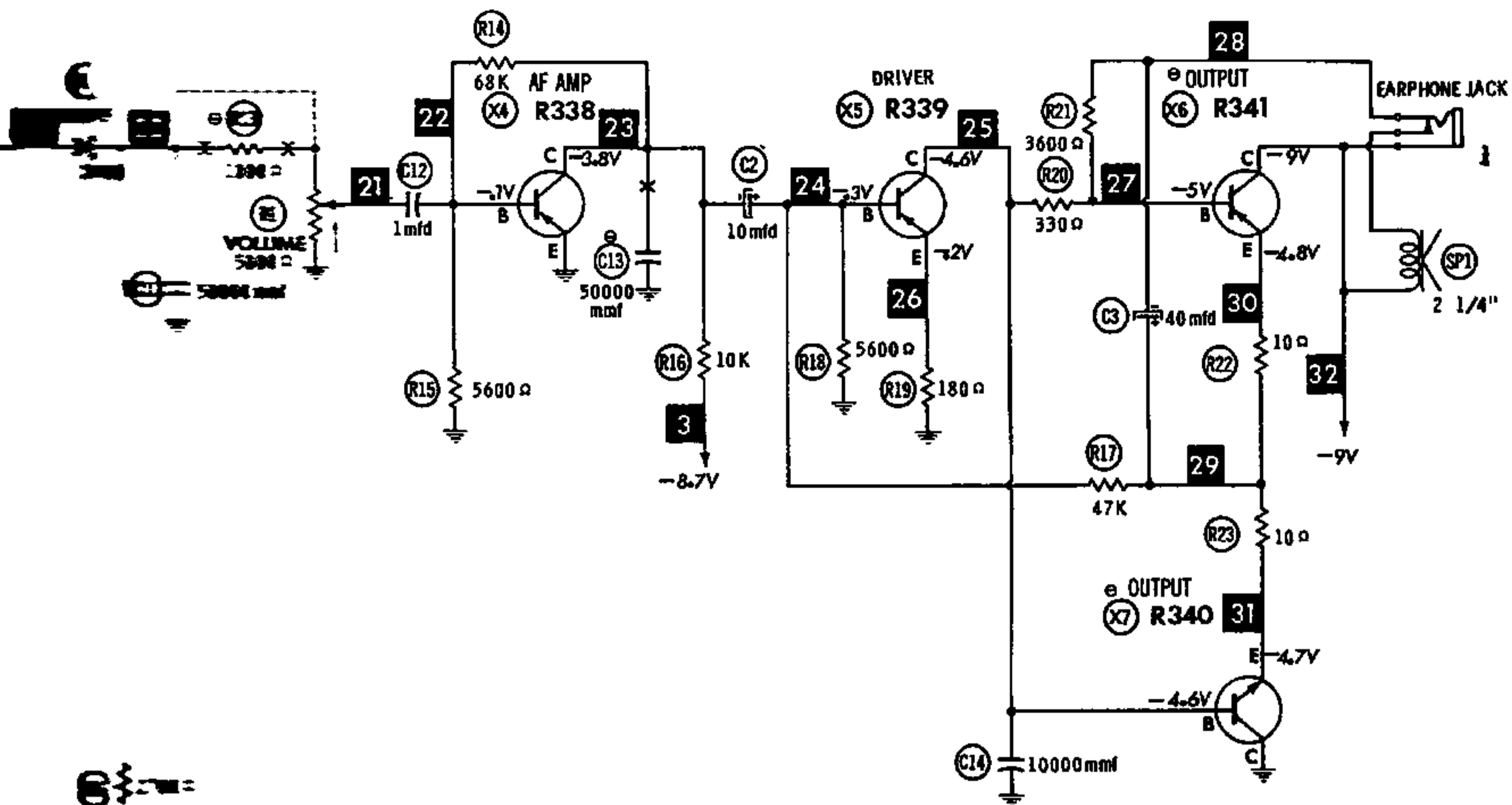
HOWARD W. SAMS & CO., INC. Indianapolis 6, Indiana

The listing of any available replacement part herein does not constitute in any case a recommendation, warranty or liability by Howard W. Sams & Co., Inc., as to the quality and suitability of such replacement part. The numbers of these parts have been compiled from information furnished to Howard W. Sams & Co., Inc., by the manufacturers of these

the particular type of replacement part listed. Reproduction or use, without express permission, of editorial or pictorial content, in any manner, is prohibited. No patent liability is assumed with respect to the use of the information contained herein. © 1961 Howard W. Sams & Co., Inc., Indianapolis 6, Indiana. Printed in U.S. of America



RESISTANCE MEASUREMENTS NOT GIVEN BECAUSE OF THE WIDE VARIATION IN INTERNAL TRANSISTOR RESISTANCE



SEE PARTS LIST FOR ALTERNATE VALUE OR APPLICATION

DC COIL RESISTANCE VALUES UNDER ONE OHM NOT SHOWN ON SCHEMATIC DIAGRAM

ARROWS ON CONTROLS INDICATE CLOCKWISE ROTATION (CONTROL VIEWED FROM SHAFT END)

NUMBERS ASSIGNED TO COILS, SWITCHES, PLUGS, SOCKETS, AND TRANSFORMERS ARE TO FACILITATE CIRCUIT TRACING OR COMPONENT REPLACEMENT AND MAY NOT NECESSARILY BE FOUND ON THE UNIT.

1. DC voltage measurements taken with vacuum tube voltmeter.
2. Socket connections or transistor terminals are shown as bottom views.
3. Measured values are from socket pin or terminal to common ground.
4. Nominal tolerance on component values makes possible a variation of $\pm 15\%$ in voltage and resistance readings.
5. Volume control at maximum, no signal applied for voltage measurements.

PARTS LIST AND DESCRIPTIONS

TRANSISTORS

ITEM No.	ORIG. TYPE	USE	REPLACEMENT DATA			NOTES
			RCA PART No.	RAYTHEON PART No.	SYLVANIA PART No.	
X1	R440 *	Converter				PNP
X2	R336	1st IF Amplifier				PNP
X3	R337	2nd IF Amplifier				PNP
X4	R338	AF Amplifier				PNP
X5	R339	Driver				PNP
X6	R341 †	Output				PNP
X7	R340 †	Output				NPN

* Alternate R335, 2N544.

† X6 and X7 supplied only in matched pair (Part #57C1-55)

ELECTROLYTIC CAPACITORS

ITEM No.	RATING		REPLACEMENT DATA						NOTES
	CAP.	VOLT.	ADMIRAL PART No.	AEROVOX PART No.	CORNELL-DUBILIER PART No.	MALLORY PART No.	PYRAMID PART No.	SPRAGUE PART No.	
C1	25	3	87B32-17	BCD3025	NLW25-3	TT3X25	MLV25-3	TE-1055	
C2	10	6	87B35-7	PTT-6010	NLW10-6	TT6X10	MLV10-6	TE-1087	
C3	40	6	87B32-19	BCD6035	ECPB14	TT6X40	MLV40-6	VL-1092	
C4	100	9	87B32-18	BCD10100	ECPB417	PET1400	MLV100-10	TE-1119.3	

FIXED CAPACITORS

Capacity values given in the rating column are in mfd. for Paper Capacitors, and in mmfd. for Mica and Ceramic Capacitors.

ITEM No.	RATING	REMARKS	REPLACEMENT DATA						
			AEROVOX PART No.	CENTRALAB PART No.	CORNELL-DUBILIER PART No.	ELMENCO PART No.	MALLORY PART No.	SPRAGUE PART No.	
C5	.47			UK-474					
C6	10000		C80V103AM	DDM-103	H-05S1			TA-110	TG-S10
C7	50000		C80V503AM	UK10-503	H-05S5			TA-150	TG-S50
C8	50000		C80V503AM	UK10-503	H-05S5			TA-150	TG-S50
C9	50000		C80V503AM	UK10-503	H-05S5			TA-150	TG-S50
C10	50000		C80V503AM	UK10-503	H-05S5			TA-150	TG-S50
C11	50000		C80V503AM	UK10-503	H-05S5			TA-150	TG-S50
C12	1mfd	#65B45-15		UK-105					
C13	50000	Note 1	C80V503AM	UK10-503	H-05S5			TA-150	TG-S50
C14	10000		C80V103AM	DDM-103	H-05S1			TA-110	TG-S10

Note 1. Not used in some versions.

Admiral Part Number.

CONTROLS

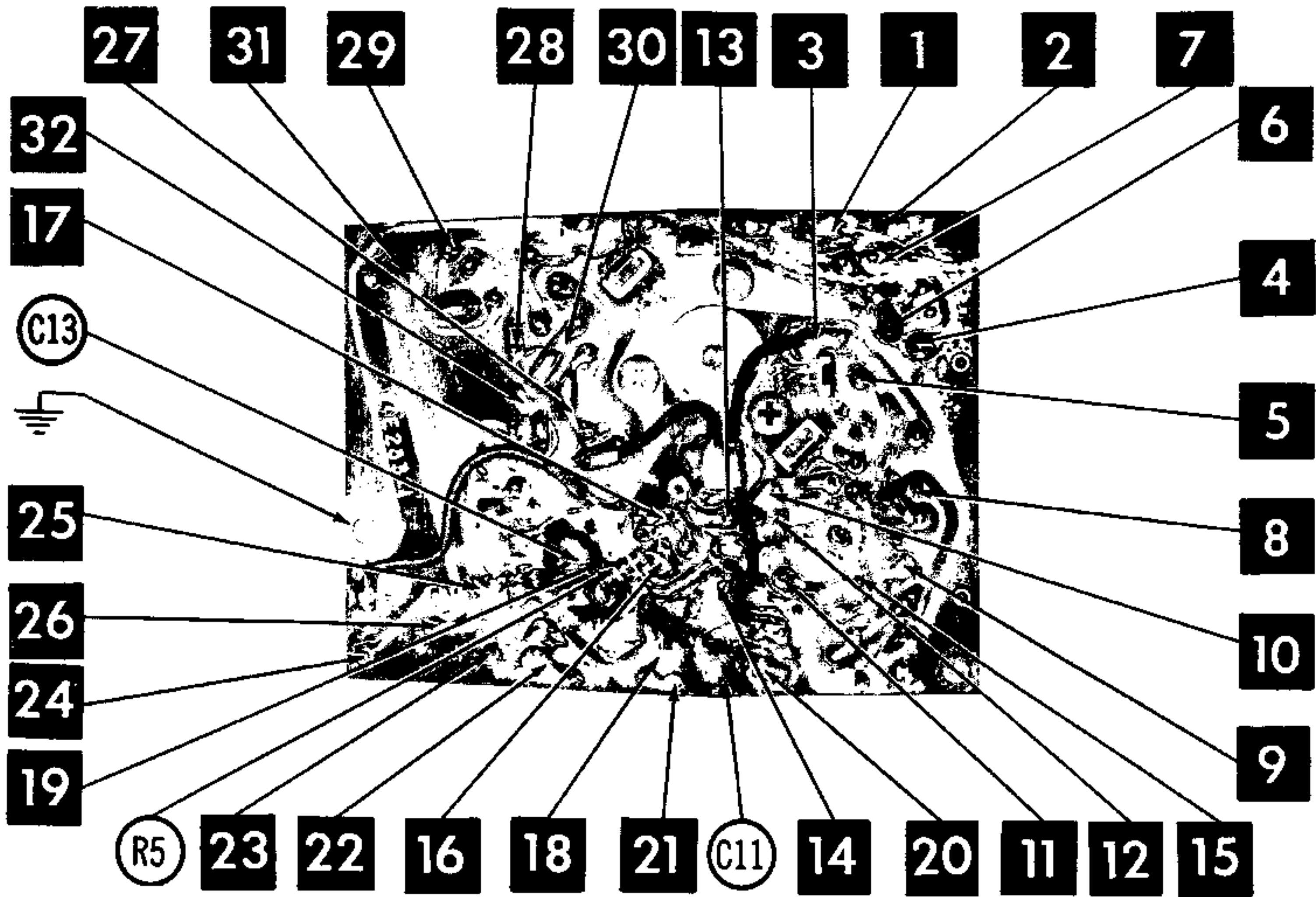
ITEM No.	RATING		REPLACEMENT DATA					INSTALLATION NOTES
	RESISTANCE	WATTS	ADMIRAL PART No.	CENTRALAB PART No.	CLAROSTAT PART No.	CTS-IRC PART No.	MALLORY PART No.	
RL	5000Ω	½	A7757					Volume & Switch

RESISTORS

All wattages 1/2 watt, or less, unless otherwise listed.

ITEM No.	RATING	REPLACEMENT DATA			ITEM No.	RATING	REPLACEMENT DATA		
		IRC PART No.	WORKMAN TV PART No.	REMARKS			IRC PART No.	WORKMAN TV PART No.	REMARKS
R2	4700Ω				R14	68K			
R3	33K				R15	5600Ω			
R4	3000Ω				R16	10K			
R5	39K				R17	47K			
R6	2700Ω				R18	5600Ω			
R7	470Ω				R19	180Ω			
R8	1200Ω				R20	330Ω			
R9	15K				R21	3600Ω			
R10	3000Ω				R22	10Ω			
R11	1000Ω				R23	10Ω			
R12	39K			Note 1	R24	100Ω			
R13	1000Ω			Note 1					

Note 1. Not used in some versions.



PARTS LIST AND DES

COILS (RF-IF)

ITEM No.	USE	REPLACEMENT DATA				NOTES
		ADMIRAL PART No.	Marit PART No.	Miller PART No.	Stancor PART No.	
L1	Loopstick	69C218-16				
L2	Osc.	69B246-5				
L3	1st IF	72C223-1				
L4	2nd IF	72C223-2				
L5	3rd IF	72C223-3				

SPEAKER

ITEM No.	TYPE			REPLACEMENT DATA		NOTES
	SIZE	FIELD	V. C. IMP.	ADMIRAL PART No.	GUAM PART No.	
SP1	2 1/4"	PM	60-80Ω	78BI68-2	22A06Z80	

BATTERIES

ITEM No.	VOLTAGE	ADMIRAL PART No.	REPLACEMENT DATA						NOTES
			BURGESS		EVEREADY		MALLORY		
			"A"	"B"	"A"	"B"	"A"	"B"	
M1	9V			2U8		218		M-1604	

SIGNAL DIODES

ITEM No.	ORIG. TYPE	REPLACEMENT DATA				NOTES
		ADMIRAL PART No.	GENERAL ELECTRIC PART No.	RAYTHEON PART No.	SYLVANIA PART No.	
M2	1N295	57C1-54		1N295	1N295	Overload (Pigtail) Detector - AVC (Pigtail)
M3	1N295	57C1-54		1N295	1N295	

MISCELLANEOUS

ITEM No.	PART NAME	ADMIRAL PART No.	NOTES
M4	Tuning Cap. Printed Board	68C80-2 14E283-1	2 Gang Less Transistors & Components

DESCRIPTIONS (Continued)

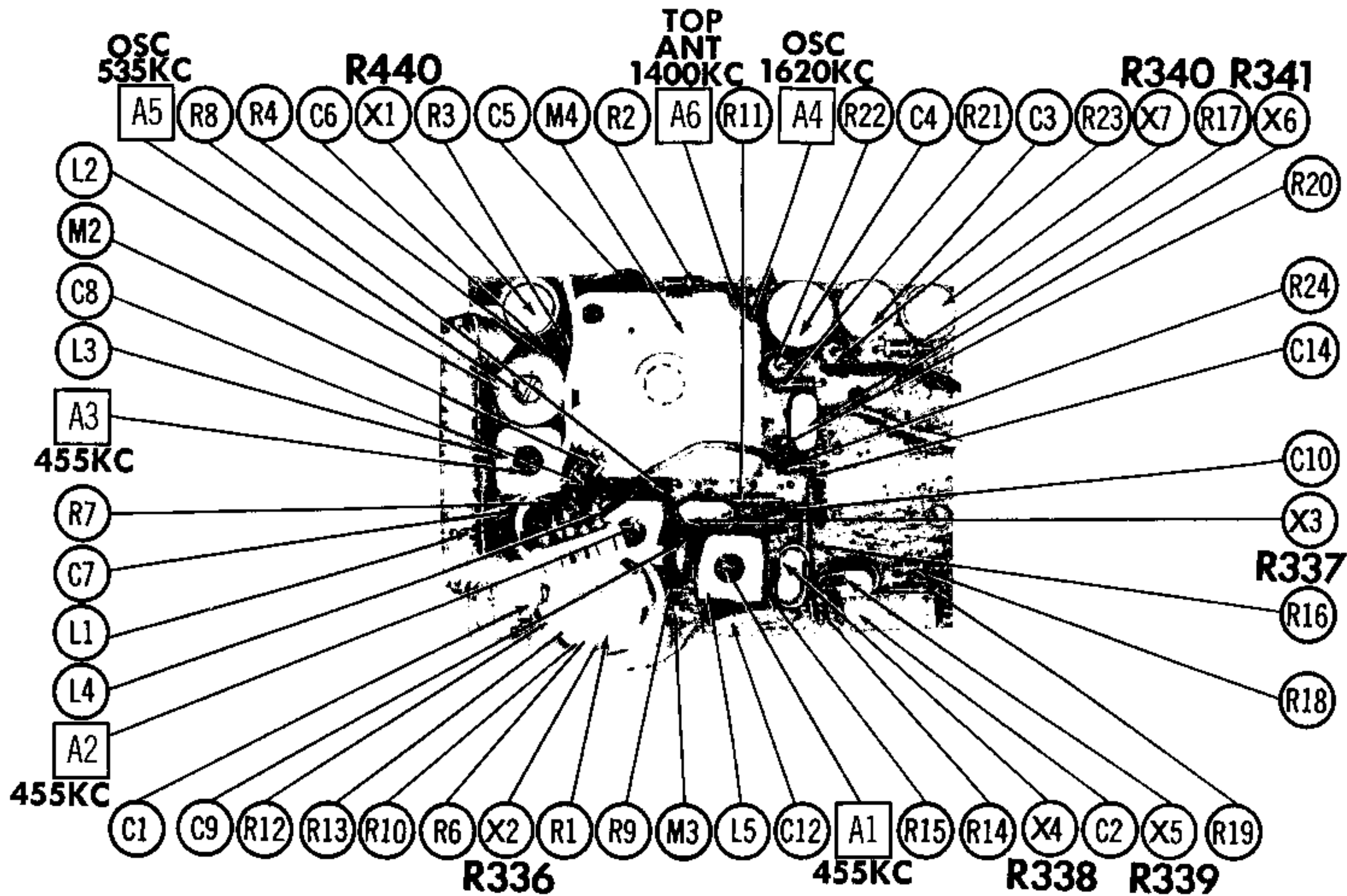
CABINETS & CABINET PARTS

(When Ordering Cabinets & Cabinet Parts, Specify Model, Chassis & Color)

NAME	PART NO.	DESCRIPTION
Dial Lens	24B35-1	Tuning Volume Model Y2061 Model Y2063 Model Y2067 Model Y2068 Model Y2061 Model Y2063 Model Y2067 Model Y2068
Dial Scale	21B136-2	
Knob	33C383-1	
Knob	33C383-2	
Cabinet Back	A7744	
Cabinet Back	A7756	
Cabinet Back	A7745	
Cabinet Back	A7746	
Cabinet Front	A7741	
Cabinet Front	A7755	
Cabinet Front	A7742	
Cabinet Front	A7743	

WIRING DATA

General-use Unshielded Hook-up Wire Use BELDEN No. 8530 (Solid) Available in Ten Colors
8524 (Stranded) Available in Ten Colors



CHASSIS TOP VIEW