

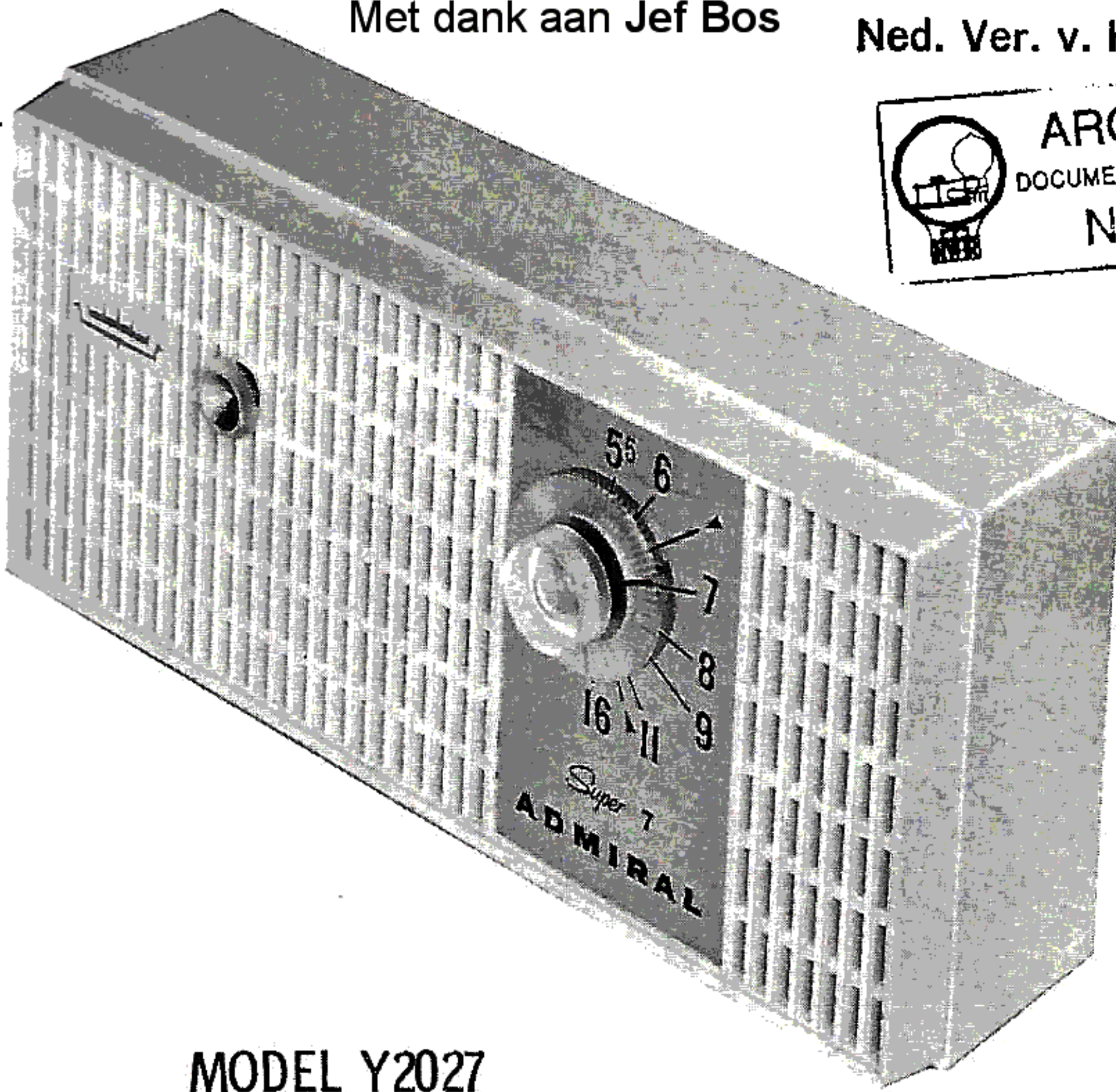
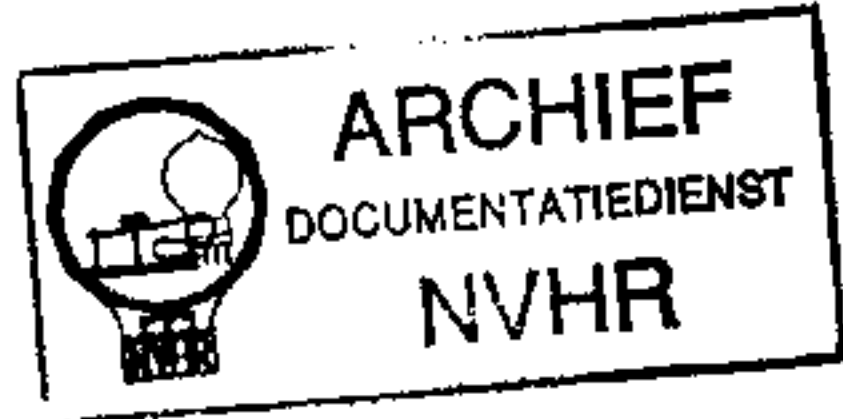
PHOTOFACT® Folder

with CIRCUITRACE

ADMIRAL CHASSIS
7V1, 7V1A, 7V1B

Met dank aan Jef Bos

Ned. Ver. v. Historie v/d Radio



MODEL Y2027

TRADE NAME	Admiral Models Y2009(Ch. 7V1); Y2011, Y2012, Y2013(Ch. 7V1A); Y2023, Y2027, Y2028 (Ch. 7V1B)		
MANUFACTURER	Admiral Sales Corp., Service Div., 903 Morrissey Drive, P.O. Box 845, Bloomington, Illinois		
TYPE SET	Battery Operated Transistorized Portable AM Receiver		
POWER SUPPLY	6 Volts DC	RATING	12MA @6 Volts DC (No Signal, Min. Volume)
TUNING RANGE—BROADCAST	535 — 1620KC		20MA @6 Volts DC (Signal, Normal Volume)

ALIGNMENT INSTRUCTIONS

ALIGNMENT INSTRUCTIONS—READ CAREFULLY BEFORE ATTEMPTING ALIGNMENT

Volume control should be at maximum position. Output of signal generator should be no higher than necessary to obtain an output reading.

Suggested Alignment Tools: A1, A2, A3, A6... GENERAL CEMENT #5009, 8195, 8274, 8275, 8728, 8729, 8987, 8988, 8989
WALSCO #2515, 2531, 2532

A4, A5..... GENERAL CEMENT #5004, 5009, 8195, 8274, 8275, 8607, 8728, 8987, 8988, 8989, 9291
WALSCO #2515, 2520, 2522, 2523, 2531, 2532, 2534, 2537, 2538

	SIGNAL GENERATOR COUPLING	SIGNAL GENERATOR FREQUENCY	RADIO DIAL SETTING	OUTPUT METER	ADJUST	REMARKS
1.	Loop	455KC (400% Mod.)	Tuning gang fully open.	Across voice coil.	A1, A2, A3	Fashion loop of several turns of wire and radiate signal into loop of receiver. Adjust for maximum output.
2.	"	1620KC	"	"	A4	"
3.	"	1400KC	1400KC Signal.	"	A5	Adjust for maximum output while rocking tuning gang.
4.	"	535KC	Tuning gang fully closed.	"	A6	Adjust for maximum output. Repeat Steps 2 and 4.

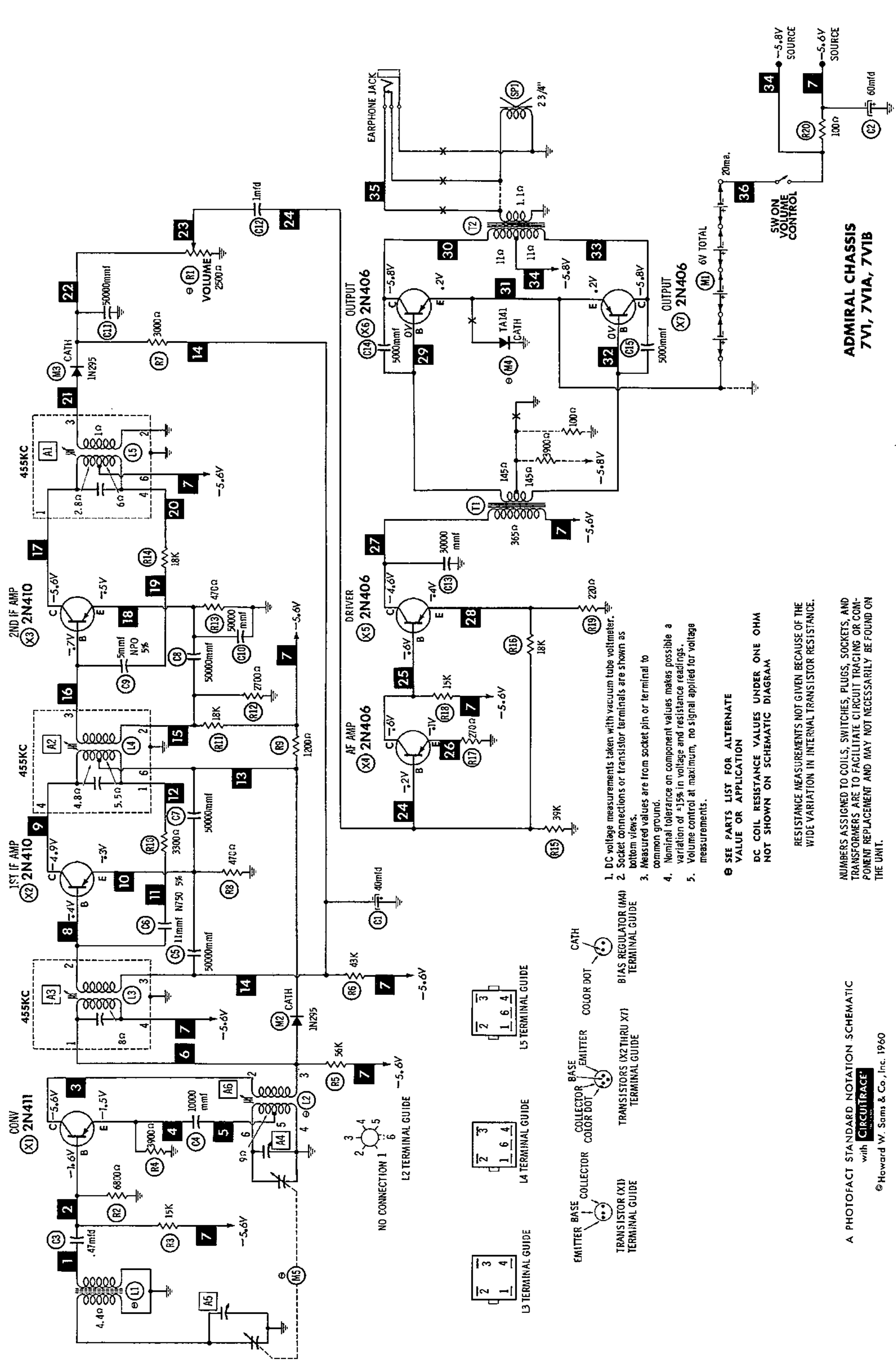
DISASSEMBLY

1. Remove knobs. (Pull off)
2. Insert coin in slot on bottom edge of cabinet and twist. Remove cover.
3. Remove 4 screws from corners of printed board.
4. Remove board from cabinet.

HOWARD W. SAMS & CO., INC. Indianapolis 6, Indiana

The listing of any available replacement part herein does not constitute in any case a recommendation, warranty or guaranty by Howard W. Sams & Co., Inc., as to the quality and suitability of such replacement part. The numbers of these parts have been compiled from information furnished to Howard W. Sams & Co., Inc., by the manufacturers of KF134

the particular type of replacement part listed. Reproduction or use, without express permission, of editorial or pictorial content, in any manner, is prohibited. No patent liability is assumed with respect to the use of the information contained herein. © 1960 Howard W. Sams & Co., Inc., Indianapolis 6, Indiana. Printed in U.S. of America



**ADMIRAL CHASSIS
7V1, 7V1A, 7V1B**

1. DC voltage measurements taken with vacuum tube voltmeter.
2. Socket connections or transistor terminals are shown as bottom views.
3. Measured values are from socket pin or terminal to common ground.
4. Nominal tolerance on component values makes possible a variation of $\pm 15\%$ in voltage and resistance readings.
5. Volume control at maximum, no signal applied for voltage measurements.

SEE PARTS LIST FOR ALTERNATE VALUE OR APPLICATION

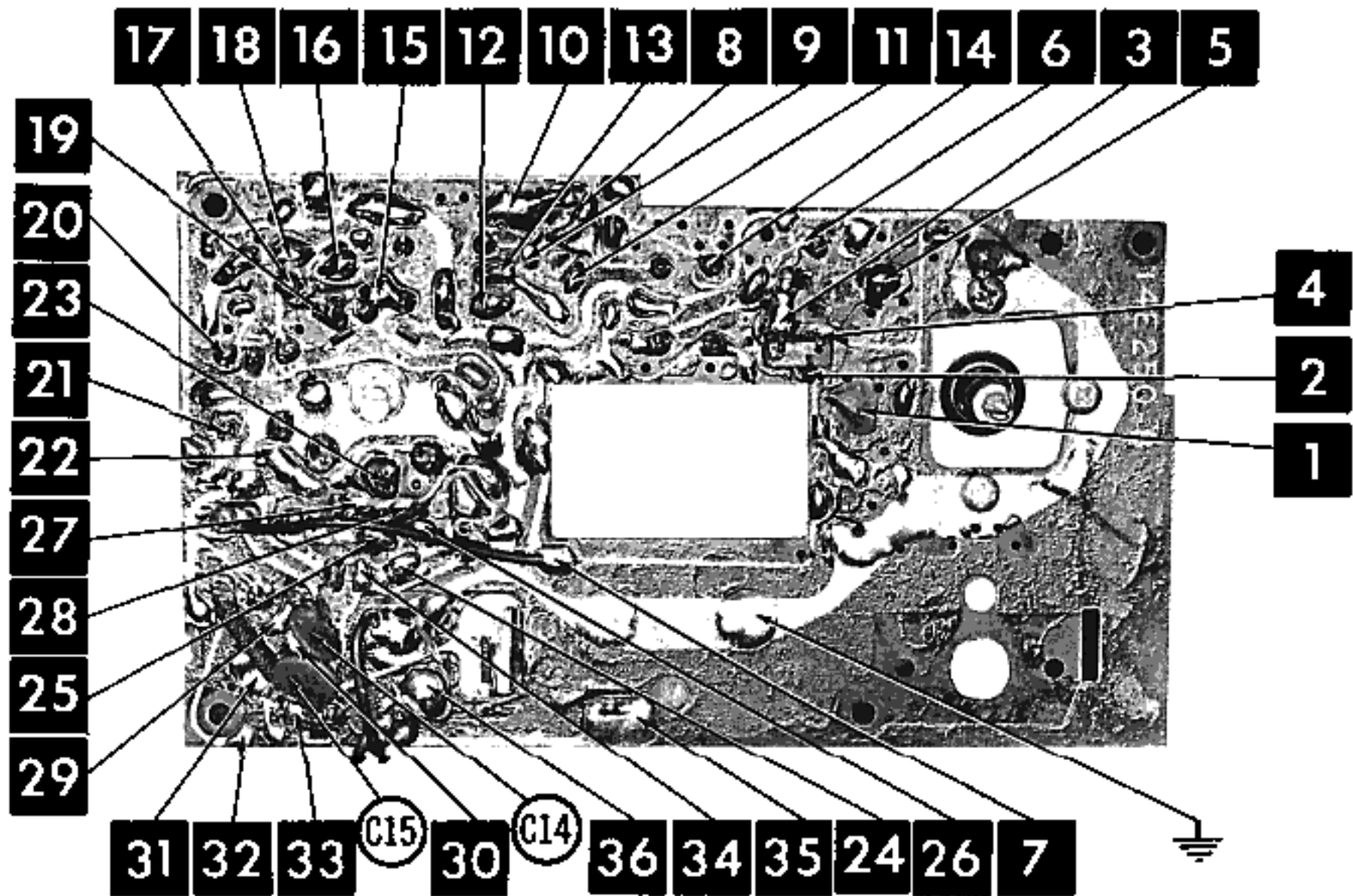
DC COIL RESISTANCE VALUES UNDER ONE OHM NOT SHOWN ON SCHEMATIC DIAGRAM

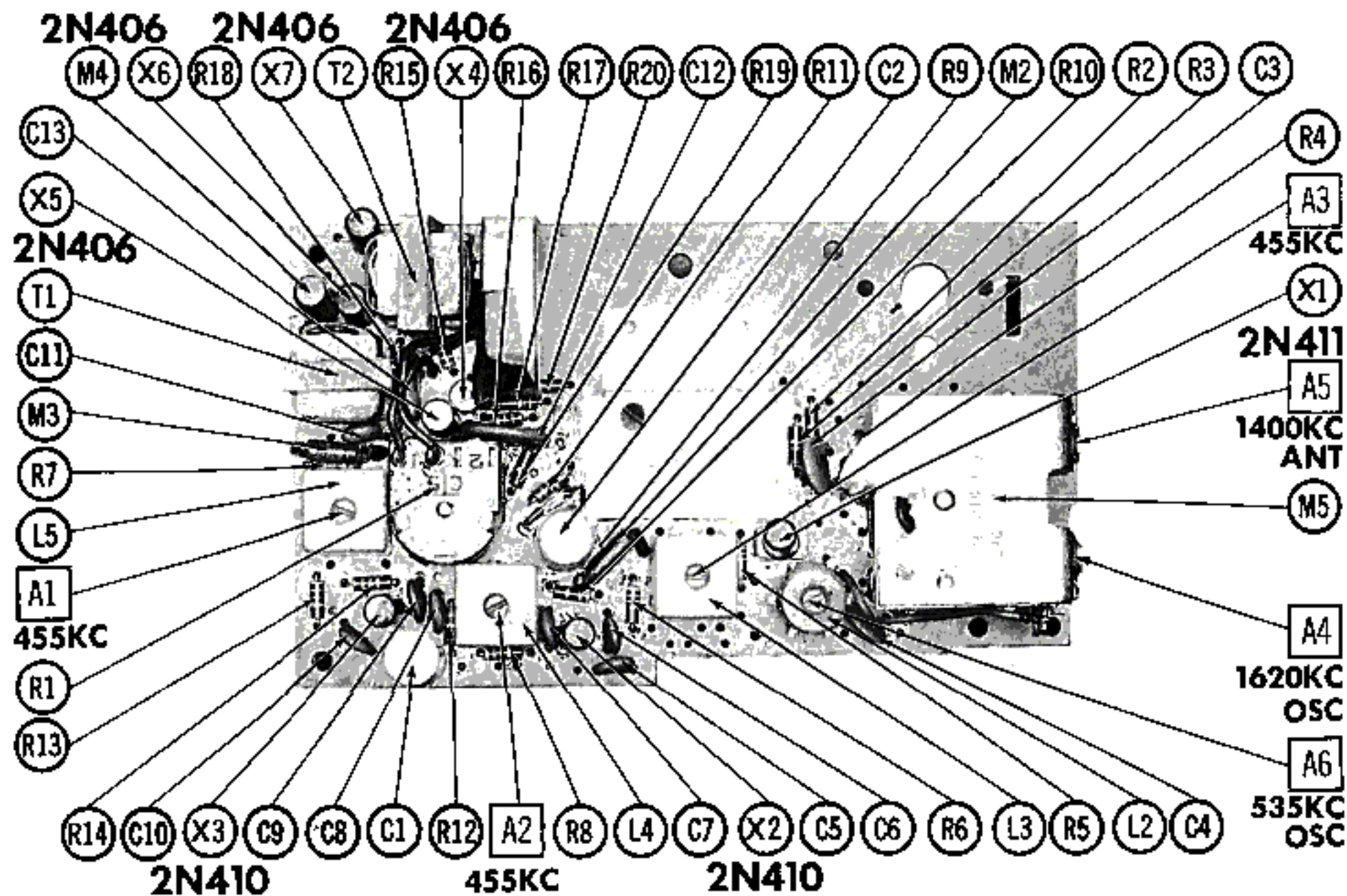
RESISTANCE MEASUREMENTS NOT GIVEN BECAUSE OF THE WIDE VARIATION IN INTERNAL TRANSISTOR RESISTANCE.

NUMBERS ASSIGNED TO COILS, SWITCHES, PLUGS, SOCKETS, AND TRANSFORMERS ARE TO FACILITATE CIRCUIT TRACING OR COMPONENT REPLACEMENT AND MAY NOT NECESSARILY BE FOUND ON THE UNIT.

A PHOTOFACIT STANDARD NOTATION SCHEMATIC with **CIRCUITRACE**

© Howard W. Sams & Co., Inc. 1960





PRINTED BOARD-TOP VIEW

TRANSISTORS

ITEM No.	ORIG. TYPE	USE	REPLACEMENT DATA			NOTES
			RCA PART No.	RAYTHEON PART No.	SYLVANIA PART No.	
X1	2N411	Converter	2N411	2N486	2N411	PNP
X2	2N410	1st IF Amplifier	2N410	2N483	2N411	PNP
X3	2N410	2nd IF Amplifier	2N410	2N483	2N411	PNP
X4	2N406	AF Amplifier	2N406	2N363	2N406	PNP
X5	2N406	Driver	2N406	2N363	2N406	PNP
X6	2N406	Output	2N406	2N633	2N406	PNP
X7	2N406	Output	2N406	2N633	2N406	PNP } Matched Pair

ELECTROLYTIC CAPACITORS

ITEM No.	RATING		REPLACEMENT DATA					NOTES
	CAP.	VOLT.	ADMIRAL PART No.	AEROVOX PART No.	CORNELL-DUBILIER PART No.	MALLORY PART No.	PYRAMID PART No.	
C1	40	3	67B32-18	BCD3050	ECPB14	PET140		VL-1045
C2	60	6	67B32-15	BCD6075	ECPB116	PET1260		VL-1097

FIXED CAPACITORS

Capacity values given in the rating column are in mfd. for Paper Capacitors, and in mmfd. for Mica and Ceramic Capacitors.

ITEM No.	RATING	REMARKS	REPLACEMENT DATA						
			AEROVOX PART No.	CENTRALAB PART No.	CORNELL-DUBILIER PART No.	ELMENCO PART No.	MALLORY PART No.	SPRAGUE PART No.	
C3	.47mfd 3V	#65B45-16		UK-474					
C4	10000		BPD-01	DM-103	H-05S1	CCD-103	TA-110	TG-S10	
C5	50000		C80V503AM	UK10-503	H-05S5		TA-150	TG-S50	
C6	11 N750 5%		N750-DI 10		C10Q12U	CCTN-120	CN7-412	10TCU-Q12	
C7	50000		C80V503AM	UK10-503	H-05S5		TA-150	TG-S50	
C8	50000		C80V503AM	UK10-503	H-05S5		TA-150	TG-S50	
C9	5 NPO 5%		NPO-DI 5		C10V5C	CCTO-050	CNO-547	10TCC-V50	
C10	50000		C80V503AM	UK10-503	H-05S5		TA-150	TG-S50	
C11	50000		C80V503AM	UK10-503	H-05S5		TA-150	TG-S50	
C12	1mfd 3V		#65B45-15 #65B45-8		UK-105				
C13	30000								TG-S30
C14	5000	BPD-005		DM-502	H-05D5	CCD-502	TA-250	TG-D50	
C15	5000	BPD-005	DM-502	H-05D5	CCD-502	TA-250	TG-D50		

Admiral Part Number.

ID DESCRIPTIONS

CONTROLS

ITEM No.	RATING		REPLACEMENT DATA					INSTALLATION NOTES
	RESISTANCE	WATTS	ADMIRAL PART No.	CENTRALAB PART No.	CLAROSTAT PART No.	CTS-IRC PART No.	MALLORY PART No.	
R1	2500Ω	½	75B51-4					Loudness & Switch. Note 1

Note 1. Chassis 7V1, 7V1A use Part #75B51-3.

RESISTORS (IRC or EQUIVALENT)

All wattages 1/2 watt, or less, unless otherwise listed.

ITEM No.	RATING	REMARKS	ITEM No.	RATING	REMARKS	ITEM No.	RATING	REMARKS
R2	6800Ω		R9	1200Ω		R16	18K	
R3	15K		R10	3300Ω		R17	270Ω	
R4	3900Ω		R11	18K		R18	15K	
R5	56K		R12	2700Ω		R19	220Ω	
R6	43K		R13	470Ω		R20	100Ω	
R7	3000Ω		R14	18K				
R8	470Ω		R15	39K				

COILS (RF-IF)

ITEM No.	USE	REPLACEMENT DATA				NOTES
		ADMIRAL PART No.	Merit PART No.	Miller PART No.	Stancor PART No.	
L1	Loopstick	69C218-13 ①				
L2	Osc. Coil	69B232-6 ②				
L3	1st IF Trans.	72C182-13				
L4	2nd IF Trans.	72C182-11				
L5	3rd IF Trans.	72C182-12				

① Part #69C218-12 used in Chassis 7V1, 7V1A.

② Part #69B232-8 used in Chassis 7V1, 7V1A.

TRANSFORMER (DRIVER)

ITEM No.	TURNS RATIO		REPLACEMENT DATA					NOTES
	PRI.	SEC.	ADMIRAL PART No.	Merit PART No.	Stancor PART No.	Thordarson PART No.	Triad PART No.	
T1	1.3	1	79B84-2					

PARTS LIST AND DES

TRANSFORMER (AUDIO OUTPUT)

ITEM No.	IMPEDANCE		REPLACEMENT DATA					NOTES
	PRI.	SEC.	ADMIRAL PART No.	Merit PART No.	Stancor PART No.	Thordarson PART No.	Triad PART No.	
T2	200Ω CT	10-12Ω	79B85-2					

SPEAKER

ITEM No.	TYPE			REPLACEMENT DATA		NOTES
	SIZE	FIELD	V. C. IMP.	ADMIRAL PART No.	QUAM PART No.	
SP1	2 3/4"	PM	10-12Ω	78B125-3	27A06Z12	

BATTERIES

ITEM No.	VOLTAGE	ADMIRAL PART No.	REPLACEMENT DATA						NOTES
			BURGESS		EVEREADY		MALLORY		
			"A"	"B"	"A"	"B"	"A"	"B"	
M1	1.5V			930 *		1015 *		M-15R *	* 4 Required

CRYSTAL DIODES

ITEM No.	ORIG. TYPE	REPLACEMENT DATA			NOTES
		ADMIRAL PART No.	RAYTHEON PART No.	SYLVANIA PART No.	
M2	1N295	57B1-2	1N295	1N295	AVC, (Pigtail) Detector (Pigtail) Bias Regulator (Not used in Chassis 7V1)
M3	1N295	57B1-2	1N295	1N295	
M4	TA141	57B1-29			

MISCELLANEOUS

ITEM No.	PART NAME	ADMIRAL PART No.	NOTES
M5	Tuning Cap. Tuning Cap. Printed Board	68C73-1 68C75-2 14E250-8	(Direct) 2 Gang, Chassis 7V1, & 7V1A (Vernier) 2 Gang, Chassis 7V1B

DESCRIPTIONS (Continued)

CABINETS & CABINET PARTS

(When Ordering Cabinets & Cabinet Parts, Specify Model, Chassis & Color)

NAME	PART NO.	DESCRIPTION
Knob	33C326-3	Tuning, Models Y2009, Y2011, Y2012, Y2013
Knob	33C358-1	Tuning, Inner } Models Y2023, Y2027, Y2028
Knob	33C358-2	Tuning, Outer }
Knob	33C326-1	Volume
Cabinet Front	34D152-1	Gray, Model Y2009
Cabinet Front	34D152-4	Black, Model Y2011
Cabinet Front	34D152-2	Coral, Model Y2012
Cabinet Front	34D152-3	White, Model Y2013
Cabinet Front	34E149-3	White, Model Y2023
Cabinet Front	34E149-1	Beige, Model Y2027
Cabinet Front	34E149-2	Green, Model Y2028
Cabinet Rear	34E141-11	Gray, Model Y2009
Cabinet Rear	34E141-15	Black, Model Y2011
Cabinet Rear	34E141-3	Coral, Model Y2012
Cabinet Rear	34E141-5	White, Model Y2013
Cabinet Rear	34E142-9	White, Model Y2023
Cabinet Rear	34E142-10	Beige, Model Y2027
Cabinet Rear	34E142-11	Green, Model Y2028
Handle	37A193-1	Models Y2011, Y2012, Y2013

WIRING DATA

General-use Unshielded Hook-up Wire Use BELDEN No. 8530 (Solid) Available in Ten Colors
8524 (Stranded) Available in Ten Colors