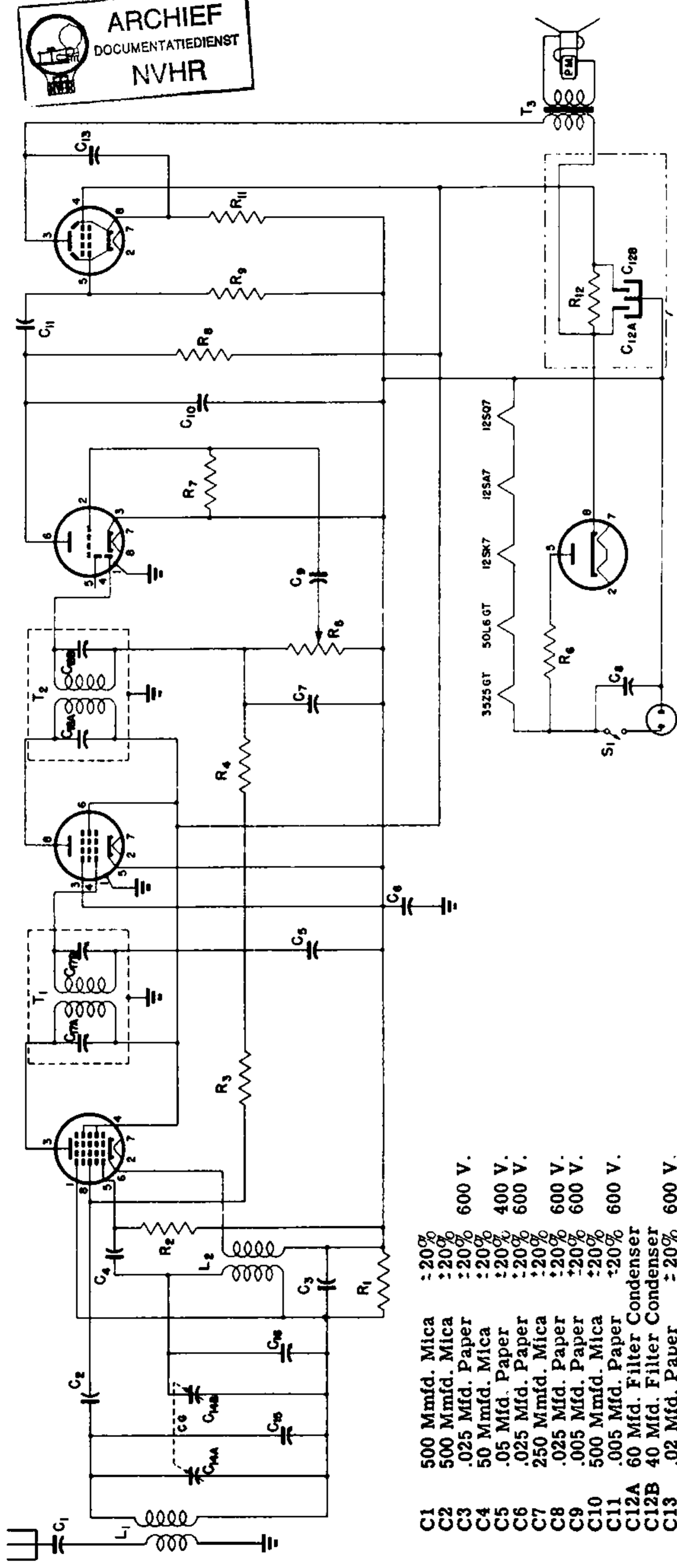


12SA7 12SK7 12SQ7 50L6GT

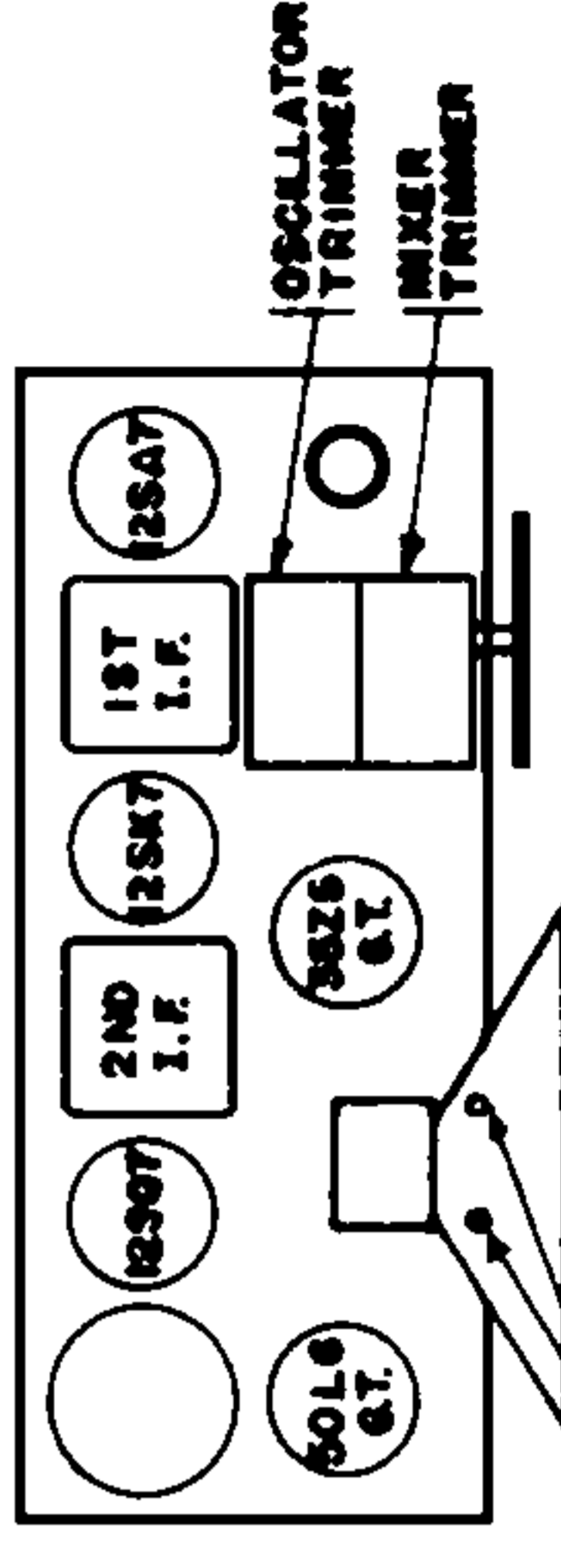


R12 ALL SETS SERIAL No. 84,000 UP. R10 ALL SETS TO SERIAL No. 84,000

Addison B2A, B2B, B2C

35Z5GT

- C1 500 Mmfd. Mica ±20%
- C2 500 Mmfd. Mica ±20%
- C3 .025 Mfd. Paper ±20%
- C4 50 Mmfd. Mica ±20%
- C5 .05 Mfd. Paper ±20%
- C6 .025 Mfd. Paper ±20%
- C7 250 Mmfd. Mica ±20%
- C8 .025 Mfd. Paper ±20%
- C9 .005 Mfd. Paper ±20%
- C10 500 Mmfd. Mica ±20%
- C11 .005 Mfd. Paper ±20%
- C12A 60 Mfd. Filter Capacitor
- C12B 40 Mfd. Filter Capacitor
- C13 .02 Mfd. Paper ±20%
- C14A Condenser Variable (Ant. Section)
- C14B Condenser Variable (Osc. Section)
- C15 Trimmer Condenser (Ant. 1500 KC.) on C14A
- C16 Trimmer Condenser (Osc. 1500 KC.) on C14B
- C17A Trimmer Condenser (On Input I.F. Trans. T1)
- C17B Trimmer Condenser (On Input I.F. " T1)
- C18A Trimmer Condenser (On Input I.F. " T2)
- C18B Trimmer Condenser (On Output I.F. " T2)
- R1 .47 Megohm ±20%
- R2 22,000 Ohm. ±20%
- R3 1 Megohm ±20%
- R4 2.2 Megohm ±20%
- R5 Volume Control .5 Megohm
- R6 On-Off Switch ±20%
- R7 22 Ohm. ±20%
- R8 10 Megohm ±20%
- R9 .47 Megohm ±20%
- R10 .47 Megohm ±5%
- R11 450 Ohm. ±20%
- R12 150 Ohm. ±20%
- R13 1000 ±20%
- R14 1/2 W.
- R15 1/4 W.
- R16 1/4 W.
- R17 1/4 W.
- R18 1/4 W.
- R19 5 W.
- R20 1/2 W.
- R21 1 W.



VOICE COIL LEADS
CHASSIS No. R5A1
456 KHZ I.F.
See 2A, 2B, 2C for alignment data
(no wave trap adjustment)

