

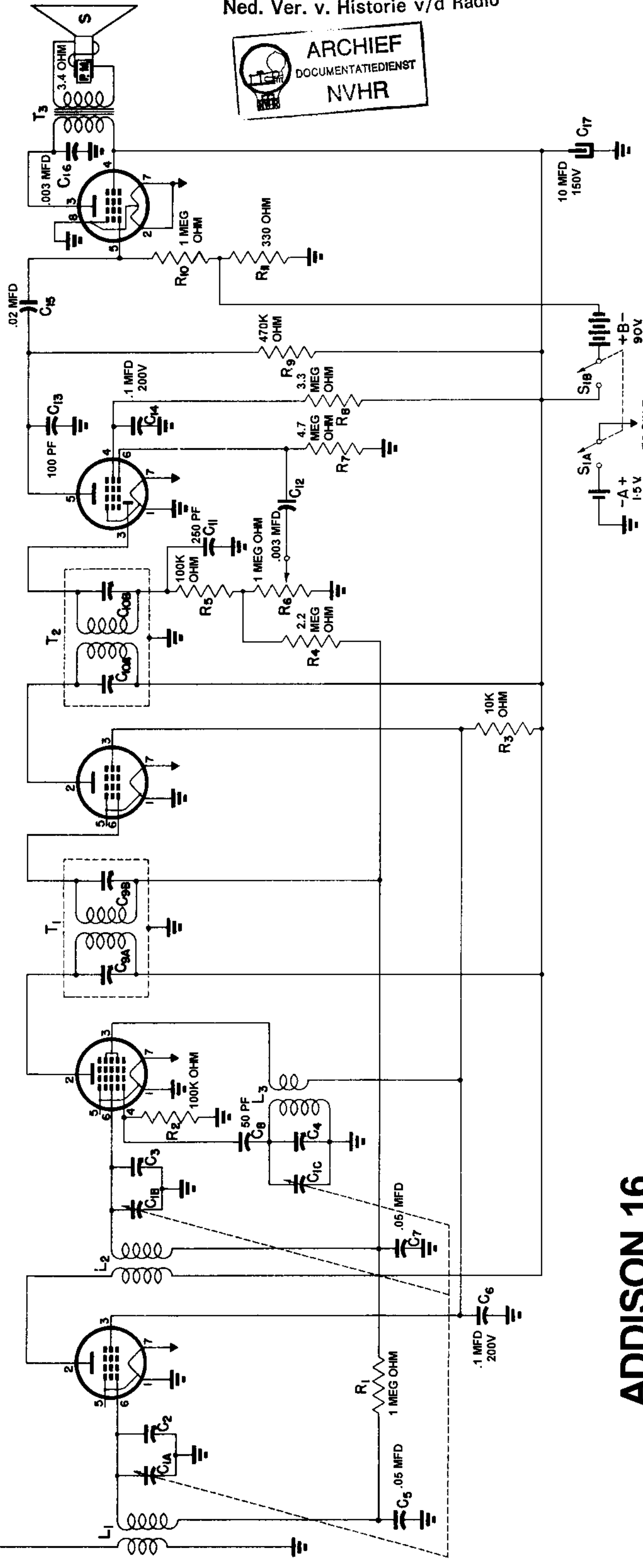
3Q5GT

IS5

IT4

IR5

IT4



ADDISON 16

ALIGNMENT PROCEDURE

All tuned circuits in this receiver have been accurately adjusted at the factory, and any further adjustment should not be necessary. If any re-alignment is required the procedure outlined in the Chart of Alignment Fig. 4 should be followed in the order shown.

Output Meter - Connect meter leads to the voice coil terminals of the speaker and turn the receiver volume control to maximum.

Test Oscillator or Signal Generator - For all alignment operations connect the ground side of the test apparatus to the receiver chassis, and keep the signal input to the circuit being tuned as low as possible to avoid A.V.C. action.

CHART OF ALIGNMENT PROCEDURE

Steps in Alignment	Test Oscillator			Receiver Dial Setting	Circuit to Adjust	Symbol on Schematic
	Connection to Receiver	Dummy Antenna	Frequency Setting			
1.	Control Grid IT4-I.F. Pin No. 6	.05 MFD.	456 Kc.	No Signal 540-700 Kc.	2nd I.F. Transformer	C10A C10B
2.	Control Grid IR5 Pin No. 6	.05 MFD.	456 Kc.	No Signal 540-700 Kc.	1st I.F. Transformer	C9A C9B
3.	Antenna Lead	200 MMF.	1500 Kc.	1500 Kc.	Oscillator Trimmer	C4
4.	Antenna Lead	200 MMF.	1500 Kc.	1500 Kc.	R.F. Trimmer	C3
5.	Antenna Lead	200 MMF.	1500 Kc.	1500 Kc.	Antenna Trimmer	C2

Fig. 4.

NOTE: Calibration points are marked on the top edge of the dial back at closed gang, 600 kc, 900 kc and 1500 kc. positions (see Fig. 2), for convenience in alignment of the receiver when out of the cabinet.

