

**AVOMETER  
MODEL 9**

**MARK II**

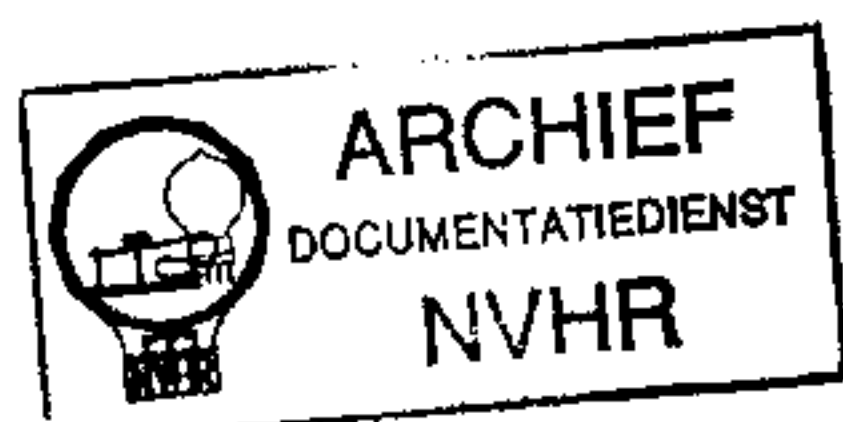
**WORKING  
INSTRUCTIONS**



**AVO LTD**

**AVO HOUSE, 92-96 VAUXHALL BRIDGE ROAD, LONDON S.W.1  
ENGLAND**

*Telephone: VICTORIA 3404 (12 lines) • Telegrams: AVOCET, LONDON SW1*



## THE MODEL 9 UNIVERSAL AVOMETER Mk. II



### INSTRUCTIONS FOR USE



**AVO LTD**

**AVOCET HOUSE, 92-96, VAUXHALL BRIDGE ROAD,  
LONDON, S.W.1.**

*Telegrams: AVOCET, LONDON, S.W.1*  
*Telephone: VICTORIA 3404 (12 lines)*



## FOREWORD

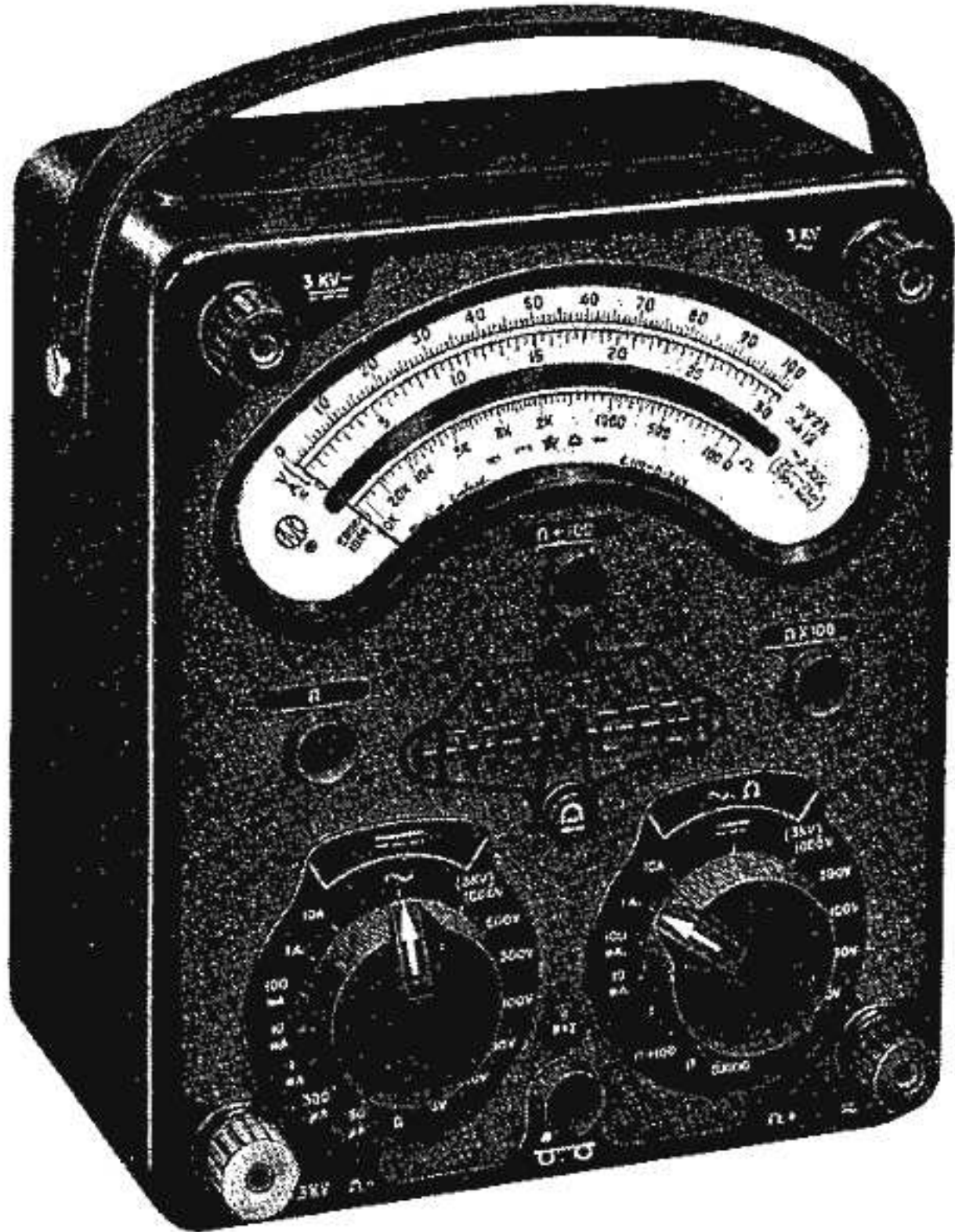
During the past forty years we have been engaged in the design and manufacture of AVO Electrical Measuring Instruments. Throughout that time we have consistently pioneered the design of modern multi-range instruments and have kept abreast of, and catered for, the requirements of the epoch-making developments in the fields of radio and electronics.

The success of our steadfast policy of maintaining high standards of performance in instruments of such wide versatility, and making such instruments available at reasonable cost, is reflected in the great respect and genuine goodwill which AVO products enjoy in every part of the world.

It has been gratifying to note the very large number of instances where the satisfaction obtained from the performance of one of our instruments has led to the automatic choice of other instruments from the AVO range. This process, having continued over a long period of years, has resulted in virtual standardisation on our products by numerous Public Bodies, The Services, Railway Systems, and many Post Office and Telegraph Undertakings throughout the world.

Our designers have thereby been encouraged to ensure that new instruments or accessories for inclusion in the AVO range fit in with existing AVO apparatus and serve to extend the usefulness of instruments already in being. Thus, the user who standardises on AVO products will seldom find himself short of essential measuring equipment, for, by means of suitable accessories, his existing equipment can often be adapted to most unusual demands.

It is with pleasure that we acknowledge that the unique position attained by AVO is due in no small measure to the co-operation of so many users who stimulate our Research and Development staffs from time to time with suggestions, criticisms, and even requests for the production of entirely new instruments or accessories. It is our desire to encourage and preserve this relationship between those who use AVO instruments and those who are responsible for their design and manufacture, and correspondence is therefore welcomed, whilst suggestions will receive prompt and sympathetic consideration.



# CONTENTS

|  | <i>Page<br/>No.</i> |
|--|---------------------|
| Foreword . . . . .                                       | 2                   |
| Introduction . . . . .                                   | 5                   |
| Table of Ranges . . . . .                                | 6                   |
| General Description . . . . .                            | 7                   |
| Limits of Accuracy . . . . .                             | 7                   |
| Design and Construction . . . . .                        | 8                   |
| Range Controls . . . . .                                 | 9                   |
| The Movement . . . . .                                   | 9                   |
| Scaling . . . . .  | 10                  |
| Replacement of Internal Battery, Cell and Fuse . . . . . | 10                  |
| Movement Reverse Control . . . . .                       | 10                  |
| Overload Protection . . . . .                            | 10                  |
| Operation of Instrument . . . . .                        | 11                  |
| Current Measurement . . . . .                            | 12                  |
| Voltage Measurement . . . . .                            | 12                  |
| Resistance Measurement . . . . .                         | 13                  |
| Accessories . . . . .                                    | 14                  |
| D.C. Voltage Multipliers . . . . .                       | 14                  |
| D.C. Shunts . . . . .                                    | 15                  |
| Transformers . . . . .                                   | 15                  |
| Conclusion . . . . .                                     | 16                  |
| Circuit Diagram of the Model 9 Avometer Mk. II . . . . . | 17                  |

## INTRODUCTION

Since its conception in 1923, the Avometer has maintained a distinct lead upon all its competitors, and can today quite rightly be termed the most popular instrument of its type in the world, for in no other instrument can one find such a unique combination of ranges and comprehensive automatic overload protection, in addition to a high degree of accuracy, reliability and simplicity of use.

Much time and thought is continually devoted by our design department to the improvement of our products and it is for the Electronic Radio and Television Engineer that this new instrument has been primarily produced. The Model 9 Avometer Mk. II has the high d.c. voltage sensitivity of the Model 8 Avometer, but is easier to read due to improved scaleplate design. A further useful feature which has been retained is the push-button change-over switch which enables the direction of the current through the moving coil to be reversed, thus obviating the necessity of changing leads when working with d.c. voltages and currents which may be either positive or negative in respect to a basic test position. The excellent qualities of previous models including the AVO automatic cut-out have been retained, and we have great confidence that given a reasonable amount of care and attention, not forgetting the removal of exhausted batteries, this instrument will give lasting satisfaction.

## TABLE OF RANGES

| D.C. Voltage<br>( $\text{---} \text{V}$ ) | D.C. Current<br>( $\text{---} \text{A}$ ) | A.C. Voltage<br>( $\sim \text{V}$ ) | A.C. Current<br>( $\sim \text{A}$ ) |
|---|---|-------------------------------------|-------------------------------------|
| 3kV                                       | 10A                                       | 3kV                                 | 10A                                 |
| 1,000V                                    | 1A  | 1,000V                              | 1A                                  |
| 600V                                      | 100mA                                     | 300V                                | 100mA                               |
| 300V                                      | 10mA                                      | 100V                                | 10mA                                |
| 100V                                      | 1mA                                       | 30V                                 |                                     |
| 30V                                       | 300 $\mu$ A                               | 10V                                 |                                     |
| 10V                                       | 50 $\mu$ A                                | 3V                                  |                                     |
| 3V  |   |                                     |                                     |

### RESISTANCE

0-20 megohms (200,000  $\Omega$  mid-scale)

0-200,000 ohms (2,000  $\Omega$  mid-scale)

0-2,000 (20  $\Omega$  mid-scale)



# THE MODEL 9 UNIVERSAL AVOMETER


## Mk. II

### General Description

The meter is extremely simple to use, range selection in general being accomplished by means of two switch knobs. All tests, except those on the 3kV ranges, make use of the pair of terminals at the base of the instrument.

A clearly marked 5-in. scale has uniformly divided graduations to match 100 and 300 scale markings, and in addition there is an ohms scale. An anti-parallax mirror permits readings of the knife edge pointer to be made with great precision.

An important and entirely new feature of the instrument is that all range switches, controls and terminals are identified with graphical symbols which in general follow the recommendations of the International Electrotechnical Commission (I.E.C.). To assist the user these symbols and their equivalents are listed below.

| SYMBOL  | DEFINITION   |
|---|--|
|  | Alternating Current (a.c.)<br>Direct Current (d.c.)<br>Cut-out<br>Movement reverse control (REV.M.C.)<br>Ohms<br>Moving Coil<br>Rectifier instrument<br>For horizontal use<br>For a.c./d.c. use<br>Flash tested at 6kV |

The meter is supplied complete with a pair of special rubber covered leads which are intended for attachment to the Avometer by means of its captive terminals. The remote ends of the leads are fitted with spring clips, which may be interchanged with the AVO Long Reach Safety Clips Mk. II supplied with the instrument which have been introduced to enable connections for test purposes to be made at what are normally inaccessible points on a chassis.

### Limits of Accuracy

Generally speaking, the highest percentage accuracy on current and voltage ranges is obtainable at the upper end of the scale, but on resistance ranges it is better towards the centre of the scale. In the case of voltage measurements, which are more frequently taken than



those of current, successive ranges have been closely chosen to obviate the need for taking readings on very small deflections.

The instrument will produce its highest accuracy when used face upwards, in which position it has been calibrated.

D.C. Voltage. 2% of indication between full-scale and half-scale deflection. Below half-scale deflection, 1% of the full-scale value.

D.C. Current. 1% of full-scale value over effective range.

A.C. Voltage. 2.25% of full-scale value over effective range (25–2000 c/s).

A.C. Current. 2.25% of full-scale value over effective range.

'Effective range' is in accordance with British Standard Specification 89/1954 as follows,

D.C.—from 0.1 of f.s.d. to f.s.d.

A.C.—from 0.25 of f.s.d. to f.s.d.

It will be noted that with the exception of the d.c. voltage ranges, the instrument meets the requirements laid down in Section 6 of the British Standard Specification 89/1954 for 5-in. (127mm.) scale-length Industrial Portable Instruments. In practice, the Model 9 Mk. II is well within the above limits, due to the great care taken in the manufacture of its various components, and to the fine initial calibration.

Inasmuch as rectifier moving coil instruments give readings on 'a.c.' proportional to the mean and not the r.m.s. value of the wave form with which they are presented, they depend for their accuracy not only upon their initial calibration, but also upon the maintenance of a sinusoidal wave form. Since the form factor (r.m.s. value divided by mean value) of a sine wave is 1.11, this has been taken into account in calibrating the meter which does, therefore, indicate r.m.s. values on the assumption that the normal sine wave will be encountered. Generally speaking, considerable wave form distortion can occur without appreciably affecting the form factor and resulting accuracy of measurement, but the user should recognise the possibility of some error when using distorted wave forms, squarish wave shapes producing high readings, and peaky ones, low readings.

## Design and Construction

The instrument consists of a moulded panel on the inside of which are mounted the whole of the switching apparatus, resistances, shunts, transformer, rectifier, etc., together with the movement. The panel fits into a robust moulded case, the joint being rendered completely dust proof, whilst a carrying strap is provided to facilitate portability. The main switching is accomplished automatically by means of two knobs which indicate on the engraved panel, the range in use. These switches are of generous and robust design, the contacts being arranged to 'make' before 'break' on adjacent ranges; a feature which provides a factor of safety in use.

When the instrument is set for operation on d.c., the moving coil is associated with a universal shunt and series multipliers, whilst on a.c., a full-wave rectifier and transformer are also introduced.

## Range Controls

The left-hand knob provides all the d.c. current and voltage ranges (except 3kV) and the right-hand knob the a.c. ranges (except 3kV) and also the resistance ranges. These knobs are electrically interlocked so that d.c. readings can only be made after the right-hand switch has been set to d.c., and the left-hand switch to the range selected. a.c. readings call for the left-hand switch to be set for a.c. (it must not be left at RESISTANCE) and the right-hand switch at the range required. Resistance tests require the left-hand switch to be set to RESISTANCE and the right-hand one to the desired range.

If the switches are inadvertently left to actual ranges simultaneously, there is no circuit through the meter, and it is thereby safeguarded against accidental damage or misleading readings.

It is possible to determine whether a source is a.c. or d.c., since a.c. will not produce pointer indication when the meter is set for d.c. measurement. A small pointer indication, however, may result if d.c. current is passed through an a.c. range, but no harm can be done to the meter provided it is not at the same time grossly overloaded.

The main ranges are engraved on the panel around the switches, and arrow heads on the knobs indicate the actual range selected. In the case of voltage, successive ranges are built up on the ratios 3·3 : 1 and 3 : 1, but in the case of current, a wide coverage has been chosen instead and the 10 : 1 ratio in general is followed. The 3kV a.c. and d.c. ranges are available by means of the two special terminals so marked.

Extremely wide coverage in resistance has been achieved by having a fundamental range as marked on the scale, together with ranges of  $\times 100$  and  $\div 100$  to supplement it. Before carrying out resistance tests, the meter should be adjusted for the state of the batteries. It is merely necessary to join the leads together and adjust to zero in the following sequence: ohms, ohms  $\div 100$ , followed by ohms  $\times 100$ , using in each case the adjuster to match the range.

## The Movement

The moving coil consists of an aluminium alloy former, wound with copper wire and supplemented with Constantan in order to reduce temperature error. It is pivoted on hardened and highly polished steel pivots between conical spring-loaded jewels, and swings in a gap energised by two powerfully magnetised and aged 'Alcomax' blocks associated with mild steel pole pieces. Two phosphor bronze hair springs are fitted for the purpose of conveying current to the moving coil, and to provide controlling torque. A knife edge type of pointer

is fitted enabling very fine readings to be taken, whilst the whole movement is perfectly balanced and reasonably damped so that the pointer quickly comes to rest. Temperature compensation for the movement is provided by a thermistor.

### **Scaling**

The scaleplate has three main sets of markings, each of approximately 5in. length, the two outermost being for voltage and current (both a.c. and d.c.) which are marked 0-100 and 0-30 with divisions approximately 1.25mm. apart. The third scale is used for measuring resistance and is calibrated 0-200 k $\Omega$  (2 k $\Omega$  mid-scale).

### **Replacement of Internal Battery Cell and Fuse**

Inside the cover, under the carrying strap is mounted a 15V battery, a 1½V cell and a 1A fuse together with a spare fuse. The batteries should be examined from time to time to ensure that the electrolyte is not leaking and damaging the instrument. This condition will generally occur only when the cells are nearly exhausted. If it is known that the meter is going to stand unused for several months, it is preferable that these batteries should be removed to prevent possible damage.

When replacing batteries, the 1½V cell and the 15V battery must be inserted with the poles to match the markings of polarity inside the battery box. The 1A fuse is located in the battery compartment and is connected in series with the 1.5V cell.

Replacements: 1.5V cell, 1½ in. dia.  $\times$  2½ in., such as Ever Ready (or overseas, Berrec) U.2.

15V battery, 1½  $\times$  5/8  $\times$  1½ in., such as Ever Ready B.121.

### **Movement Reverse Control**

It sometimes happens that d.c. voltages may be required both positive and negative to a reference point, or the direction of flow may be reversed. In order to simplify the matter of lead alteration, a movement reverse press button is provided. It should be noted that the polarity marked on the terminals is for normal use and does not apply when the button is pressed.

### **Overload Protection**

Apart from the ability to do its job, one of the most attractive features of the instrument is the provision of an automatic cut-out which gives a very high degree of overload protection to the whole of the instrument. The incorporation of this device will be found to be of particular value when conducting experimental work, for it imparts to the user the feeling of mental ease and confidence. When conducting experimental work with conventional moving coil meters, these can be easily ruined by inadvertently applied overloads, whereas the Avometer is so well protected that it can withstand considerable mishandling.

If an overload is applied to the meter, the cut-out knob springs from its normal position in the panel, thus breaking the main circuit,

and this knob has only to be depressed to render the instrument again ready for use. It is important to note that the cut-out should never be reset when the instrument is connected to an external circuit, whilst the fault which caused the overload should be rectified before the meter is reconnected.

The mechanism is brought into operation by the moving coil coming into contact with a trigger just beyond its full-scale position. There is, in addition, a second release at the zero end, so that the cut-out is tripped if the meter is overloaded in reverse. Additional protection is provided on both  $\Omega$  and  $\Omega \div 100$  ranges by means of a 1A fuse.

Although the overload mechanism gives almost complete protection to the meter, it cannot be guaranteed to fulfil completely its function in the very worst cases of misuse, such as the mains being connected across the meter when set to a current range. It should be noted that mechanical shock to the instrument will sometimes trip the cut-out mechanism. The cut-out should be reset, using direct pressure and without twisting the button, the instrument lying face upwards.

#### **WARNING**

*Special care must be taken when using the instrument to service television receivers or other apparatus employing capacitors of large capacity, for the inclusion of such components in a circuit may mean that very heavy peak currents may flow when the apparatus is switched on. Such surges produce a peaky wave form, and although these peaks are of only a few milli-seconds duration, they may, never the less, puncture the instrument rectifier. It is impossible to guard against this cause of damage by means of any form of cut-out mechanism, but instruments have been fitted with a surge suppression rectifier (SAI) across the main rectifier, to give the maximum protection which can be devised.*

## **OPERATION OF INSTRUMENT**

The meter is intended for use horizontally. Should it happen by any chance that the pointer is not on zero, it may be so set by means of the screw head on the panel.

The leads fitted with Long Reach Safety Clips or clips, as required, should be connected to the lower pair of meter terminals in all cases except when measuring voltages over 1,000V (see next paragraph).

When measuring current or voltage, ensure that the instrument is set to match the type of source to be measured (either a.c. or d.c.) and then choose a suitable range before connecting up to the circuit under test. When in reasonable doubt, always switch to the highest range and work downwards, there being no necessity to disconnect the leads as the switch position is changed. *Do not, however switch off by rotating either of the knobs to a blank position.*

The instrument is flash tested at 6,000V a.c., but should the meter be used with accessories on circuits in excess of 3kV, it should be kept at the low potential end of the circuit (near earth potential). If this procedure cannot be adopted other suitable safeguards must be applied.

## CURRENT MEASUREMENT

To measure current, the instrument should be set to a suitable a.c. or d.c. range, and then connected in series with the apparatus to be tested.

Generally speaking, the power absorbed in the instrument is negligible, but in cases of low voltage heavy current circuits, the inclusion of a meter may reduce the current appreciably below the value which would otherwise prevail. The potential drop at the meter terminals is in the order of 500mV at f.s.d. on all d.c. ranges, except the 50 microamp range which has a drop of 125 milli-volts. In the case of a.c., it is less than 250mV on all ranges.

Standard meter leads have a resistance of 0.02  $\Omega$  per pair.

In certain cases, care should be taken to ensure that the circuit is 'dead' before breaking into it to make current measurements.

## VOLTAGE MEASUREMENT

When measuring voltage, it is necessary to set the appropriate range of 'a.c.' or 'd.c.' and connect the leads across the source of voltage to be measured. If the expected magnitude of the voltage is within the range of the meter, but its actual value is unknown, set the instrument to its highest range, connect up and if below 1,000V rotate the appropriate selector switch, decreasing the ranges step by step, until the most suitable range has been selected. Great care must be exercised when making connections to a live circuit, and the procedure should be entirely avoided if possible.

If the voltage should exceed 1,000V., the instrument should be set to measure 1,000V as described above, but the negative lead should be transferred to the appropriate 3kV terminal.

On d.c. ranges, the meter consumes only 50 microamps at full-scale deflection, this sensitivity corresponding to 20,000  $\Omega$  per volt. In the case of a.c. ranges from 100V upwards, full-scale deflection is obtained with a consumption of 1mA (1,000  $\Omega$  per volt). The 30V, 10V and 3V a.c. ranges consume 3, 10 and 30mA respectively at full-scale deflection. The meter maintains a high degree of accuracy for audio frequency tests up to 10 kc/s on ranges up to 300V a.c.

Whilst discussing the problem of measuring voltage, it would be well to draw attention to the fact that in certain circuits where the current is limited because of the presence of a resistance between the source and the point at which a measurement is to be made, it is possible for the actual voltage to be higher normally than when the meter is connected. All current consuming voltmeters, however sensitive, draw current to varying degrees from the circuit under test, thus causing a higher volts drop in the resistances mentioned, and thereby causing the voltage to fall at the point of measurement.

Owing to the high sensitivity of the Model 9 Mk. II on its d.c. ranges, this effect is unlikely to be of importance except in a very few instances. A practical example of where it might be taken into account is in the measurement of e.h.t. voltage on a television set or the tapping on a potential divider, where the resistances are so high as to be comparable with the resistance of the meter on the range in use. It is generally possible to use a meter on a higher range than absolutely necessary, and in such a case the higher meter resistance causes less disturbance than would otherwise be the case. At the same time adequate pointer deflection for reasonable accuracy should be attained.

When it is essential to obtain an accurate indication of the voltage developed across a high resistance it is sometimes preferable to insert the meter in series with it, and to measure the current flowing. The reading given upon the meter, in milliamps, multiplied by the value of the resistance in thousands of ohms, will give the developed voltage

## RESISTANCE MEASUREMENT

There are three self-contained ranges covering from 0.5 ohms to 20 megohms. These ranges make use of the usual series circuit, and successive ranges are on 100 : 1 ratio, which permits of very wide coverage with three ranges.

On resistance ranges, the meter must not merely start from its normal instrument zero, but must have, in addition, a resistance zero corresponding to the full-scale deflection of the meter. Before carrying out tests for resistance a check and, if necessary, adjustment should be carried out to ensure that when the leads are joined together the meter actually indicates zero ohms, irrespective of the condition of the battery (within the limits of adjustment). The method of adjustment is described later.

Owing to the nature of the scale, it is not easy to define the accuracy, but it should be within 3 per cent of the reading about centre scale, increasing up to about 10 per cent of the indication around deflections corresponding to 10 per cent and 90 per cent of full-scale deflection.

Resistance test should never be carried out on components which are already carrying current.

It should be remembered that a positive potential appears at the negative terminal of the instrument when set for resistance tests. This fact may be important because the resistance of some components varies according to the direction of the current through them, and readings, therefore, depend upon the direction in which the test voltage is applied, quite apart from its magnitude. Such cases include electrolytic capacitors and rectifiers.

When measuring the leakage resistance of an electrolytic capacitor, the negative lead from the meter should be connected to the positive terminal of the capacitor, and the  $\Omega \times 100$  range employed.



Before making resistance tests the pointer should be adjusted to zero in the following sequence:—

1. Set left-hand switch at  $\Omega$ .
2. Join leads together.
3. On the  $\Omega$  range, adjust to zero by means of the knob marked ' $\Omega$ '.
4. On the ' $\Omega \div 100$ ' range, adjust to zero by means of the knob marked ' $\Omega \div 100$ '.
5. On the ' $\Omega \times 100$ ' range, adjust to zero by means of the knob marked ' $\Omega \times 100$ '.

To test resistance, set the right-hand switch at the range required, the leads being connected across the unknown component.

Resistance is read directly on the ' $\Omega$ ' range, but indications should be divided or multiplied by 100 on the other two ranges.

If on joining the leads together it is impossible to obtain zero ohms setting, or if furthermore the pointer position will not remain constant, but falls steadily, the internal battery or cell concerned should be replaced. It is important that a discharged unit should not be left in the instrument, since the electrolyte might seep through and cause damage to the meter. If it is impossible to obtain readings on the  $\Omega$  and  $\Omega \div 100$  ranges the 1A fuse located in the battery box should be checked.

#### NOTE:

It can so happen that a 15V battery may age in such a manner that although it indicates a potential of 15V, its internal resistance has increased so much that some loss of accuracy can occur on the high resistance range ( $\Omega \times 100$ ). If the battery has been in use for some time, or if errors are suspected on the high resistance range, it is worth while *removing* the battery and checking its short circuit current on the 100mA d.c. range. If the battery fails to give a reading greater than 5mA. it should be discarded.

## ACCESSORIES

### D.C. Voltage Multipliers

#### *10kV D.C. Multiplier*

A 10kV d.c. Multiplier has been developed mainly to enable tests to be carried out in television circuits. The multiplier should be connected in series with the meter on its 3kV  $\text{---}$  range, in which state maximum consumption on measurement cannot exceed 50 microamps, and may be considerably less. It is recommended that the meter is kept as near earth potential as possible, and the multiplier used at the high potential end, e.g., when measuring an e.h.t. voltage where the negative line is earthy, the multiplier should be connected between the point of positive potential and the positive terminal of the meter, the



negative lead being connected to the terminal marked  $3kV\text{---}$ . We do not recommend, in such cases, connecting the multiplier to the  $3kV\text{---}$  terminal and pressing the moving coil reverse button, notwithstanding the fact that the meter is at the earthy end of the circuit.

### *30kV d.c. Multiplier*

A 30kV d.c. Multiplier is available for use in series with the meter set to its 10V d.c. range, readings being made direct in kV on the 0-30 scale. It is *most* important to ensure that the meter is kept in the earthy end of the circuit and the multiplier connected to either the positive or negative terminal whichever is at high potential. This method of connection to get forward pointer indication with the meter earthy is recommended as we do not think it desirable to use the moving coil reverse button when measuring high voltage.

In general we recommend that neither the meter, multiplier nor leads are handled whilst high voltage tests are in progress, and a special lead is provided with the multiplier for connection to the high potential point.

#### NOTE:

The 3kV d.c. range is not employed when using this multiplier.

### **D.C. Shunts**

Shunts are available to extend the d.c. current ranges. The shunt should be connected by means of its two main terminals in series with the circuit to be measured. The meter, set to its  $50\mu A$  (125mV) d.c. position should then be connected to the two small studs on the shunt end blocks.

The Avometer when so set, consumes only  $50\mu A$  at full-scale deflection, a value which is negligible in comparison with the full-scale current of the shunt. The millivolt drop across the shunt is directly proportional to any current which may flow through it and since the deflection on the meter is directly proportional to the millivolt drop across its terminals, the instrument indicates correctly over its entire scale length.

Shunts for 30A, 100A and 300A are available.

### **Transformers**

Transformers are available to extend the a.c. current ranges, when set to 100mA a.c. It is necessary to connect the meter set to its 100mA range to the secondary of the transformer before current is passed through the primary, and care should be taken that the cut-out is in position. If this course is not followed, quite a considerable voltage will appear at the secondary terminals, if current passes through the primary. Transformers for 30A, 100A and 300A are available.

## CONCLUSION

Due to the high operational standards maintained throughout our organisation, and the close limits within which we work, breakdowns are comparatively rare, and can often be traced to transit damage or careless handling, for which the Company cannot be held responsible. Should you at any time have to return your instrument to the Company for repair, pack it carefully and enclose a note informing our engineers of the faults which you have found.

A Service Manual for this instrument is now available.

### TABLE OF COMPONENTS

| Circuit Ref. | Value           | Tolerance           |
|--------------|-----------------|---------------------|
| R.1          | 2M $\Omega$     | -1% -3%             |
| R.2          | 700k $\Omega$   | -1% -3%             |
| R.3          | 200k $\Omega$   | +0.2% -0.8%         |
| R.4          | 99k $\Omega$    | +0.2% -0.8%         |
| R.5          | 9.8k $\Omega$   | $\pm$ 0.5%          |
| R.6          | 973 $\Omega$    | $\pm$ 0.5%          |
| R.7          | 96.5 $\Omega$   | $\pm$ 0.5%          |
| R.8          | 740 $\Omega$    | $\pm$ 1 $\Omega$    |
| R.9          | 0.05 $\Omega$   | $\pm$ 0.3%          |
| R.10         | Swamp           | —                   |
| R.11         | 0.45 $\Omega$   | $\pm$ 0.3%          |
| R.12         | 4.5 $\Omega$    | $\pm$ 0.3%          |
| R.13         | 9 $\Omega$      | $\pm$ 0.05 $\Omega$ |
| R.14         | 2.8 $\Omega$    | $\pm$ 0.3%          |
| R.15         | 42.2 $\Omega$   | $\pm$ 0.3%          |
| R.16         | 1230 $\Omega$   | $\pm$ 3 $\Omega$    |
| R.17         | 600 $\Omega$    | $\pm$ 5%            |
| R.18         | 450 $\Omega$    | $\pm$ 0.3%          |
| R.19         | 300 $\Omega$    | $\pm$ 0.3%          |
| R.20         | 867 $\Omega$    | $\pm$ 0.3%          |
| R.21         | 8.333k $\Omega$ | $\pm$ 0.3%          |
| R.22         | 3.3k $\Omega$   | $\pm$ 5%            |
| R.23         | 57.5k $\Omega$  | +0.1% -0.5%         |
| R.24         | 140k $\Omega$   | +0.1% -0.5%         |
| R.25         | 400k $\Omega$   | +0.1% -0.5%         |
| R.26         | 1.4M $\Omega$   | +0.1% -0.5%         |
| R.27         | 4M $\Omega$     | +0.1% -0.5%         |
| R.28         | 14M $\Omega$    | +1% -3%             |
| R.29         | 40M $\Omega$    | -1% -3%             |
| R.30         | 6M $\Omega$     | +0.1% -0.5%         |
| M.1          | 37.5 $\mu$ -A   |                     |
| MR.1         | F.W. BRIDGE     |                     |
| MR.2         | 5A.1            |                     |
| RV.1         | 5 $\Omega$      |                     |
| RV.2         | 5k $\Omega$     |                     |
| RV.3         | 5k $\Omega$     |                     |
| TH.1         | VA 1039         |                     |
| BY.1         | 15V             |                     |
| BY.2         | 1.5V            |                     |

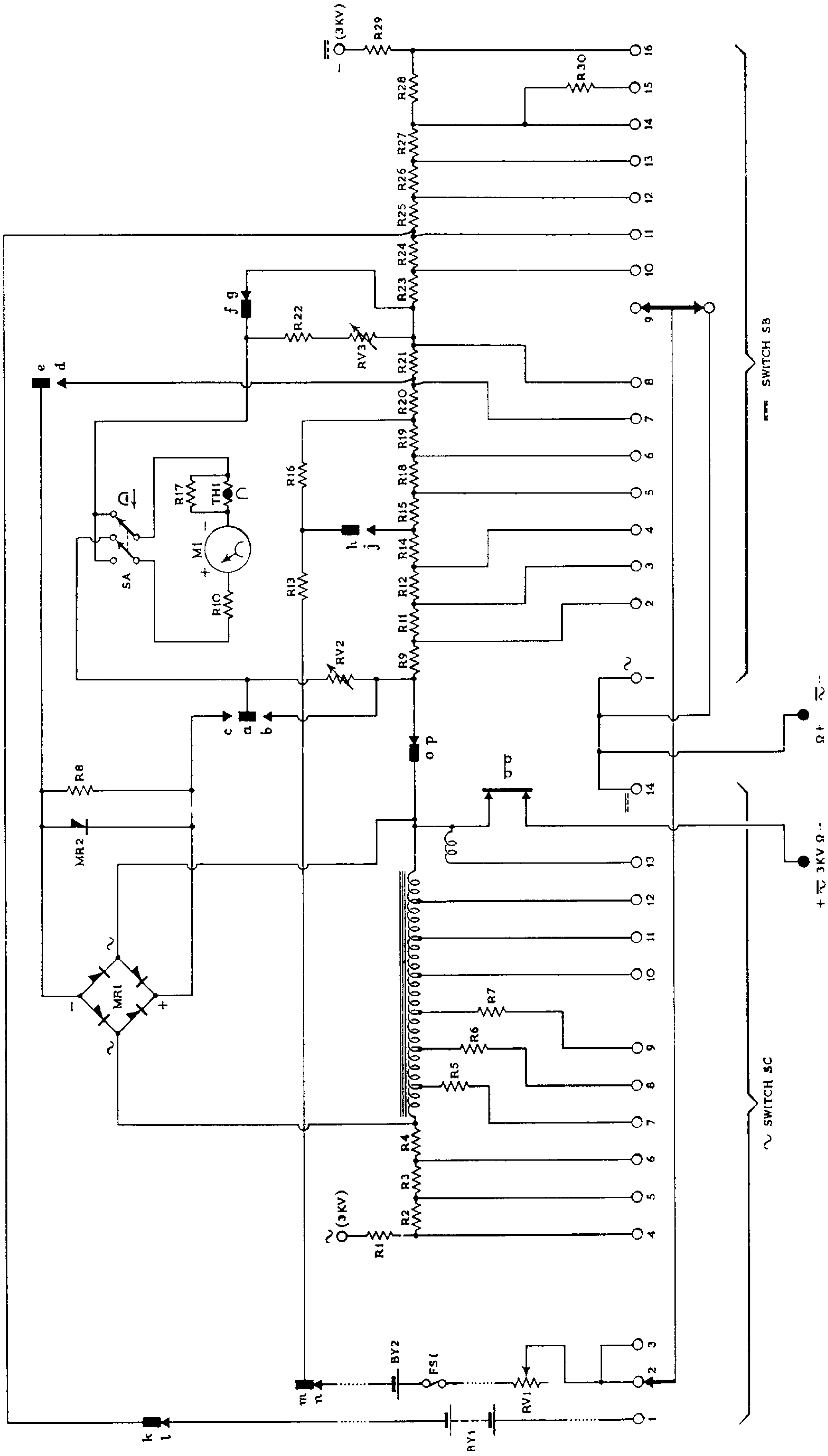
## A.C. RANGE SWITCH ( ~ )

| Position | Range               | No. | Range |
|----------|---------------------|-----|-------|
| 1        | $\Omega \times 100$ | 8   | 10V   |
| 2        | $\Omega$            | 9   | 3V    |
| 3        | $\Omega \div 100$   | 10  | 10mA  |
| 4        | 1000V               | 11  | 100mA |
| 5        | 300V                | 12  | 1A    |
| 6        | 100V                | 13  | 10A   |
| 7        | 30V                 | 14  | D.C.  |

## D.C. RANGE SWITCH ( == )

| Position | Range       | No. | Range    |
|----------|-------------|-----|----------|
| 1        | A.C.        | 9   | $\Omega$ |
| 2        | 10A         | 10  | 3V       |
| 3        | 1A          | 11  | 10V      |
| 4        | 100mA       | 12  | 30V      |
| 5        | 10mA        | 13  | 100V     |
| 6        | 1mA         | 14  | 300V     |
| 7        | 300 $\mu$ A | 15  | 600V     |
| 8        | 50 $\mu$ A  | 16  | 1000V    |

| ~ SWITCH CAM<br>(OUTER SEGMENT)          |                                     | ~ SWITCH CAM<br>(INNER SEGMENT) |                        | == SWITCH CAM           |                                     |
|--|-------------------------------------|---------------------------------|------------------------|-------------------------|-------------------------------------|
| Range                                    | Contacts                            | Range                           | Contacts               | Range                   | Contacts                            |
| $\Omega \div 100$<br>and $\Omega$        | ab open<br>ac open<br>de open       | $\Omega \times 100$             | fg open<br>hj open     | $\Omega$                | op closed<br>kl closed<br>mn closed |
| All a.c. Ranges                          | ab closed<br>ac closed<br>de closed | $\Omega \div 100$               | fg closed<br>hj closed | ~ Range                 | { op open<br>kl open<br>mn open     |
| All dc ranges and<br>$\Omega \times 100$ | ab closed<br>ac open<br>de open     | All dc ranges and<br>$\Omega$   | fg closed<br>hj open   | dc volts and<br>current | { kl open<br>mn open<br>op closed   |



Circuit Diagram of the Model 9 Avometer Mk. II

Met dank aan Henrik Ros