

1. D.C. VOLTAGES MEASURED TO GROUND WITH 20,000 OHMS PER VOLT METER . VOLUME CONTROL AT MAXIMUM. NO SIGNAL INPUT. LINE VOLTAGE 117 V. OR 125 V. TO AGREE WITH CONNECTION TO POWER TRANSFORMER PRIMARY WINDING.

2. SIGNAL VOLTAGES SHOWN AS  $\text{V}_{25}$  ARE MEASURED TO GROUND WITH A.C. V.T.V.M. SIGNAL INPUT .010 V. AT 1000 CYCLES. VOLUME CONTROL AT MAXIMUM. FIDELITY EQUALIZER CONTROL AT POSITION 3.

3. # APPROXIMATE VOLTAGE MEASURED WITH V.T.V.M.

4. RESISTOR RATINGS ARE 1/2 WATT UNLESS OTHERWISE SPECIFIED.

5. CAPACITOR VOLTAGE RATINGS ARE 600 V. UNLESS OTHERWISE SPECIFIED.

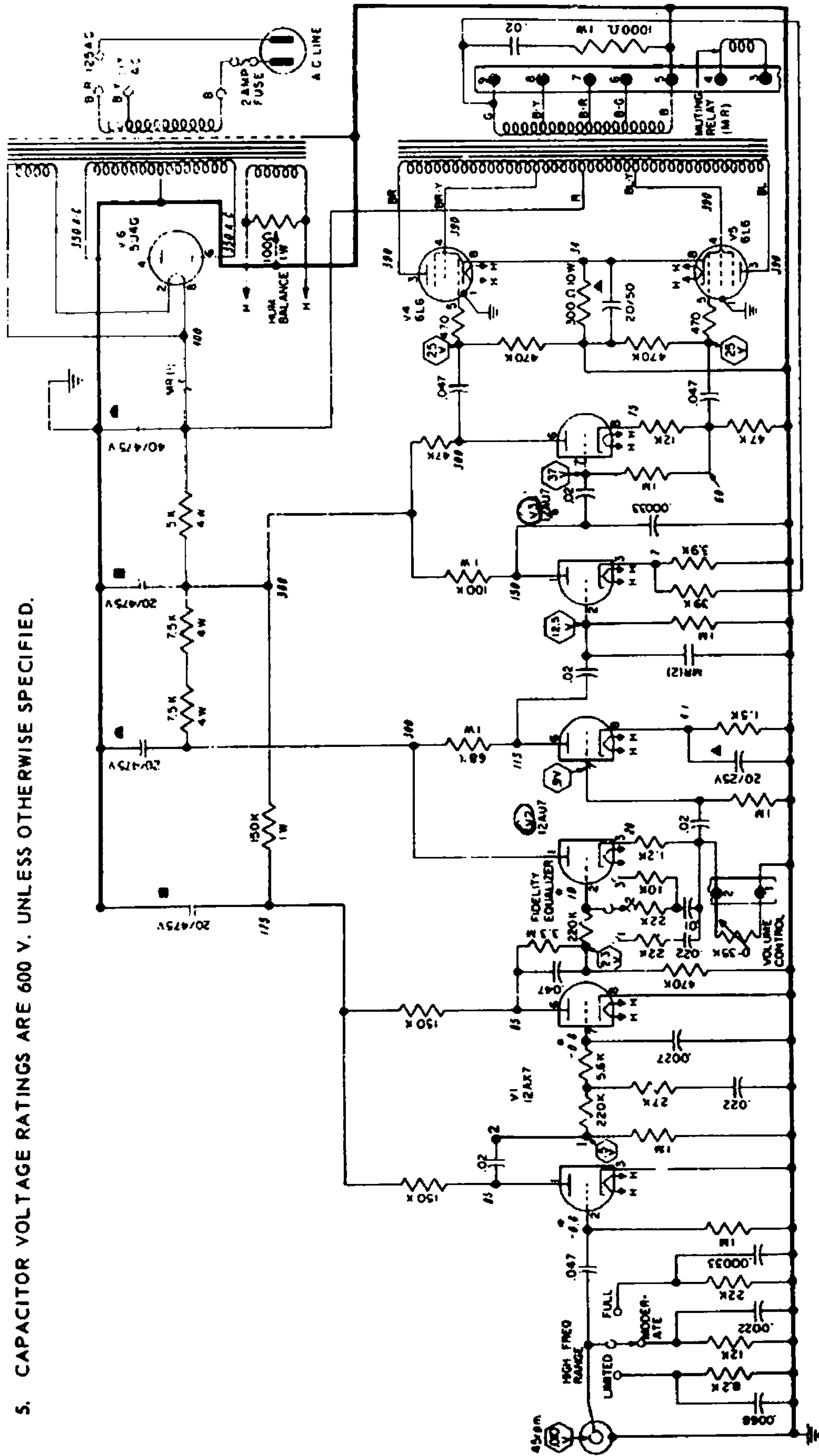


FIG. 17 AMPLIFIER SCHEMATIC DIAGRAM