



PHOTOFACT[®] with

CIRCUITRACE[®]

Met dank aan Jef Bos

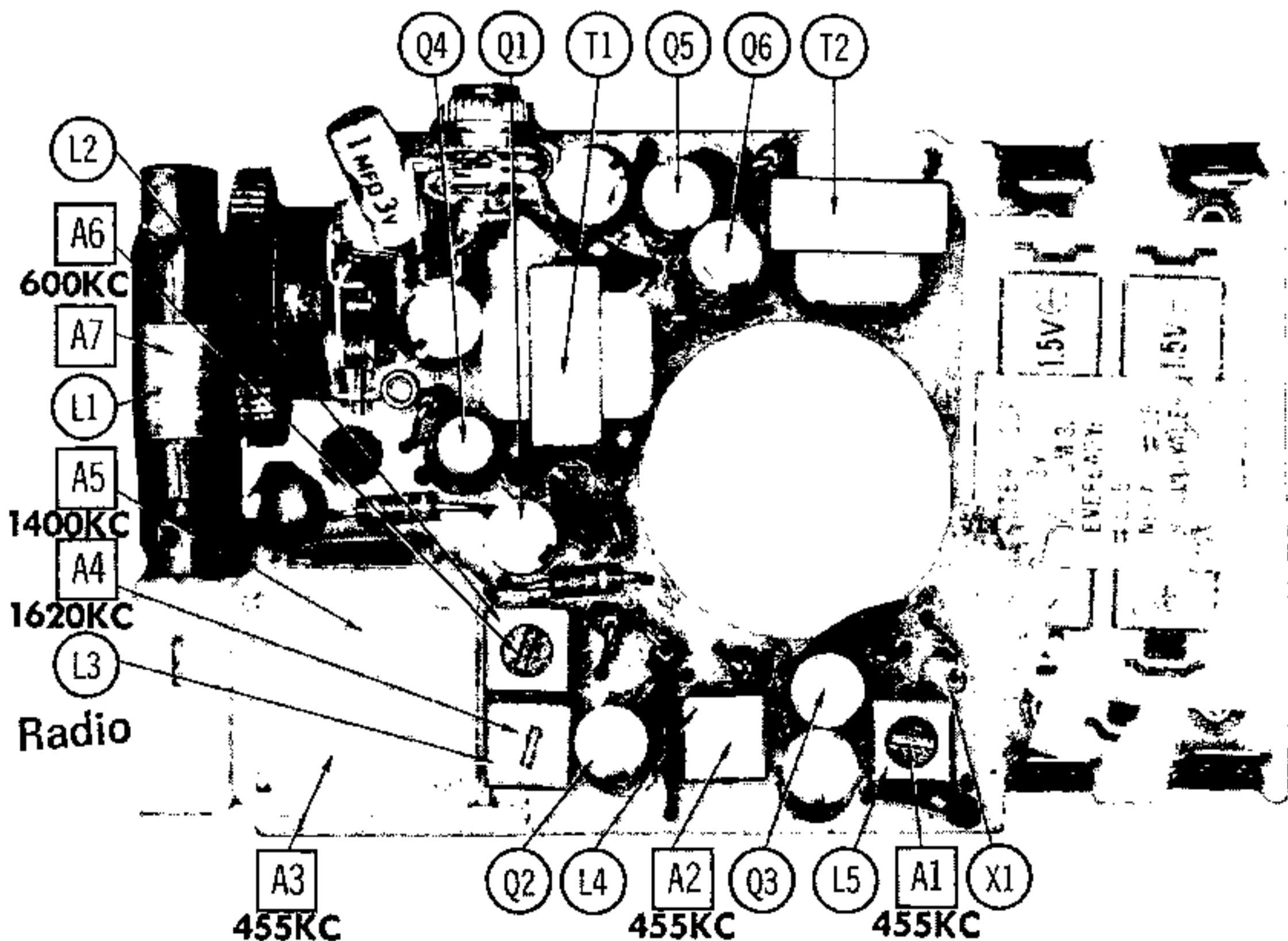


TRADE NAME: Aiwa Model AR-666
 SUPPLIER: For Current Address, see Annual Index
 TYPE SET: 6-Transistor AM Receiver
 POWER SUPPLY: 3 Volts DC
 RATING: 10ma @ 3VDC (No Signal, Min. Volume)
 25ma @ 3VDC (Signal, Normal Volume)
 TUNING RANGE: BROADCAST 540 - 1620KC

ALIGNMENT INSTRUCTIONS

Check for specified source voltage. Set Volume control at maximum.
 Fashion loop of several turns of wire and connect generator across loop.
 Adjust output of generator to radiate only enough signal into receiver to obtain a suitable indication.
 Suggested Alignment Tools: A1 thru A6...GENERAL CEMENT #8868, 9089....WALSCO #2541, 2587

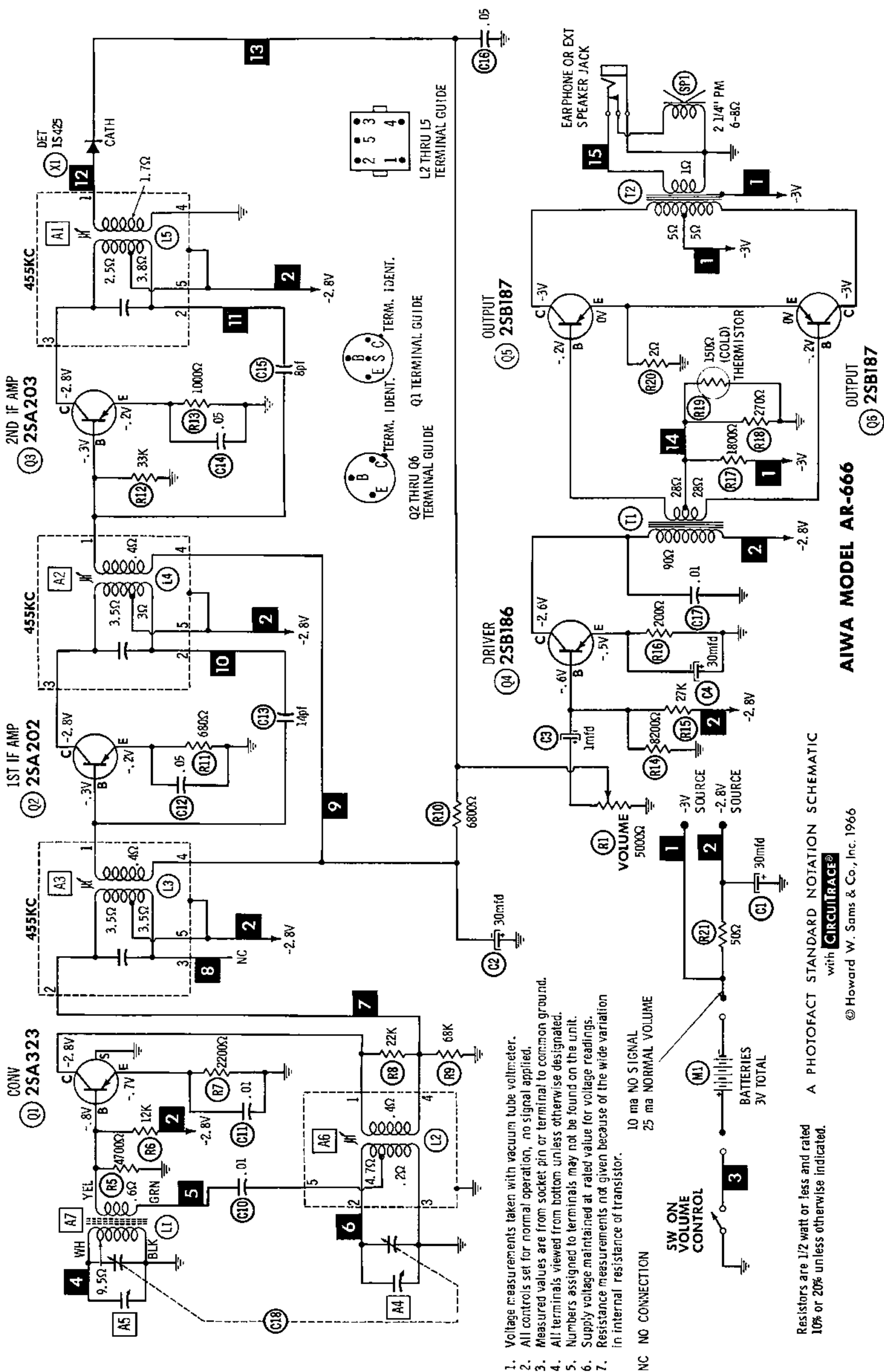
GENERATOR FREQUENCY	DIAL SETTING	INDICATOR	ADJUST	REMARKS
1. 455KC (400v Mod.)	Tuning gang fully open.	Output Meter across Voice coll.	A1, A2, A3	Adjust for maximum. Repeat until no further improvement can be made.
2. 1620KC	"	"	A4	Adjust for maximum.
3. 1400KC	Tune to signal.	"	A5	Adjust for maximum.
4. 600KC	"	"	A6, A7	Rock tuning gang and adjust for maximum. Repeat steps 2 thru 4 until no further improvement can be made. Adjust A7 by sliding coil on ferrite core.



v. Historie v/d Radio
ARCHIEF
 DOCUMENTATIEDIENST
NVHR

HOWARD W. SAMS & CO., INC. Indianapolis, Indiana 46206

© 1966 Howard W. Sams & Co., Inc. Printed in U. S. of America RF723



AIWA MODEL AR-666

A PHOTOFACT STANDARD NOTATION SCHEMATIC with **CIRCUITRACE®**

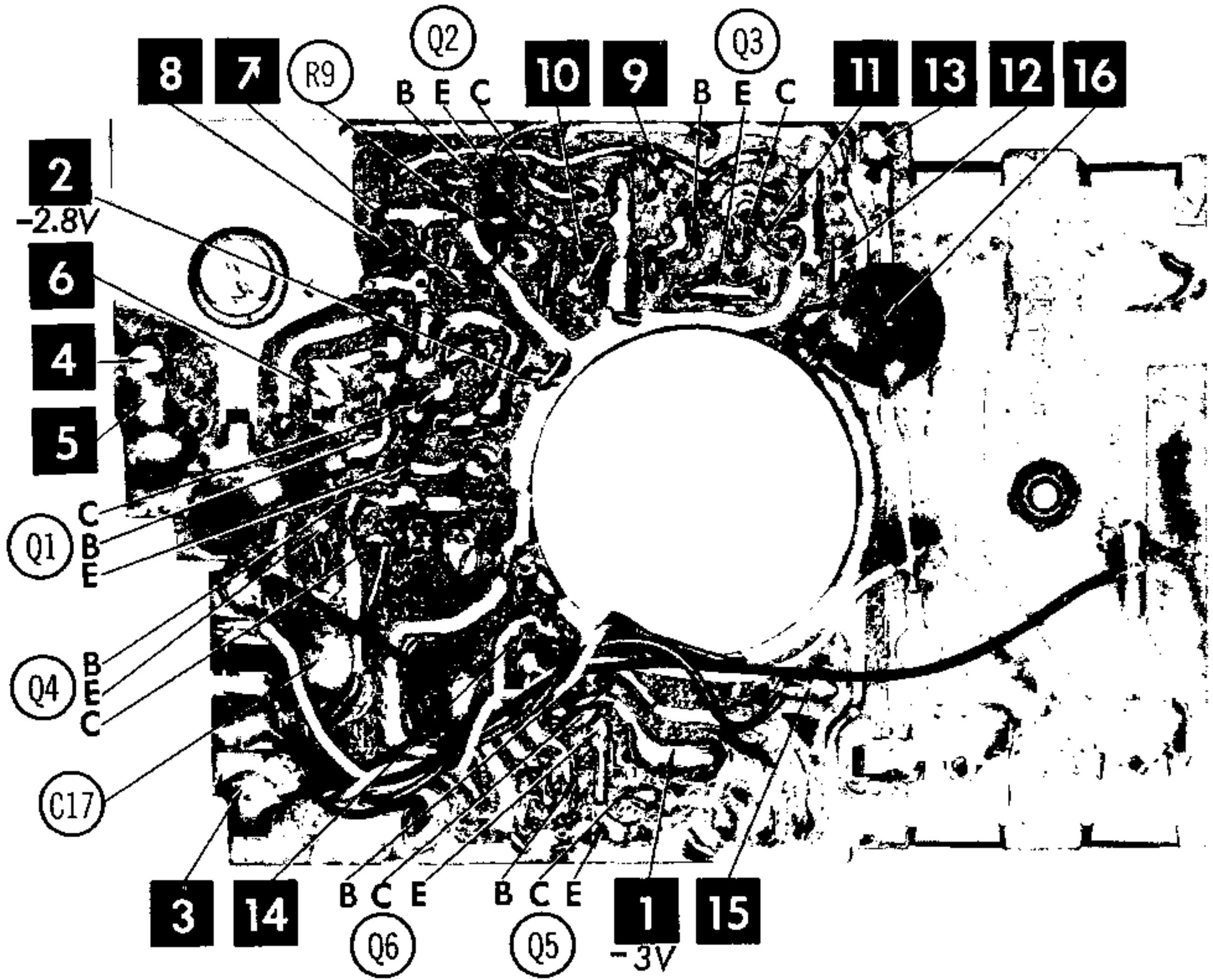
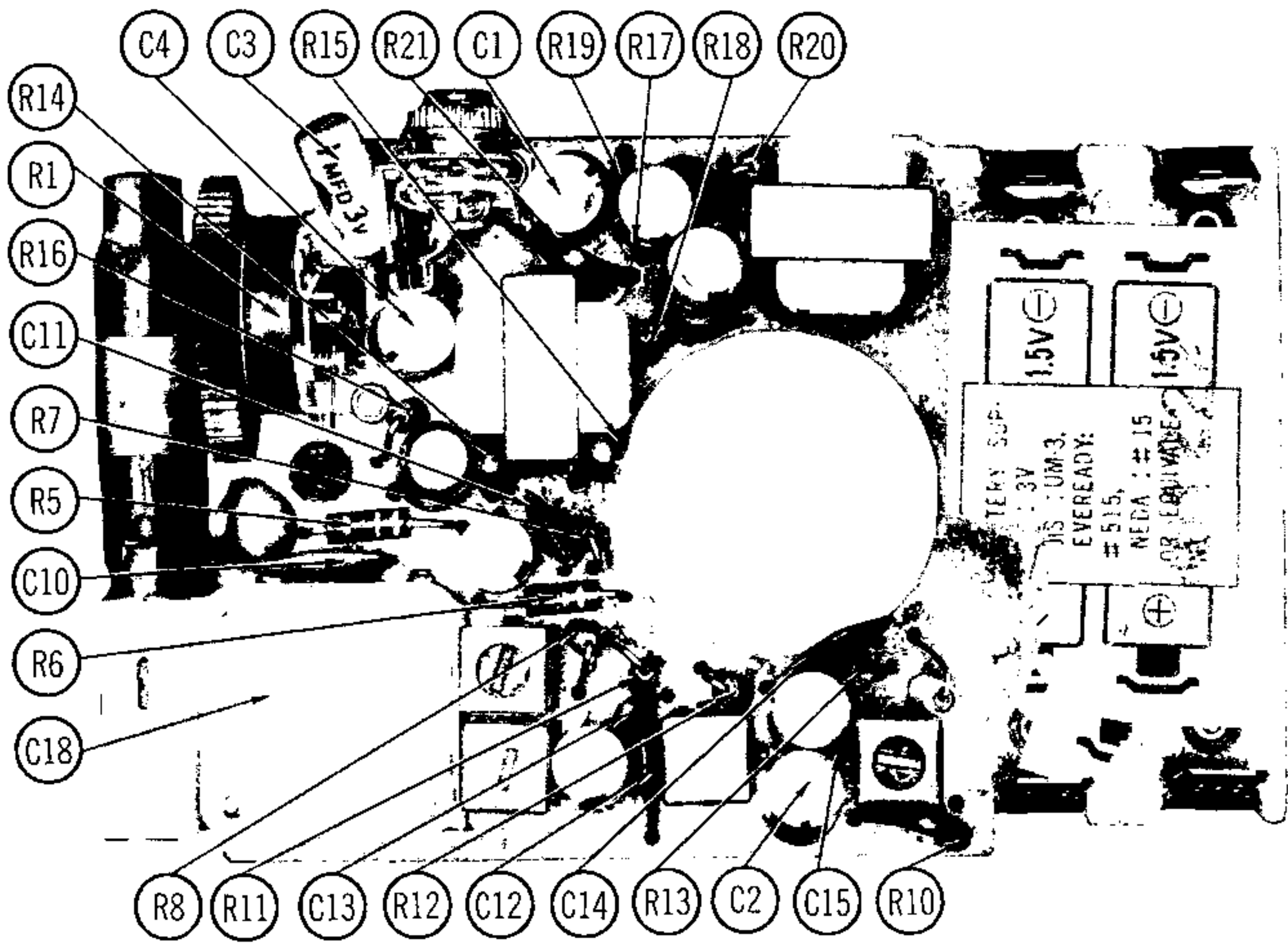
© Howard W. Sams & Co., Inc. 1966

1. Voltage measurements taken with vacuum tube voltmeter.
2. All controls set for normal operation, no signal applied.
3. Measured values are from socket pin or terminal to common ground.
4. All terminals viewed from bottom unless otherwise designated.
5. Numbers assigned to terminals may not be found on the unit.
6. Supply voltage maintained at rated value for voltage readings.
7. Resistance measurements not given because of the wide variation in internal resistance of transistor.

NC NO CONNECTION

10 ma NO SIGNAL
 25 ma NORMAL VOLUME

Resistors are 1/2 watt or less and rated 10% or 20% unless otherwise indicated.



PARTS LIST AND DESCRIPTION

(When ordering parts, state Model, Part Number, and Description.)

RESISTORS (Power and Special)

ITEM No.	RATING	REPLACEMENT DATA			ITEM No.	RATING	REPLACEMENT DATA		
		IRC PART No.	WORKMAN PART No.	AIWA PART No.			IRC PART No.	WORKMAN PART No.	AIWA PART No.
R19	150Ω (Cold)		GM 150						

COILS (RF-IF)

ITEM No.	USE	REPLACEMENT DATA			ITEM No.	RATING	REPLACEMENT DATA		
		AIWA PART No.	MEISSNER Part No.	MERIT PART No.			MILLER PART No.	WORKMAN PART No.	
L1	Loopstick Osc.								
L2	1st IF								
L3	2nd IF		16-9033	BC-569				2010	
L4	3rd IF		16-9034	BC-570				8810	
L5			16-9035	BC-571				8515	

TRANSFORMER (DRIVER)

ITEM No.	TURNS RATIO	REPLACEMENT DATA				ITEM No.	NOTES
		AIWA PART No.	MERIT PART No.	STANCOR PART No.	THORDARSON PART No.		
T1	1.5 1						

TRANSFORMER (AUDIO OUTPUT)

ITEM No.	IMPEDANCE	REPLACEMENT DATA				ITEM No.	NOTES
		AIWA PART No.	MERIT PART No.	STANCOR PART No.	THORDARSON PART No.		
T2	50Ω CT 8Ω						

SPEAKER

ITEM No.	TYPE	REPLACEMENT DATA		ITEM No.	NOTES
		AIWA PART No.	QUAM PART No.		
SP1	2 1/4" PM 6-8Ω				

BATTERIES

ITEM No.	VOLTAGE	REPLACEMENT DATA			ITEM No.	NOTES
		AIWA PART No.	BURGESS	EVEREADY		
M1	3V		930 or AL8 or H39	1015 or E91 or E9	M15R or Mn1500 or ZM9	2 Required

WIRING DATA

General-use Unshielded Hook-up Wire		Use DELDEN No. 8530 (Solid 22AWG)	Available in 12 Colors
		8524 (Stranded 22AWG)	
		8570 (Stranded 26AWG)	

TRANSISTORS

ITEM No.	ORIG. TYPE	USE	REPLACEMENT DATA			NOTES
			DELCO PART No.	GENERAL ELECTRIC PART No.	RCA PART No.	
Q1	2SA323	Converter	DS-25	GE-1	SK-3006	PNP
Q2	2SA302	1st IF Amp.	DS-25	GE-1	SK-3005	PNP
Q3	2SA203	2nd IF Amp.	DS-25	GE-1	SK-3005	PNP
Q4	2SB186	Driver	DS-26	GE-2	SK-3004	PNP
Q5	2SB187	Output	DS-26	GE-2	SK-3004	PNP
Q6	2SB187	Output	DS-26	GE-2	SK-3004	PNP

POWER RECTIFIERS & SIGNAL DIODES

ITEM No.	MEASURED CURRENT	ORIGINAL Part or Type No.	RECTIFIERS & DIODES		RECTIFIERS		
			GENERAL ELECTRIC PART No.	INTERNATIONAL RECTIFIER PART No.	MALLORY PART No.	RCA PART No.	SARKES TARZIAN PART No.
X1		1S425	1N34AS	1N34A			

ELECTROLYTIC CAPACITORS

ITEM No.	RATING	CAP.	VOLT.	REPLACEMENT DATA				
				AERVOX PART No.	CORNELL-DUBILIER PART No.	GENERAL ELECTRIC PART No.	MALLORY PART No.	SPRAGUE PART No.
C1		30	3	BCD3025	NLW25-3		TT3X25	TE-1055
C2		30	3	BCD3025	NLW25-3		TT3X25	TE-1055
C3		1	3	BCD3001	NLW1-6	MT1-1	TT3X1	TE-1050
C4		30	3	BCD3025	NLW25-3		TT3X25	TE-1055

CAPACITORS

ITEM No.	RATING	REMARKS	REPLACEMENT DATA					
			AERVOX PART No.	CENTRALAB PART No.	CORNELL-DUBILIER PART No.	ELMENCO PART No.	MALLORY PART No.	SPRAGUE PART No.
C10	.01		TTD-01	CK-103	HCZ3ROXR103P	CCD-103	TA110	TG-S10
C11	.01		TTD-01	CK-103	HCZ3ROXR103P	CCD-103	TA110	TG-S10
C12	.05		TTD-05	CK-503	HCZ3ROXR503P	CCD-103	TA150	TG-S50
C13	14		NPO-D1 15	DT2-15	CZ601CG150J	CCTO-150	CNO415	10TCC-Q15
C14	.05		TTD-05	CK-503	HCZ3ROXR503P	CCD-103	TA150	TG-S50
C15	8		NPO-D1 8.2	CK-503	HCZ3ROXR503P	CCD-103	TA150	10TCC-V82
C16	.05		TTD-05	CK-503	HCZ3ROXR503P	CCD-103	TA150	TG-S50
C17	.01		TTD-01	CK-103	HCZ3ROXR103P	CCD-103	TA110	TG-S10

CONTROLS

All wattages 1/2 watt, or less, unless otherwise listed.

ITEM No.	USE	RESISTANCE	REPLACEMENT DATA				
			AIWA PART No.	CENTRALAB PART No.	CLAROSTAT PART No.	CTS-IRC PART No.	MALLORY PART No.
R1	Volume & Switch	5000Ω	B16-214				

Ⓛ Use Original Knob.