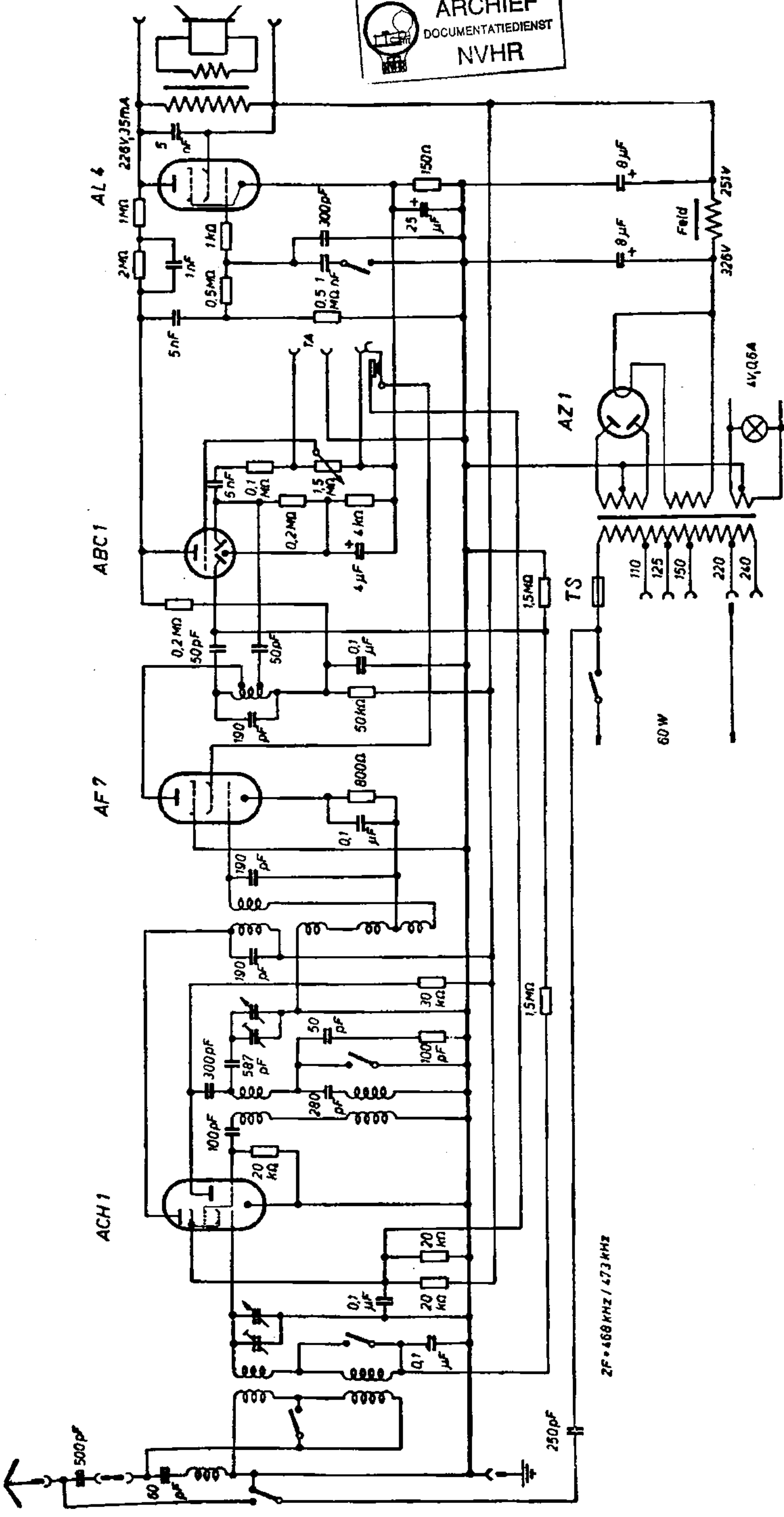
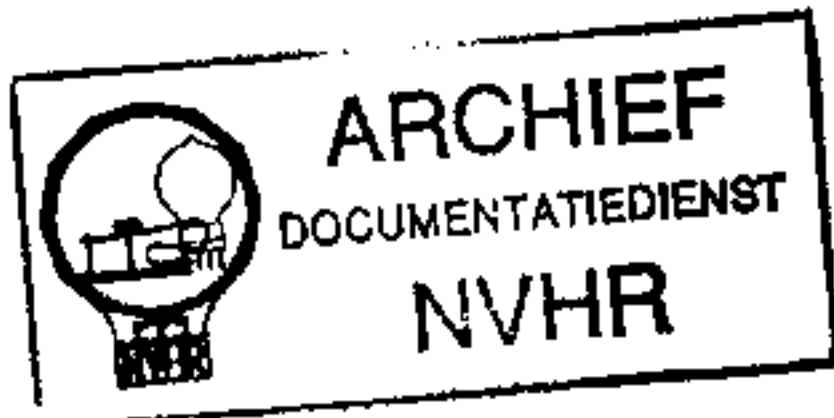


# AEG 57 W

Ned. Ver. v. Historie v/d Radio



2F = 468 KHZ / 473 KHZ