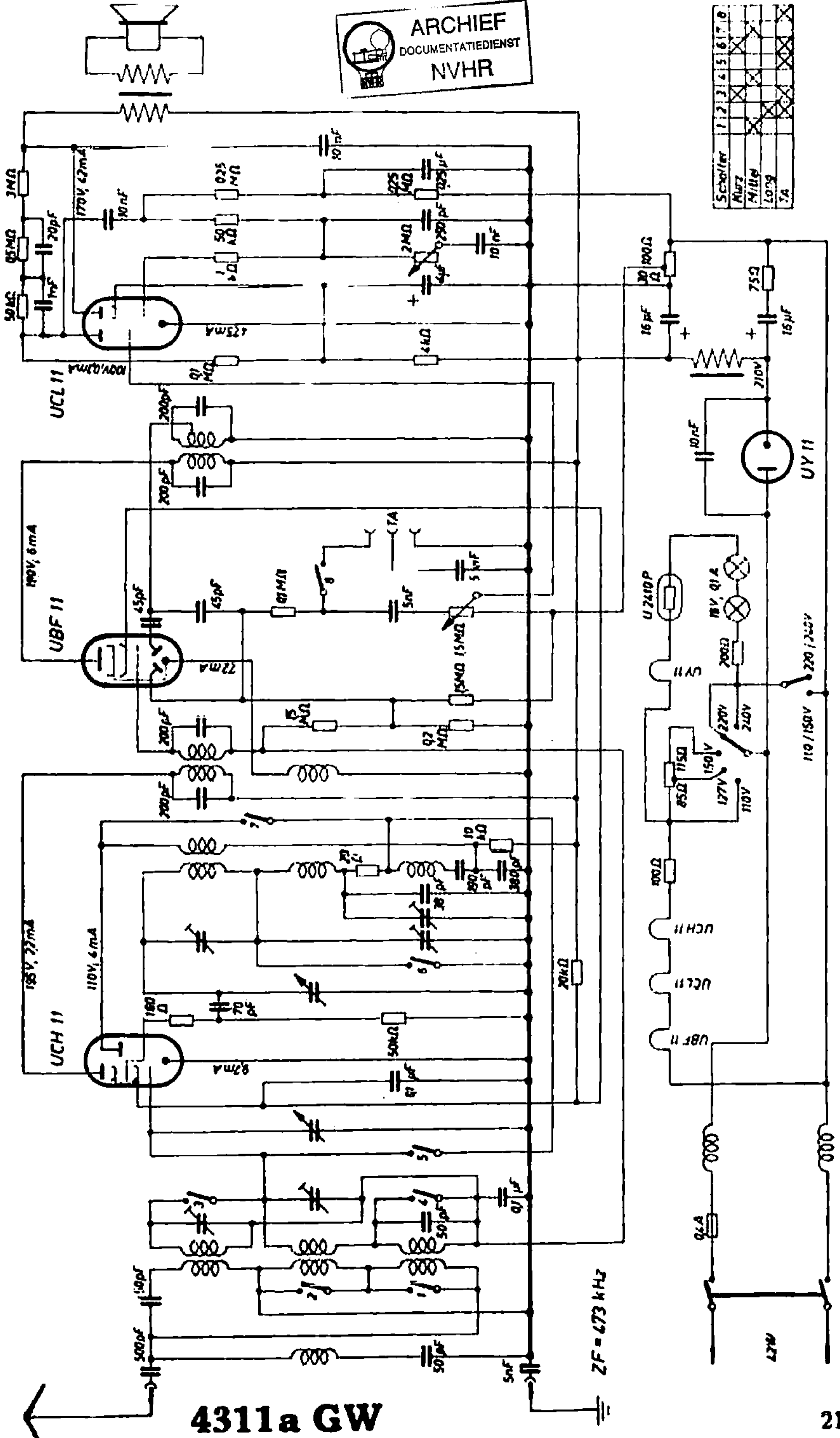


Schakelaar	1	2	3	4	5	6	7	8
U107								
U108								
U109								
U11								



4311a GW