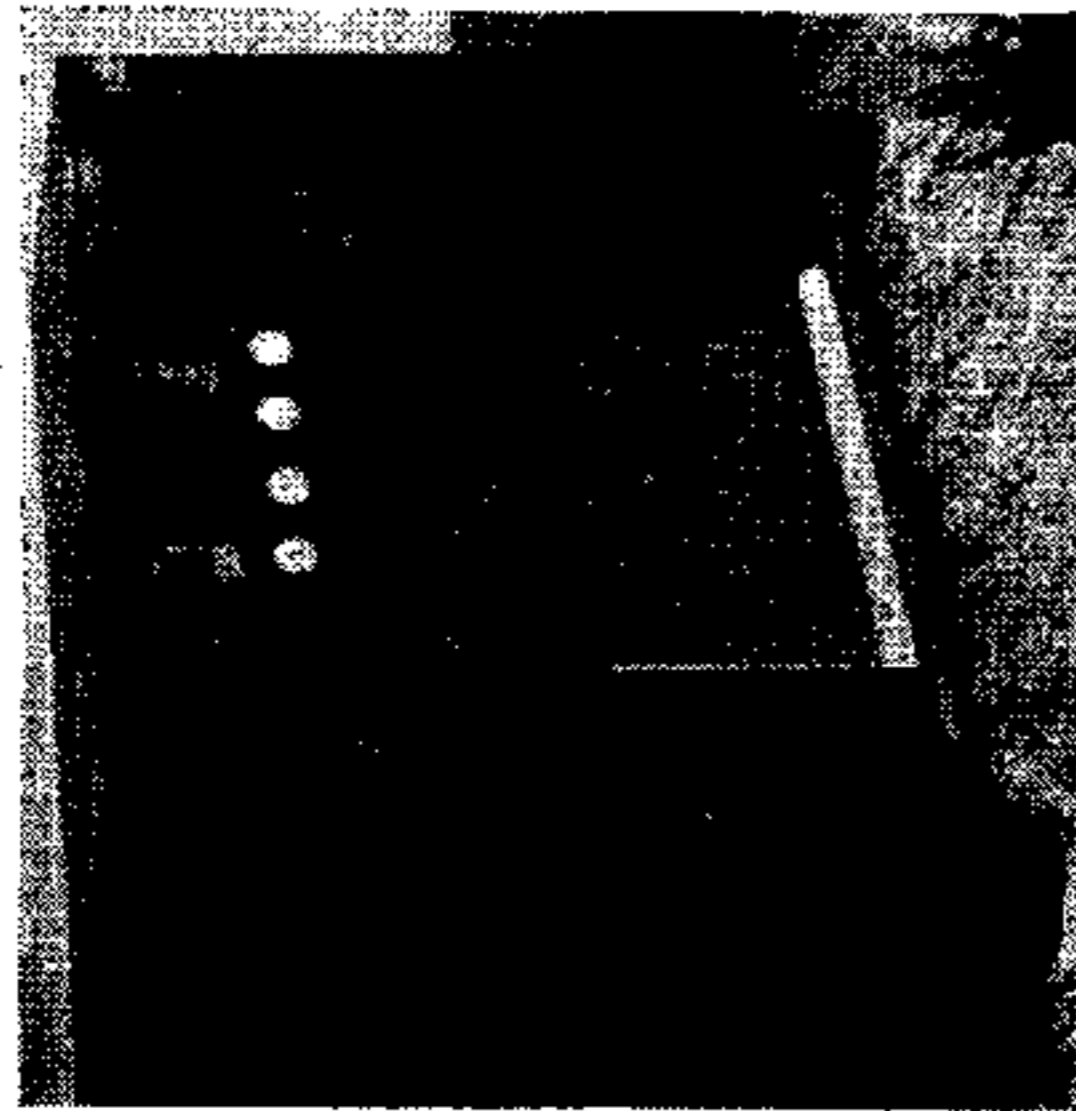
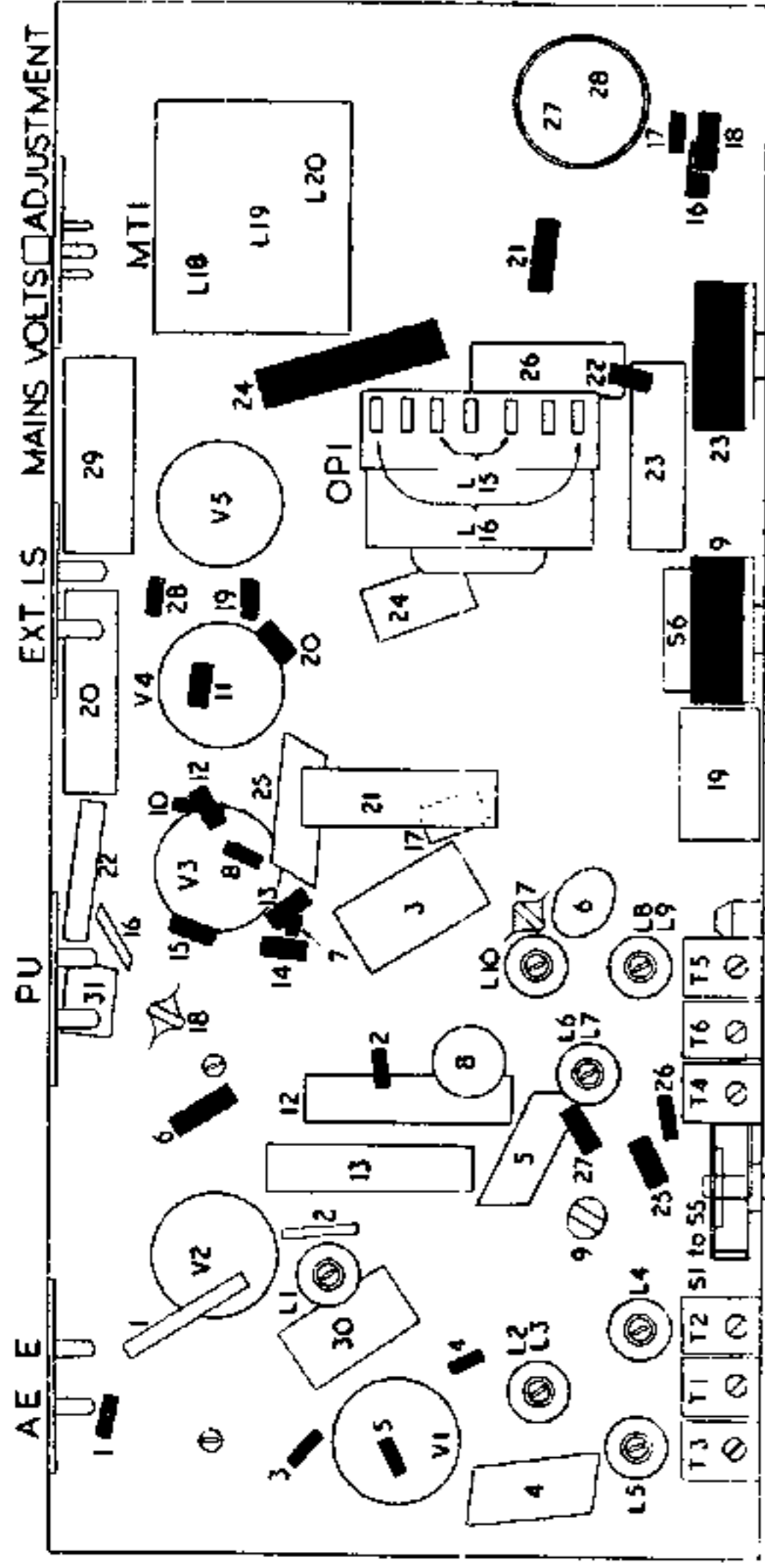
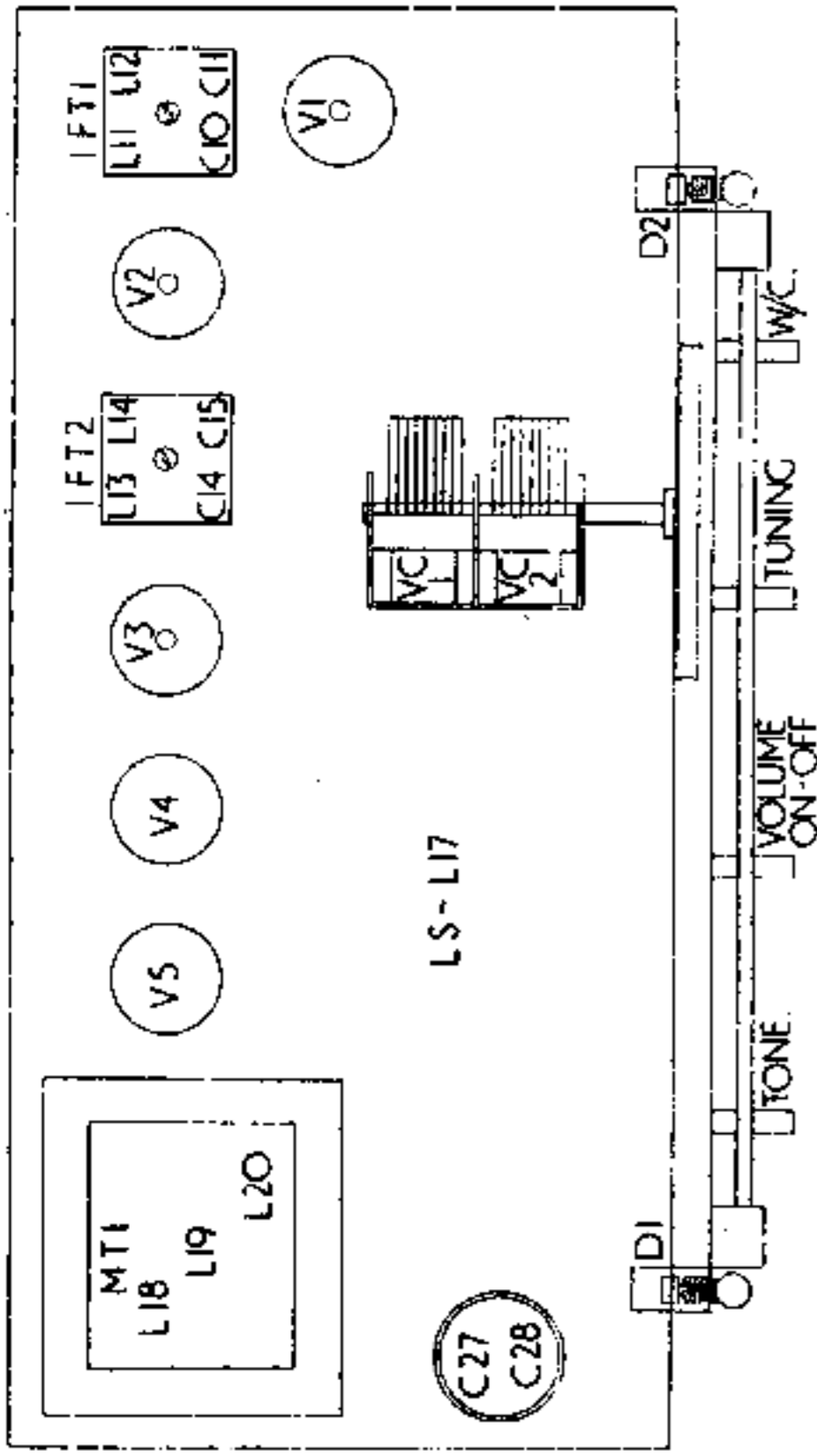


ACE 'MAYFAIR' MRG635, MRG635



Ned. Ver. v. Historie v/d Radio



RESISTORS

R	Ohms	Watts
1	2.2K	
2	10K	
3	22K	
4	120	
5	47K	
6	15K	
7	47K	
8	1M Potr. with switch	
9	2.4K	
10	68K or 100K	
11	220K	
12	1M	
13	1M	
14	1M	
15	1M	
16	150	
17	47	
18	1M	
19	470K or 100K	
20	68K or 100K	
21	1.5K	
22	680	
23	50K	
24	500	
25	120	
26	2.2K	
27	4.7K	
28	47	

Five valve, three-waveband radiogram incorporating Garrard RC70 single-speed, or RC72 three-speed, record changer. Australian walnut and eucalyptus veneer cabinet with two shelved and record storage compartments and sliding auto-changer drawer. For 190-250V 50c/s AC. Manufactured by Ace Radio, Ltd., Tower Works, Tower Road, London, NW10.

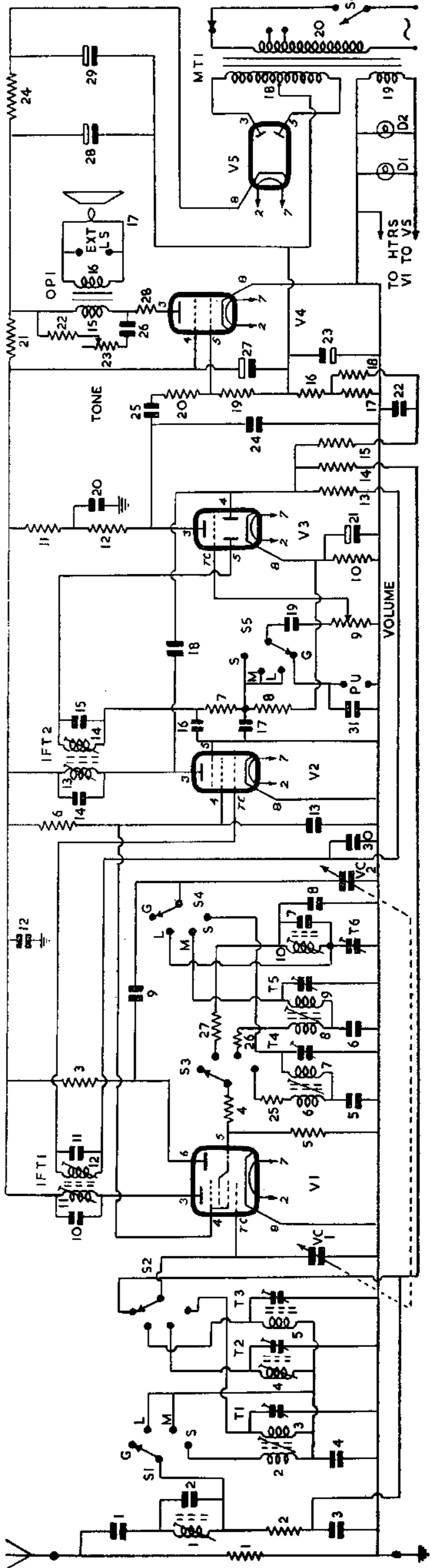
VI - 6K8GT	V2 - 6K7GT	V3 - 6Q7GT	V4 - 6V6GT	V5 - 6X5	DIAL LAMPS
G2 G4 115V 5.2MA A1 230V 4.5MA	G2 G3 115V 2.7MA A 230V 10MA	D A 50V .5MA	G2 230V 4.6MA A 255V 39MA	A 295V RMS H K 305V 68MA	 6.5V .3A

INDUCTORS

L	Ohms	Type
1	1.5	Very Low
2	Very Low	Very Low
3	Very Low	Very Low
4	1.5	Very Low
5	45	Very Low
6	.5	Very Low
7	1.25	Very Low
8	6.5	Very Low
9	17.5	Very Low
10	8	Very Low
11	8	Very Low
12	5.5	Very Low
13	5.5	Very Low
14	42.5	Very Low
15	Very Low	Very Low
16	2	Very Low
17	475	Very Low
18	475	Very Low

CAPACITORS

C	Capacity	Type
14	100pF	Silver Mica
15	100pF	Silver Mica
16	120pF	Silver Mica
17	120pF	Silver Mica
18	25pF	Ceramic
19	.05	Mica
20	.1	Tubular 500V
21	50	Electrolytic 12V or 25 Electrolytic 12V
22	.01	Mica
23	50	Electrolytic 12V or 25 Electrolytic 12V
24	250pF	Mica
25	.01	Mica
26	.04	Tubular 500V
27	16	Electrolytic } 450V
28	16	Electrolytic } 450V
29	8	Electrolytic 500V
30	.01	Mica
31	.1	Tubular 500V
32	250pF	Silver Mica



AERIAL signal is fed through C1 to IF filter L1 C2 and then switched by S1 to SW aerial coupling coil L2 or to bottom end of MW and LW grid tuned coils L4 L5. R1 is static drain between aerial and earth sockets.

Grid coils L2 (SW), L4 (MW), L5 (LW), trimmed by T1 T2 T3, are switched by S2 to aerial tuning capacitor VC2 and to gl of triode-hexode frequency changer V1. Cathode V1 is connected down to chassis, a small standing bias together with AVC voltages, decoupled by R14 C3, being applied through R2 S1 and grid tuned coils and S2 to gl.

On gram position of wavechange switch, aerial and gl of V1 are disconnected from tuned circuits, the latter being connected down to AVC line by S2 to maintain bias. Screen (g2, g4) voltage is obtained from R6 decoupled by C13. Primary L11 C10 of IFT1 is in the hexode anode circuit.

Oscillator is triode section of V1 in a shunt-fed anode-tuned circuit. Anode coils L7 (SW), L9 (MW), L10 (LW), which are trimmed by T4 T5 T6-C7 and padded by C5 C6 C8 respectively, are switched by S4 to oscillator tuning capacitor VC2 and thence coupled by C9 to oscillator anode, of which R3 is the load. Grid reaction voltages, developed inductively from L6 (SW), L8 (MW) and capacitively from padder C8 on LW, are fed through limiters R25 R26 R27 to S3 and switched through a common limiter R4 to oscillator grid of V1, R5 being leak resistor.

IF amplifier operates at 472 kc/s. Secondary L12 C11 of IFT1 feeds IF signal, AVC voltage and a small standing bias, decoupled by R13 C30, to gl of IF amplifier V2. Cathode and suppressor electrode are connected to chassis. Screen voltage is obtained in common with that of V1.

Primary L13 C14 of IFT2 is in the anode circuit.

Signal rectifier. Secondary L14, C15 of IFT2 feeds signal to one diode anode of V3. R8 is its load and R7 C16 C17 an IF filter.

AVC. Signal at anode of IF amplifier is fed by C18 to second diode anode of V3. Bottom of load resistor R15 is connected to junction of R16 R17 in negative HT return to chassis to provide AVC delay voltage and standing bias for grids V1 V2. Bias is decoupled by R18 C22 and AVC is decoupled by R13 C30 and R14 C3.

Pick-up. Sockets are fitted at rear of chassis for connection of pick-up on auto-changer unit. Signal is fed to S5 which in Gram position switches it through C19 to volume control R9. Radio break-through is prevented by disconnecting aerial, gl and oscillator grid and anode of V1 from their tuned circuits.

AF amplifier. Rectified audio signal across R8, or alternatively pick-up signal, is switched by S5 through C19 to volume control R9 in grid triode amplifier section of V3. Cathode bias is by R10 decoupled by C21. R12 is anode load and C24 anode RF by-pass capacitor. HT feed is decoupled by R11 C20.

Output Stage. Signal at anode V3 is fed by C25 through R20 to grid of beam-tetrode output amplifier V4. Cathode is earthed to chassis, hence valve is biased by connecting bottom end of grid load R19 to R16 R17, decoupled by C23, inserted in negative HT return to chassis. Screen voltage is from HT line to V1-V3, decoupling being by C27.

Primary L15 of output matching transformer OP1 is in the anode circuit.

Variable top-cut tone control is by R23 in conjunction with R22 C26 which are shunted across L15. Secondary L16 of OP1 feeds a 10in. pm speaker L17.

Sockets fitted to L16 allow connection of any low-impedance extension speaker.

HT is provided by indirectly-heated fullwave rectifier V5. Anode voltages are obtained from HT secondary L18. Heater current, in common with that of other valves, from LT secondary L19.

Resistance-capacity smoothing is by R24 C28 C29 and by R21 C27. RF decoupling of HT line to V1-V3 is provided by C12. Reservoir smoothing capacitor C29 should be rated to handle 100mA ripple.

Primary L20 of MT1 is tapped for inputs of 190-210, 210-230, 230-250V 50 c/s.

S6, ganged to volume control spindle, is the ON/OFF switch.

Auto-changer. Model MRG635 is fitted with a Garrard RC70 single-speed changer fitted with plug-in standard magnetic pickup and suitable for playing ten 10in. or ten 12in. records. Model MRGS635 is fitted with a Garrard RC72 three-speed changer with turnover plug-in high-fidelity magnetic pickup having permanent sapphire stylus. For maintenance and adjustments to either of the above units reference should be made to the appropriate Garrard booklet.

Chassis removal. Pull off four control knobs and remove rear panel by undoing six wood screws. Unsolder LS leads from tags on speaker. Loosen two chassis and base-cover fixing bolts accessible from front of cabinet through opened auto-changer drawer. Undo nuts securing rear section of chassis shelf to support rails on sides of compartment.

With auto-changer drawer fully open and record spindle removed, carefully slide chassis with rear panel attached backward sufficiently to give clearance to control spindles. Then lower and tilt chassis and withdraw from cabinet. Finally, unsolder gram motor leads—one from OP1 tag panel and the other from ON/OFF switch.

TRIMMING INSTRUCTIONS

Apply signal as stated below	Tune receiver to	Trim in order stated for maximum output
(1) 472 kc/s to gl of V1 via .01mF	S/C VC2	Cores L14, L13, L12, L11
(2) 150kc/s to aerial socket via dummy AE	2000m	Core L10, L5
(3) 300kc/s as above	1000m	T6, T3
(4) 600kc/s as above	500m	Cores L8/9, L4
(5) 1.5mc/s as above	200m	T5, T2
(6) 6 mc/s as above	50m	Cores L6/7, L2/3
(7) 15mc/s as above	20m	T4, T1